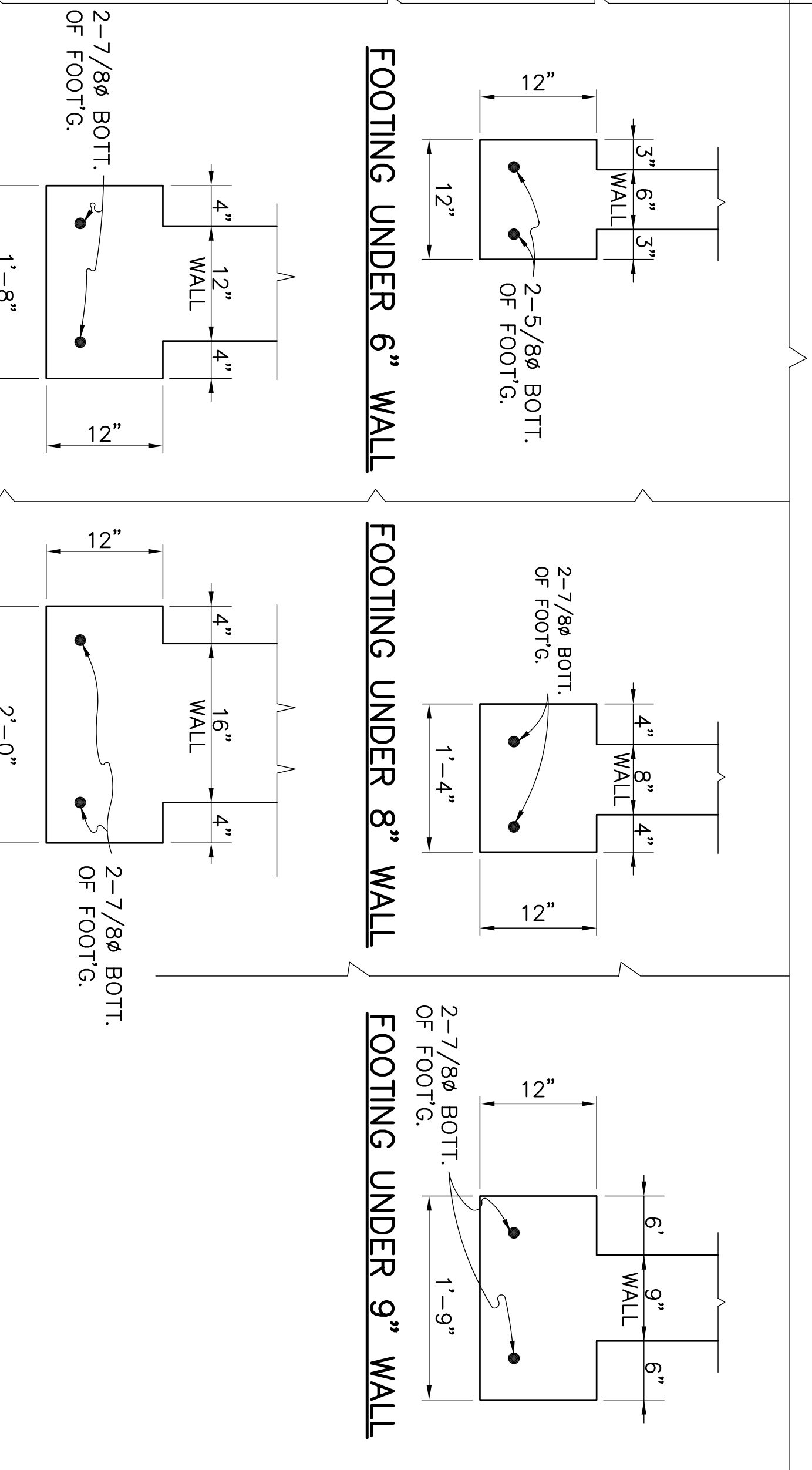
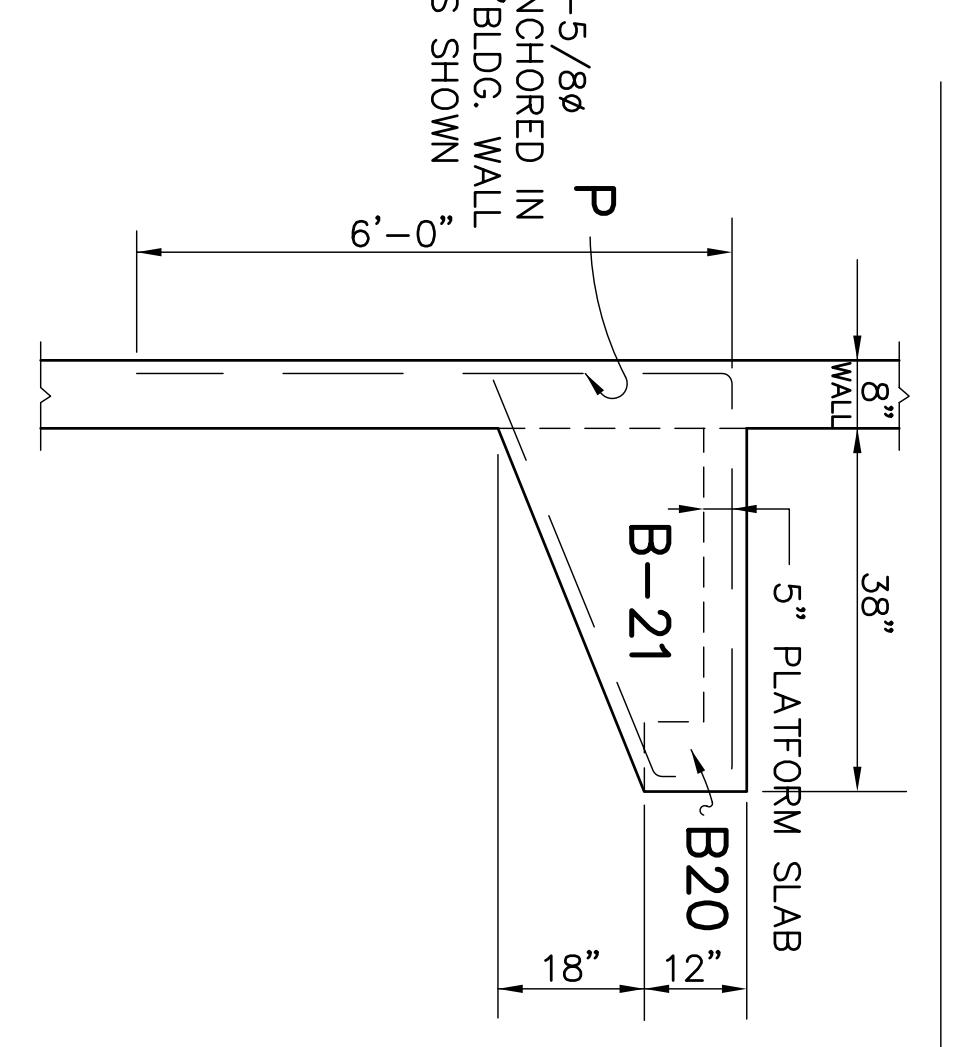
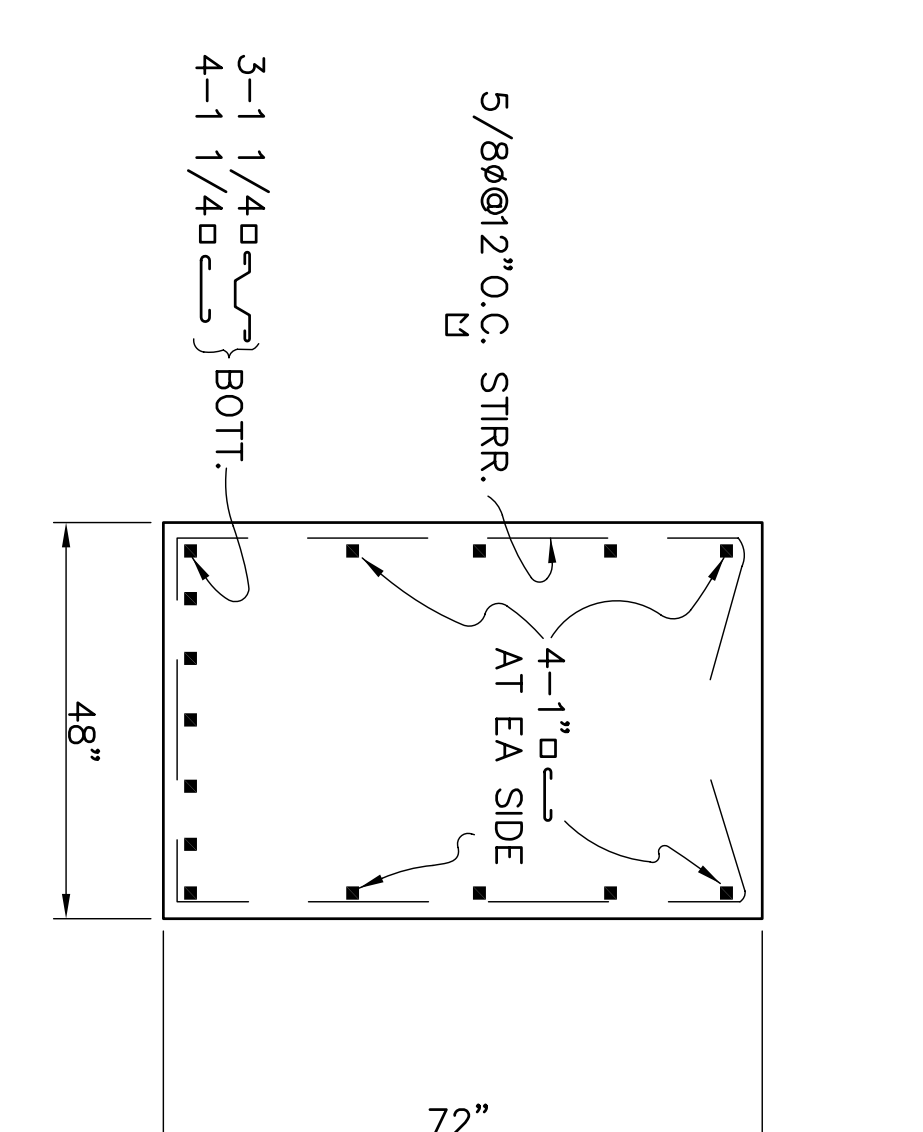
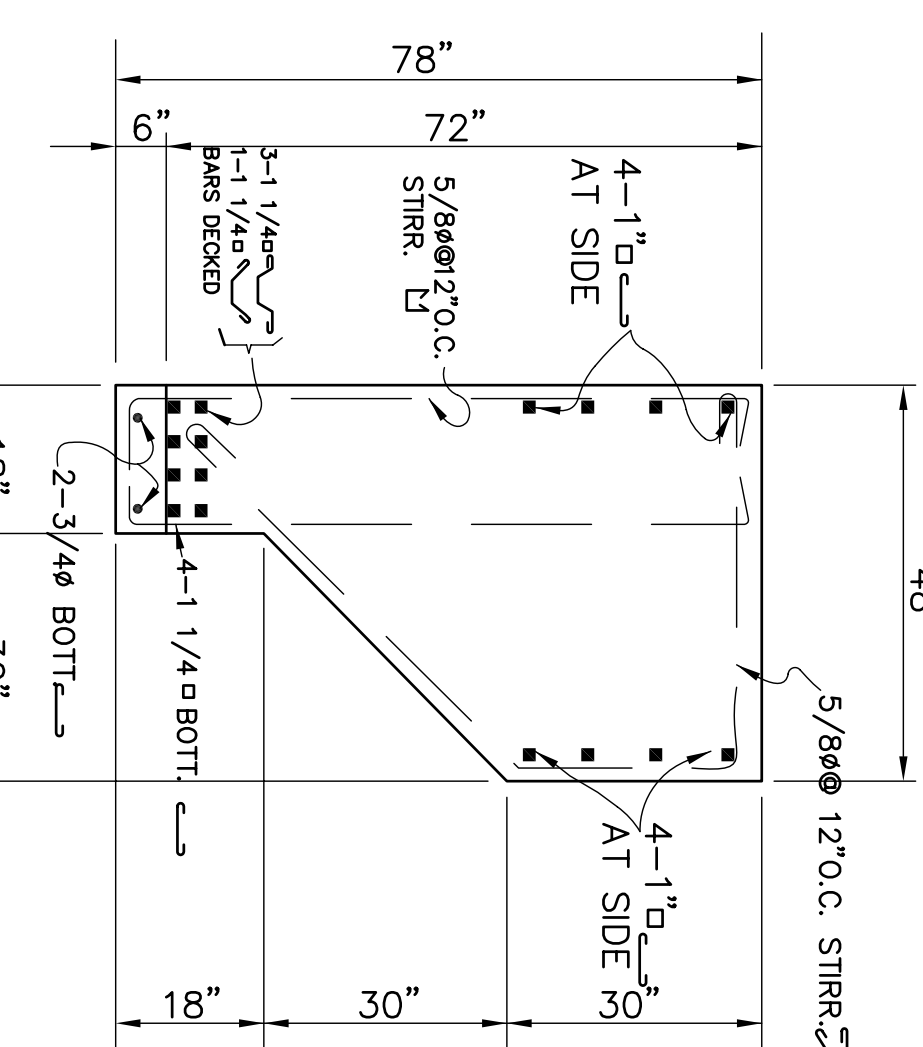
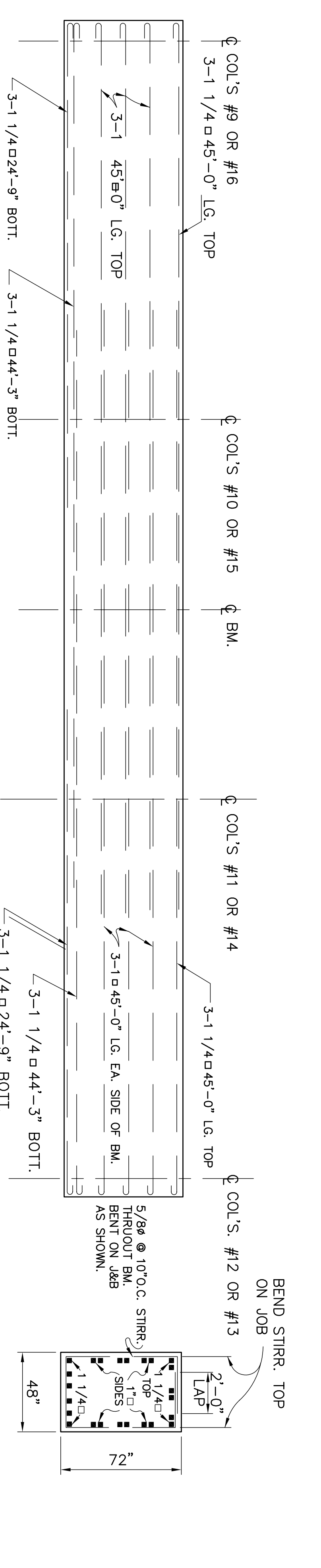
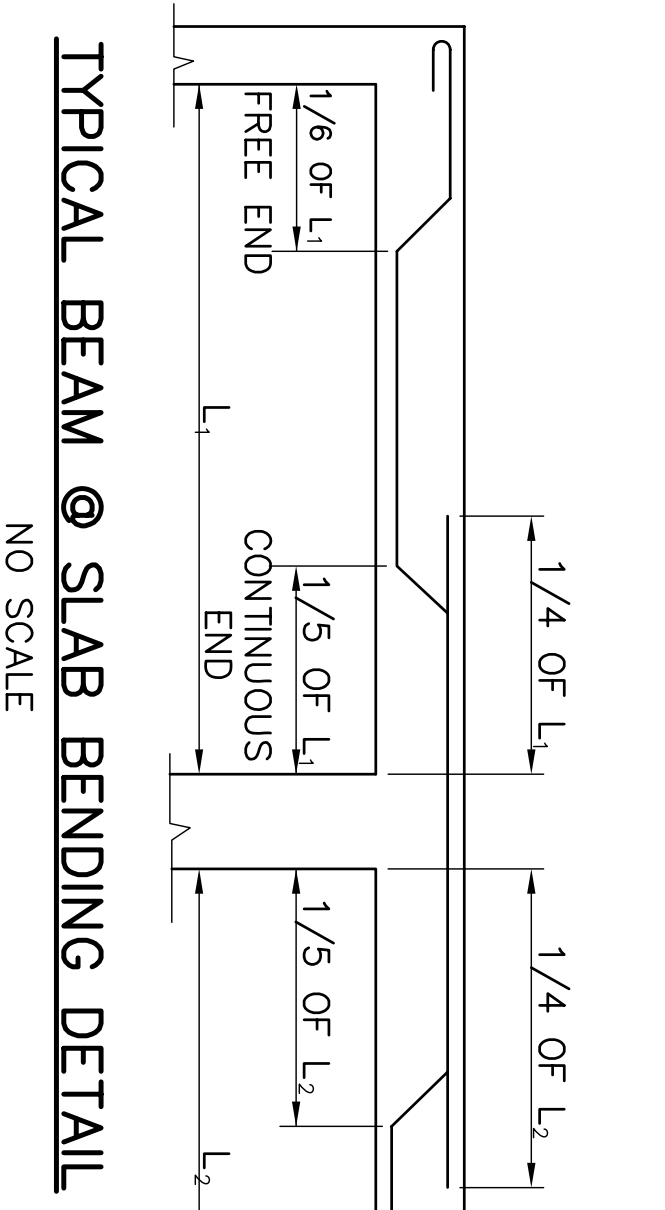
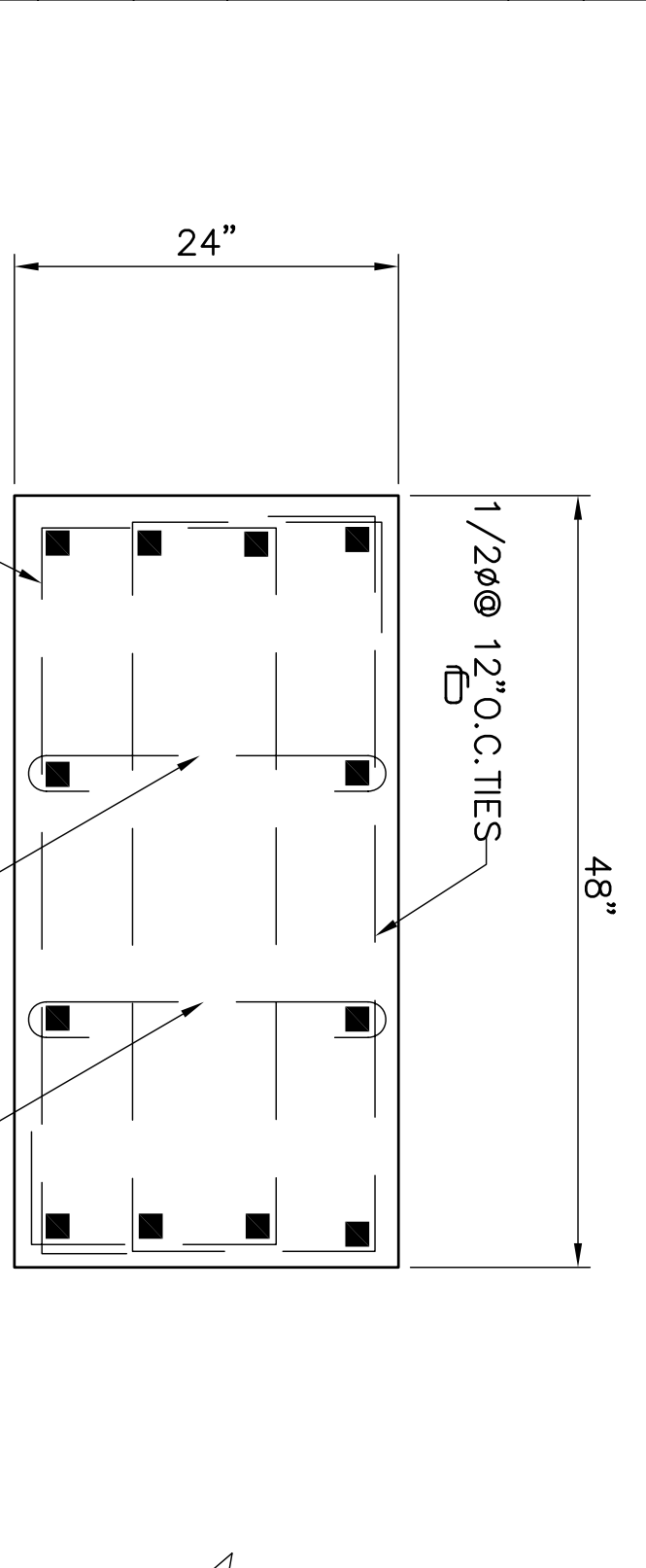


COLUMN SCHEDULE

LOCATION	COL. NO.	1-2-3-5	4	6	7A-7B	8	9	10-11-12	13	14-15	16	17-18
1ST FLOOR	LOAD SIZE	64.0k	119.0k	119.0k	46.0k	20.0k	458.0k	458.0k	458.0k	458.0k	458.0k	108.0k
	VERT. REIN. TIES	16 #16 4-7/8# 3/5# @ 20" O.C.	18 #24 6-1" #8 3/5# @ 20" O.C.	18 #24 6-1" #8 3/5# @ 20" O.C.	12 #13 4-3/4# 3/5# @ 20" O.C.	12 #13 4-3/4# 3/5# @ 20" O.C.	24 #48 12-1 1/4" 1/2# @ 20" O.C.	24 #48 12-1 1/4" 1/2# @ 20" O.C.	24 #48 12-1 1/4" 1/2# @ 20" O.C.	24 #48 12-1 1/4" 1/2# @ 20" O.C.	24 #48 12-1 1/4" 1/2# @ 20" O.C.	18 #36 6-1 1/4" 3/5# @ 20" O.C.
	NO. & SIZE	8-5/8# @ 2'-0"	12-3/4# @ 2'-0"	12-3/4# @ 2'-0"	6-3/8# @ 2'-0"	6-3/8# @ 2'-0"	12-1 1/4" @ 2'-0"	12-1 1/4" @ 2'-0"	12-1 1/4" @ 2'-0"	12-1 1/4" @ 2'-0"	12-1 1/4" @ 2'-0"	6-1 1/4" @ 2'-0"
	PLINTH	SIZE NONE	NONE	NONE	NONE	NONE	4'-0" x 4'-0" 1-3"	4'-0" x 4'-0" 1-3"	4'-0" x 4'-0" 1-3"	4'-0" x 4'-0" 1-3"	4'-0" x 4'-0" 1-3"	3'-0" x 3'-0" 2-1"
	FOOTINGS	LOAD SIZE 3'-6" x 3'-6" 1'-9"	FOOTING COMMON WITH COL. #9 FOR REIN. SEE FOUNDN. PLAN DRWG. NO. D-15555	FOOTING COMMON WITH COL. #9 FOR REIN. SEE FOUNDN. PLAN DRWG. NO. D-15555	4.0k 3'-0" x 3'-0" 1'-6"	23.0k 2'-6" x 2'-6" 1'-6"	300.0k 10'-0" x 10'-0" 2'-6"	500.0k 10'-0" x 10'-0" 2'-6"	500.0k 10'-0" x 10'-0" 2'-6"	500.0k 10'-0" x 10'-0" 2'-6"	500.0k 10'-0" x 10'-0" 2'-6"	18.0k 5'-6" x 5'-6" 1'-8"

BEAM SCHEDULE FOR BEAMS SHOWN ON DRW'GS. NO. D-15555-D-15557 & D-15558

BEAM MARK	CONCRETE		REINFORCING		REMARKS
	W	D	No.	SIZE	
B-10	48"	72"	5/8#	STIRR.	FOR ARRANGEMENT OF REINFORCING & NO. OF BARS IN B-10 SEE ELEVATION OF BEAM ON THIS SHEET.
B-11	48"	72"	8 3 4 2	1 # 1 1/4 # 1 1/4 # 1 1/4 #	PROVIDE BOLTS FOR CRANE ANCHORAGE AS DIRECTED BY MANUFACTURER. SEE SECT. THRU BEAM ARRANGEMENT OF REINFORCING & SIZE OF BEAM.
B-12	48"	72"	8	1 1/4 #	SEE SECT. THRU BEAM #12 FOR ARRANGEMENT OF REINFORCING.
B-13	18"	36"	2	1 1/4 #	SEE ELEV. OF NORTH SIDE OF UNTANKING TOWER.
B-14	18"	36"	2	1 1/4 #	SEE ELEV. OF SOUTH SIDE OF UNTANKING TOWER.
B-15	18"	36"	4	1 1/4 #	SEE ELEV. OF UNTANKING TOWER.
B-16	18"	42"	2	7/8#	SEE SECT. THRU BEAM #16 FOR ELEV. OF NORTH SIDE OF UNTANKING TOWER.
B-17	18"	42"	2	7/8#	SEE SECT. THRU BEAM #17 FOR ELEV. OF SOUTH SIDE OF UNTANKING TOWER.
B-18	12"	16"	2	7/8#	SEE PLAN OF UPPER PLATFORM IN SHOP BLDG. DRWG. NO. D-15555.
B-19	8"	12"	1	3/4#	SEE PLAN OF UPPER PLATFORM IN SHOP BLDG. DRWG. NO. D-15555.
B-20	8"	12"	1	5/8#	SEE PLAN OF UPPER PLATFORM IN SHOP BLDG. DRWG. NO. D-15555.
B-21	12"	12"	3	5/8#	SEE SECT. THRU BEAM THIS SHEET.
B-22	24"	42"	3	3/4#	BEAMS UNDER BEAMS UNDER PLAN DRWG. NO. D-15555.



CONVERTED FROM  
 PAPER TO C.A.D.  
 \* NOT CHECKED \*

<b>REVISIONS</b> REV. DATE MF DR CK APP W.O.# DESCRIPTION 1 8-15-45 BEAM SCHED. FOR B-18 BAR CHANGED.		<b>ENDORSEMENTS</b> SIGNATURE DATE TO CAD BY C.I.T. O.C. D.S.O. DATE: 04/25/97 PHONE: (206) 467-6832 CONTACT: WETTE DAMISH		CITY OF SEATTLE <b>CITY LIGHT DEPARTMENT</b> APPROVED FOR CITY LIGHT DEPARTMENT SEE MICROFILM FOR SIGNATURES		BROAD STREET RECEIVING SUB <b>STRUCTURAL CRANE BUILDING</b> <b>COLUMN &amp; BEAM SCHEDULES &amp; MISC. DETAILS</b> DRAWING NO. D-15560 SCALE AS NOTED		SHEET OF CLASS	
---	--	---	--	--	--	---	--	-------------------	--