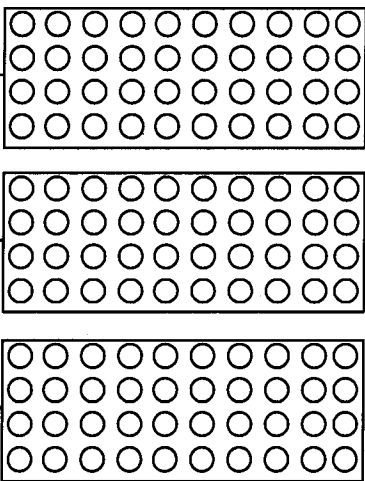
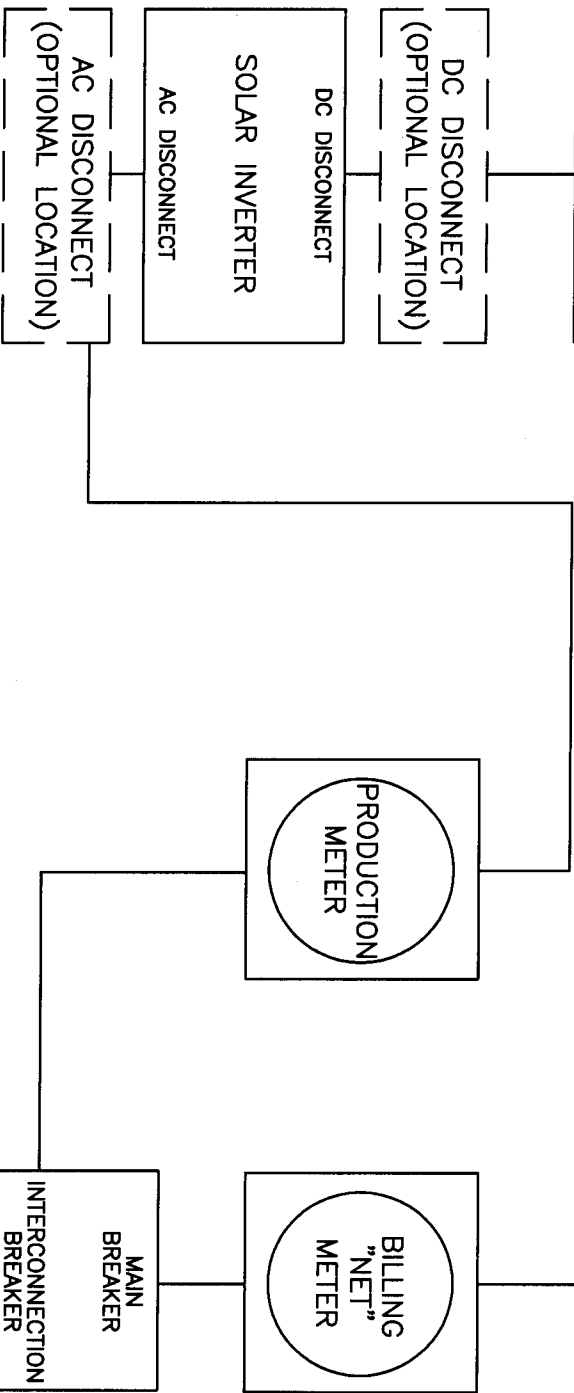


SOLAR PANELS or OTHER GENERATOR(S)



ELECTRICAL SERVICE FROM UTILITY

METER SOCKETS MUST BE LOCATED NEAR EACH OTHER AND OUTSIDE PER SEATTLE CITY LIGHT REQUIREMENTS FOR ELECTRICAL SERVICE CONNECTION



REQUIRED INFORMATION:

GENERATION SYSTEM INFO

- *CUSTOMER NAME AND ADDRESS
- *LOCATION OF GENERATOR, INVERTER AND PRODUCTION METER
- *MAXIMUM AMPERAGE AND VOLTAGE OUTPUT OF ARRAY
- *RATING OF DC DISCONNECT
- *RATING OF AC DISCONNECT
- *VOLTAGE OF INVERTER OUTPUT
- *IF APPLICABLE, BATTERY CHARGING FUNCTIONALITY

UTILITY SERVICE INFO

- *SERVICE VOLTAGE
- *RATING OF MAIN DISCONNECT
- *RATING OF INTERCONNECTION BREAKER

CUSTOMER GENERATION

DRAWN BY

WEH

5.1.09

DATE BY

5.8.09

FILENAME
CUSTGEN1

SHEET

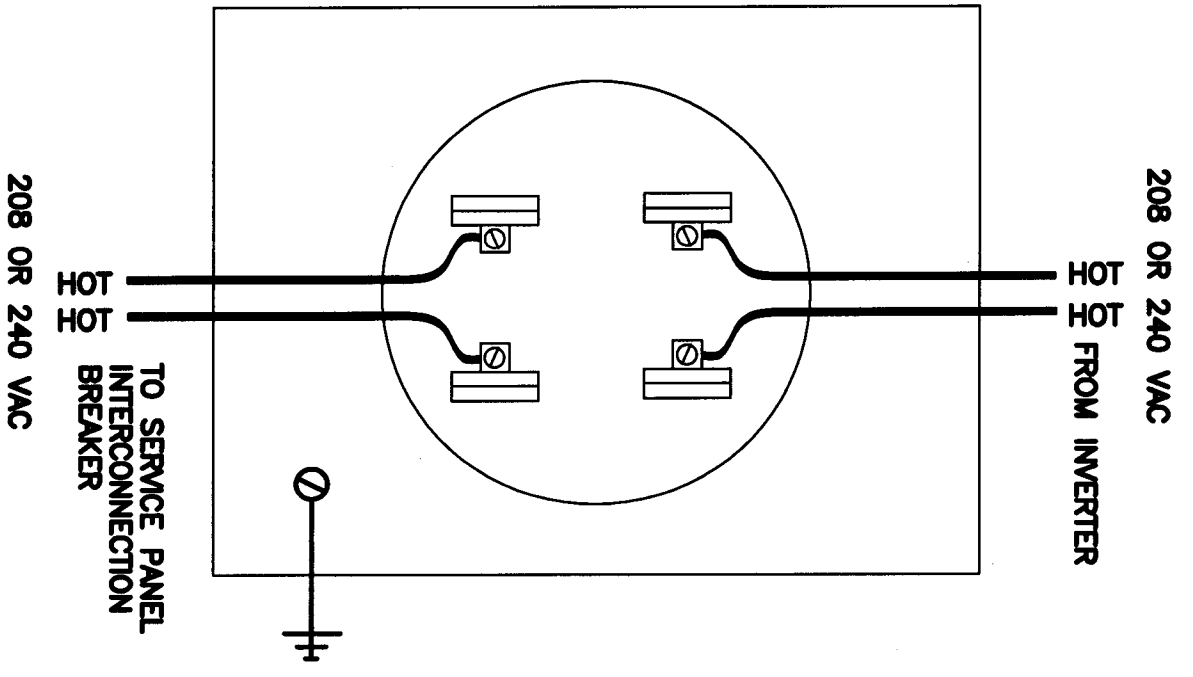
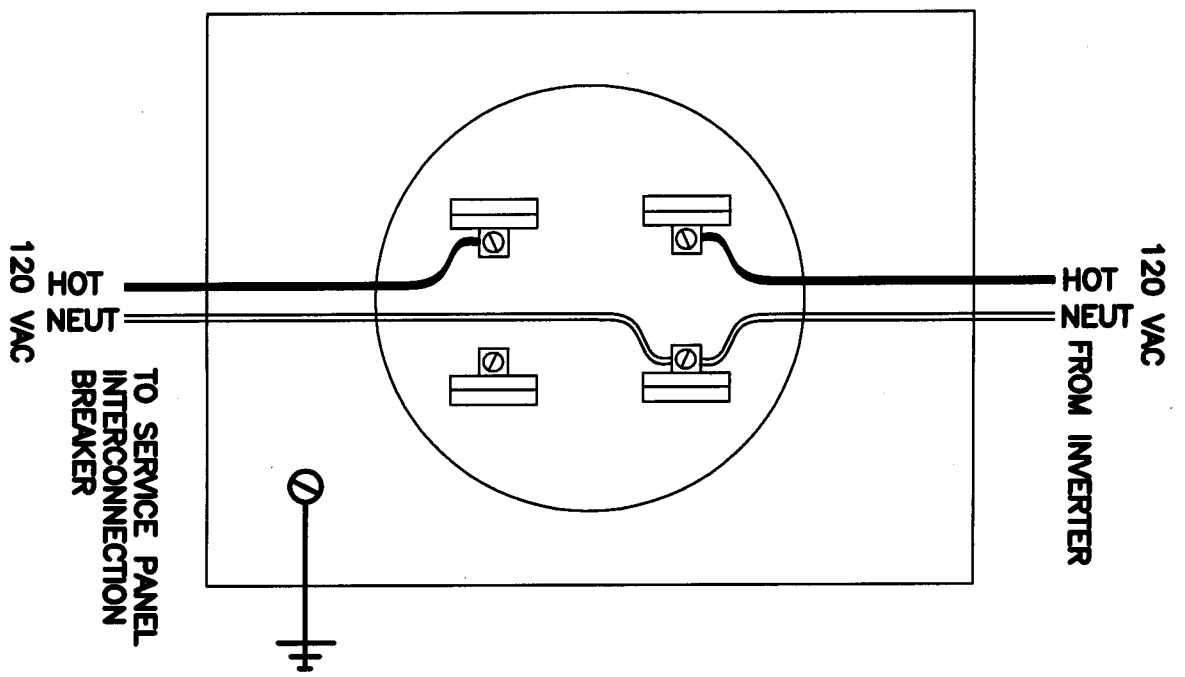
1 of 2

PROPERTY OF TECHNICAL METER
Seattle City Light makes no claims as to the accuracy of this map.
Use of this map constitutes an acknowledgement of same.

MAP TYPE **ONE LINE DRAWING**



CUSTOMER GENERATION



For battery backup systems, inverters with other than 2 wire outputs, or systems with City Light electrical services greater than 225 amps, contact your SCL Service Representative

NORTH OF DENNY: Candace Gruber 206.684.0791
 SOUTH OF DENNY: Dan Langdon 206.386.1678



PROPERTY OF TECHNICAL METER
 Seattle City Light makes no claims as to the accuracy of this map.
 Use of this map constitutes an acknowledgement of same.

MAP TYPE PRODUCTION METER SOCKET

DRAWN BY	WEH
DATE	5.1.09
BY	5.8.09

FILENAME
 CUSTGEN2