

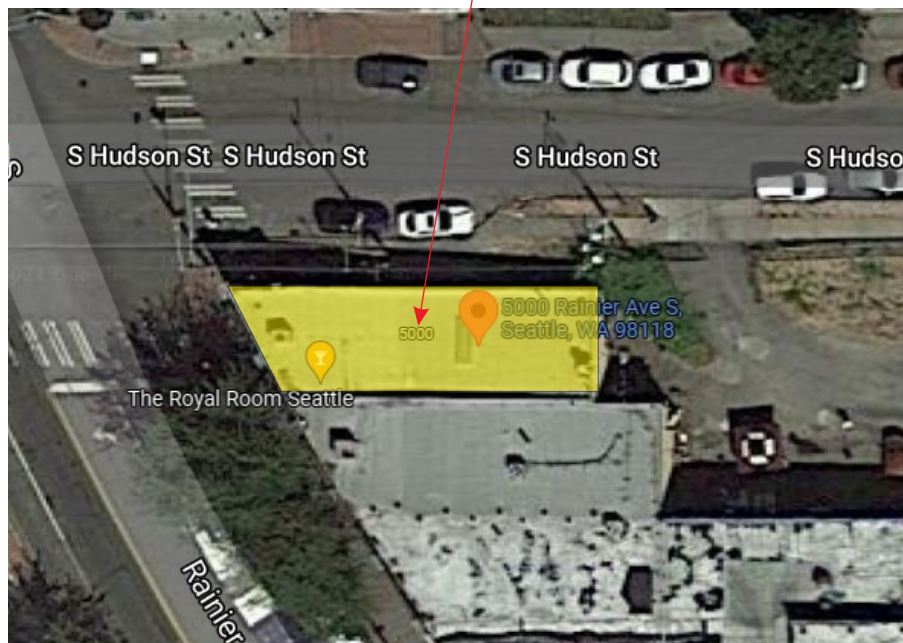
SITE ADDRESS  
5000 RAINIER AVE SOUTH  
SEATTLE WA

Existing Sign  
to remain as is

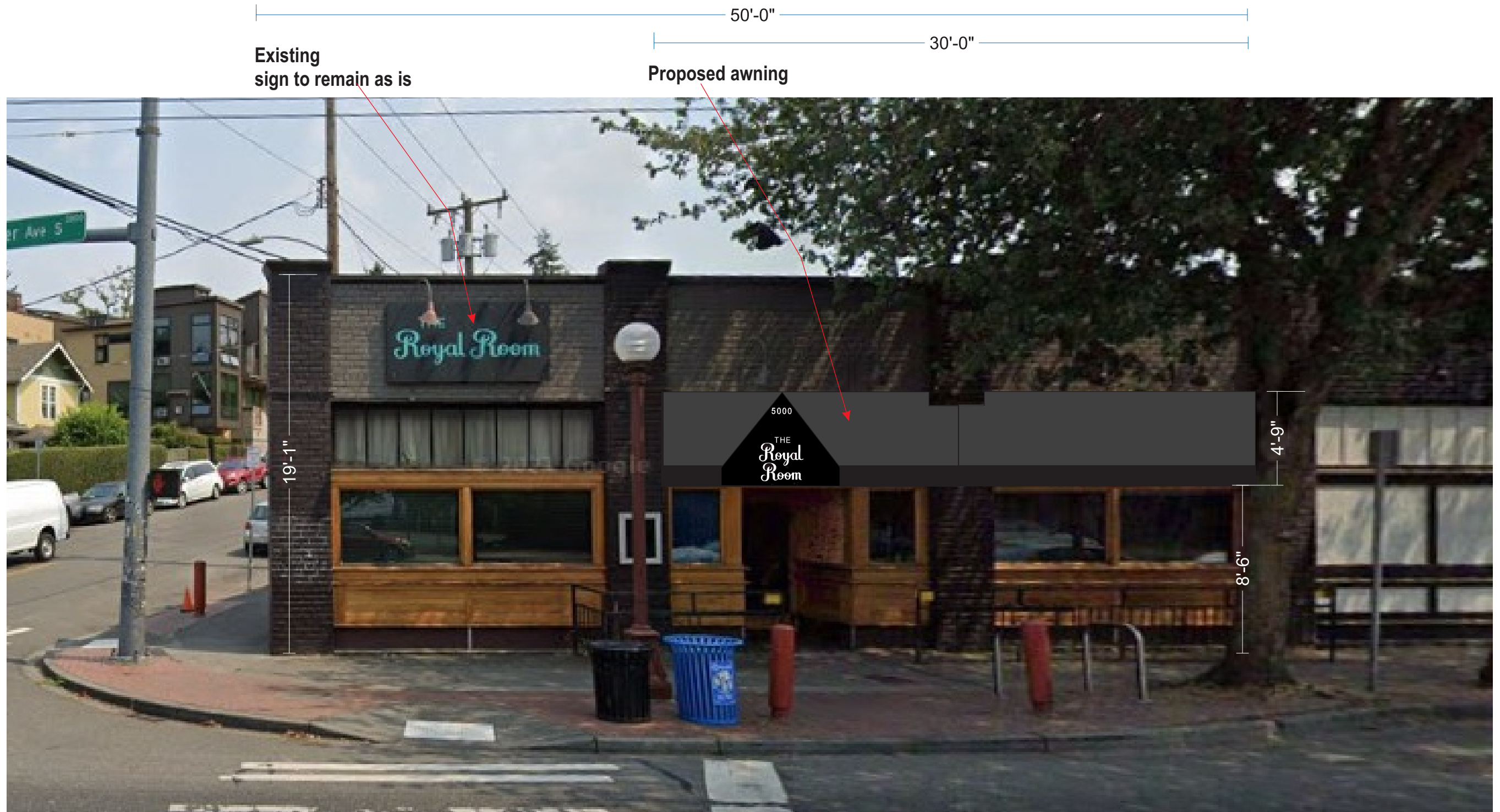
SITE ADDRESS  
5000 RAINIER AVE SOUTH  
SEATTLE WA

Proposed storefront  
front awning w/ graphics

Site Plan - Scale 3/32" = 1'-0"



Vicinity Map - NTS



Front Elevation - (West) - Scale 3/16" = 1'-0"



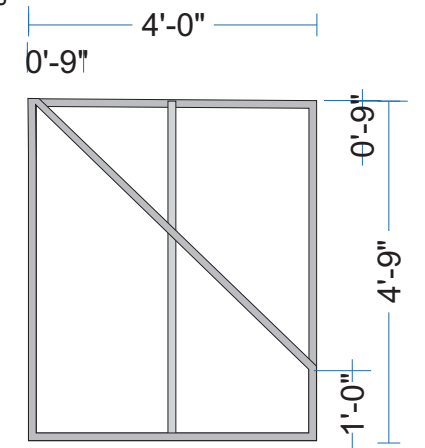
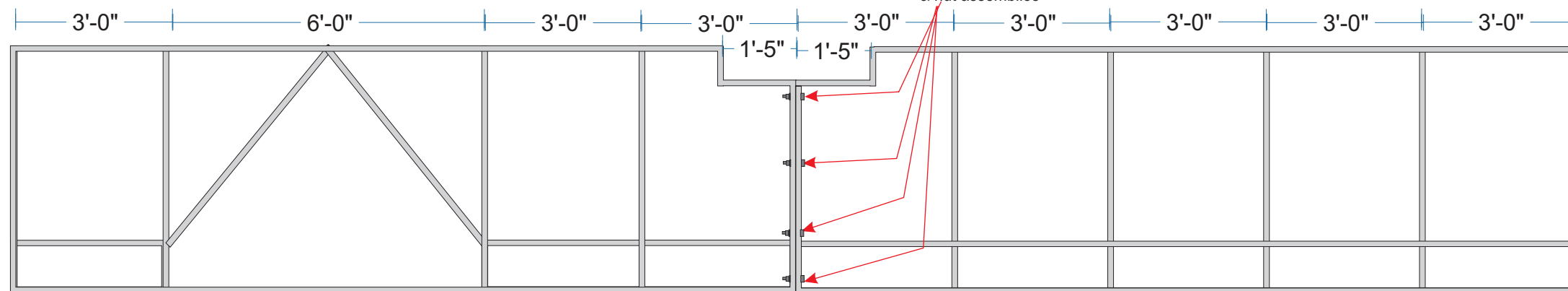
16" Black Weblon  
Awning fabric steel stitched  
to awning frames

Applied white vinyl graphics

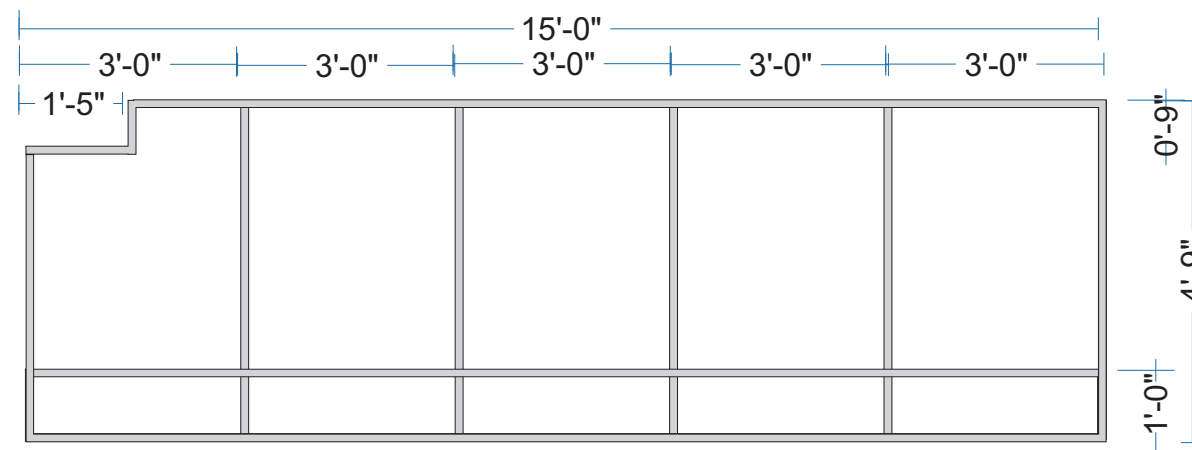
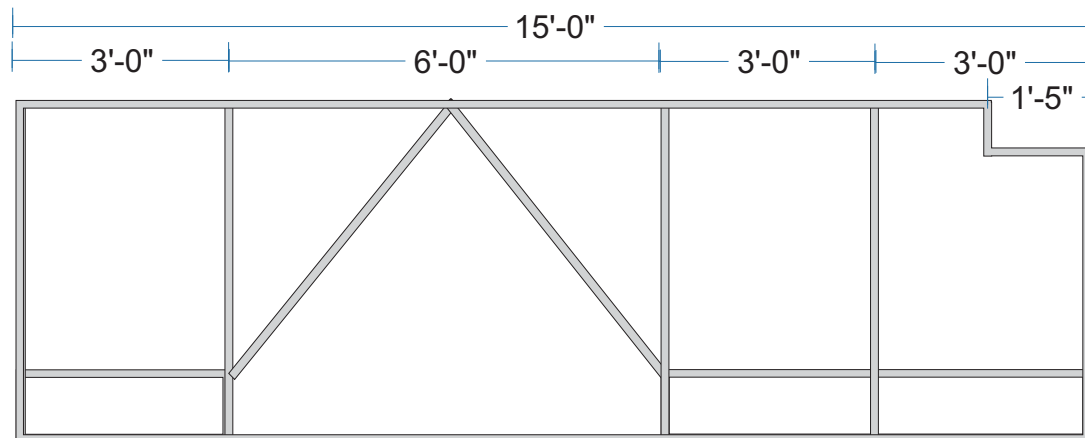
Through bolt awning  
frames together with  
3/8" x 3" bolts w/ washer  
& nut assemblies

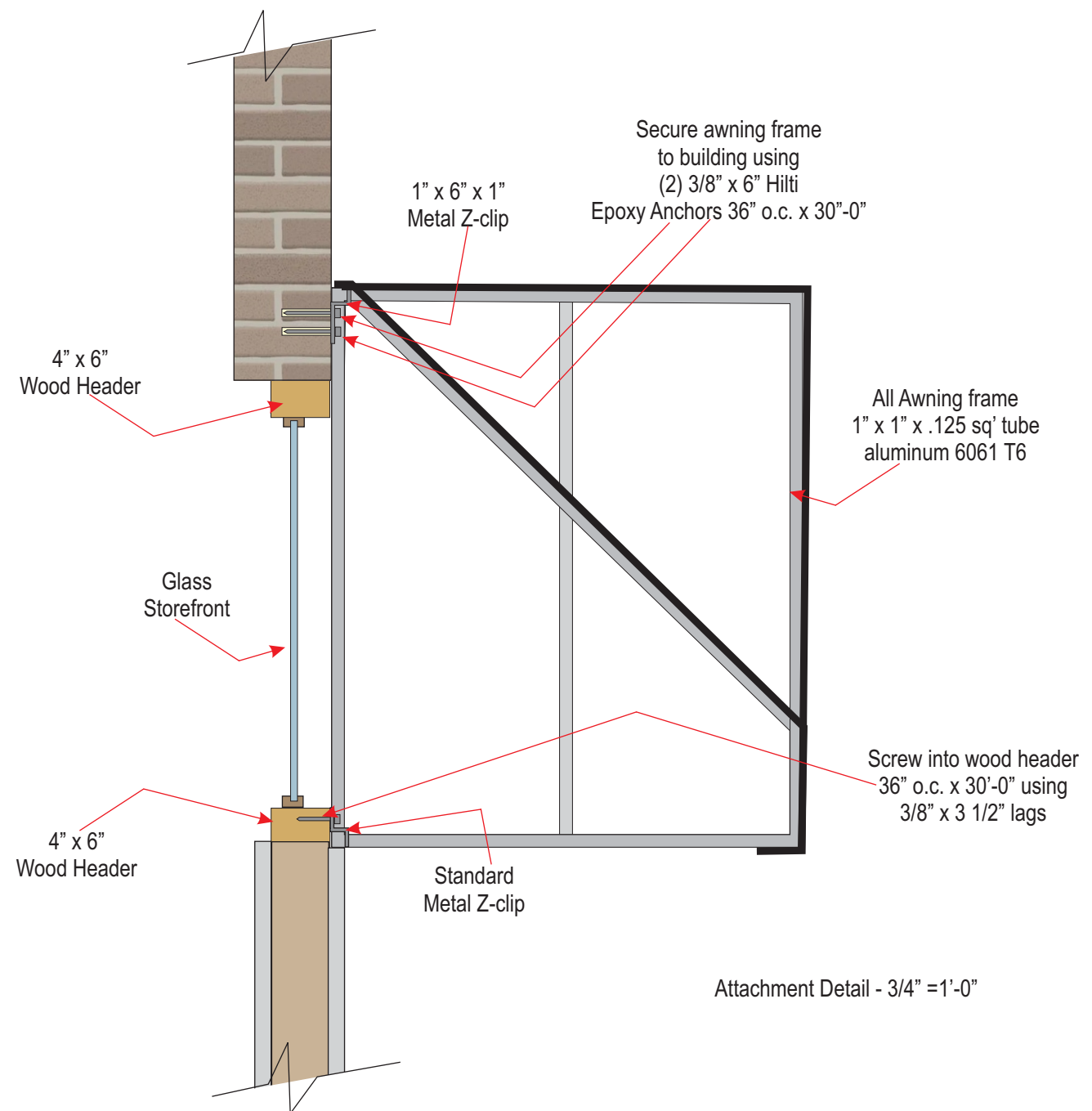
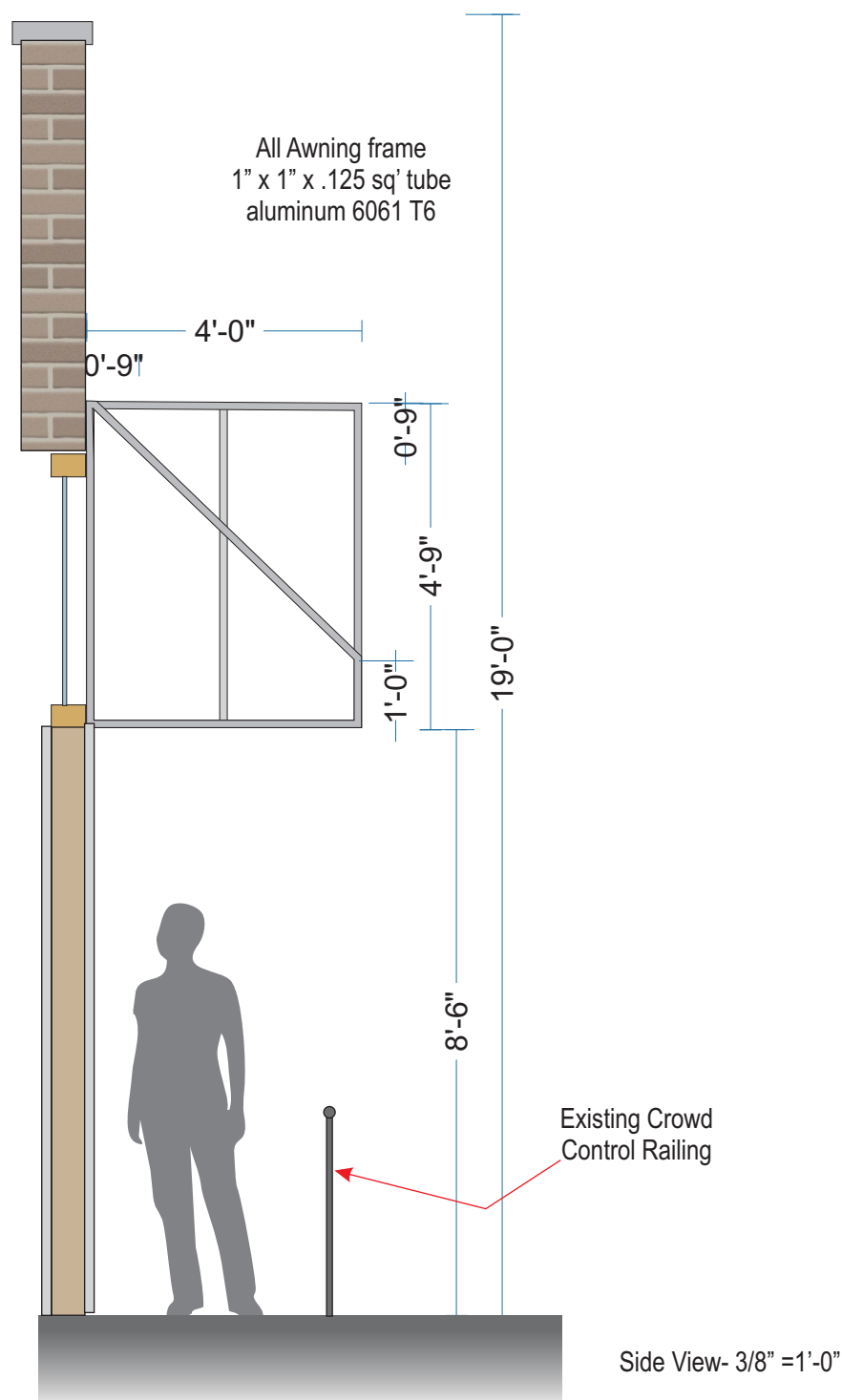
16" Black Weblon  
Awning fabric steel stitched  
to awning frames

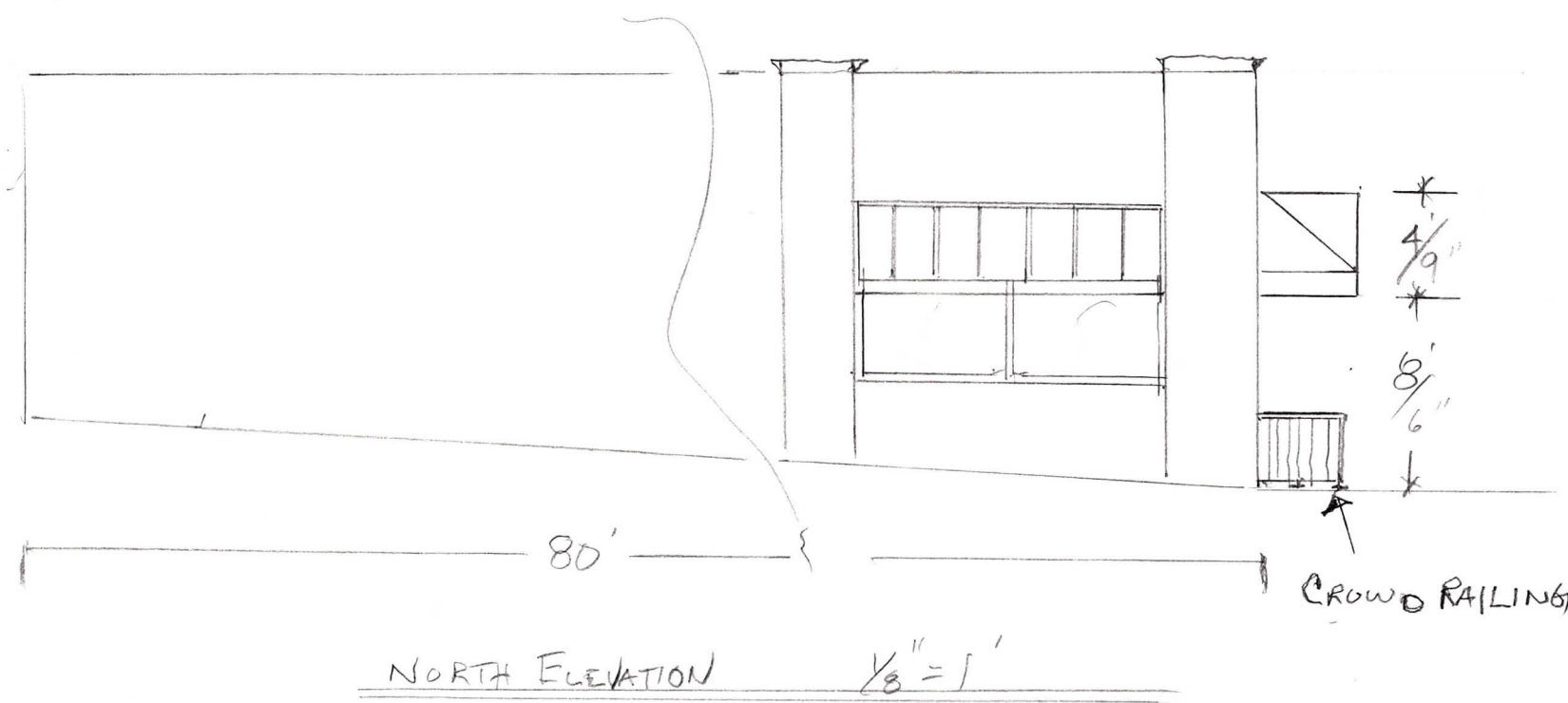
All Awning frame  
1" x 1" x .125 sq' tube  
aluminum 6061 T6



All Awning frame  
1" x 1" x .125 sq' tube  
aluminum 6061 T6







WELDED 1" SQ TUBE ALUMINUM  
6061-T6 1" X .125 WALL

