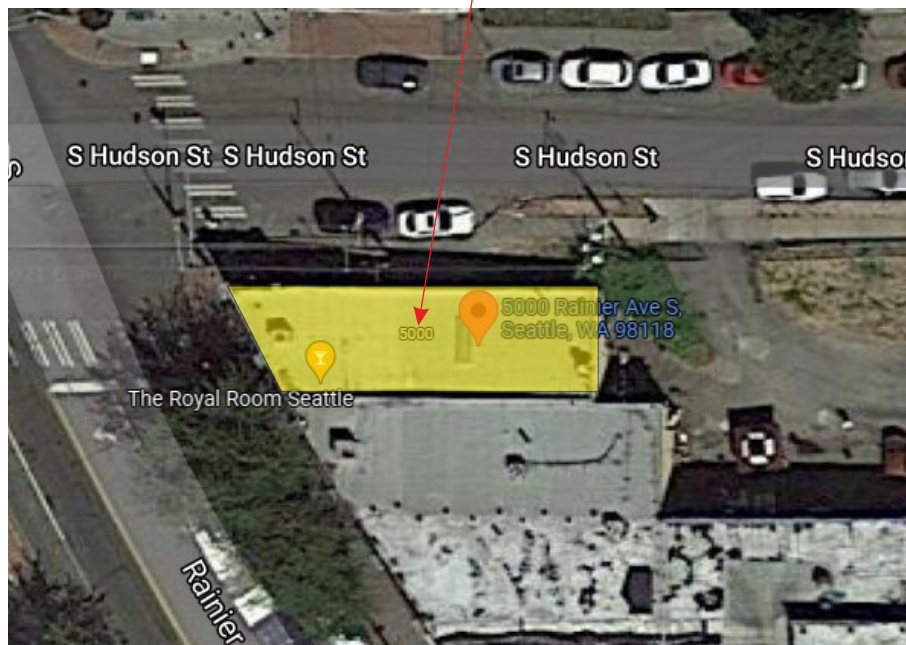
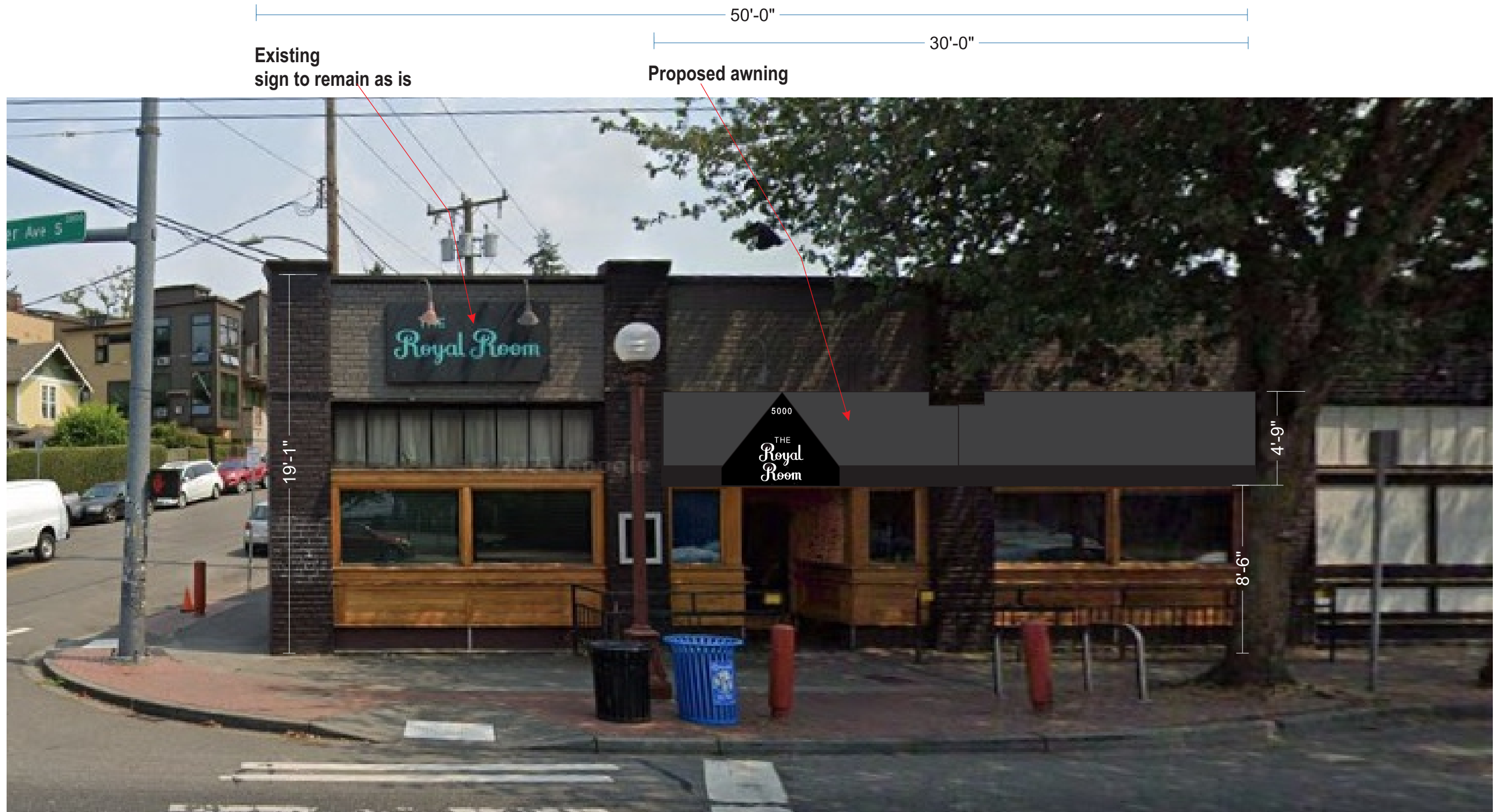


SITE ADDRESS
5000 RAINIER AVE SOUTH
SEATTLE WA



Vicinity Map - NTS

Site Plan - Scale 3/32" = 1'-0"



Front Elevation - (West) - Scale 3/16" = 1'-0"



THE
Royal Room

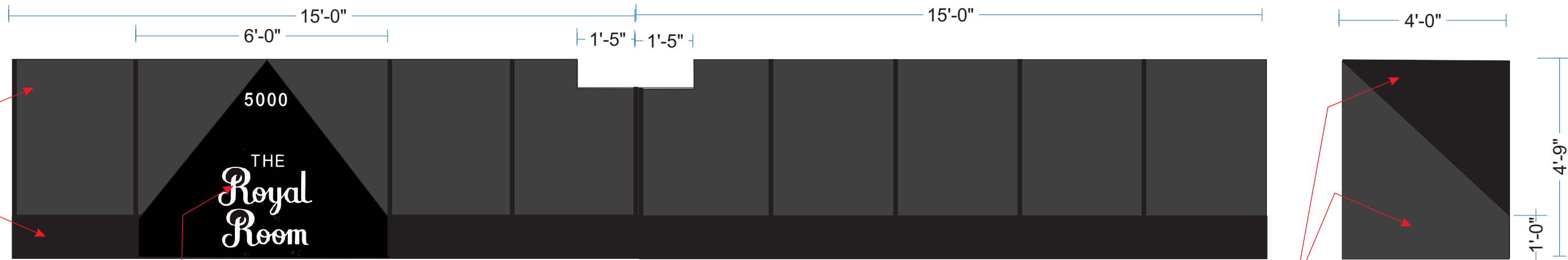




ESQ
ROYAL ESQUIRE CLUB

COMFORT
ZONE

P



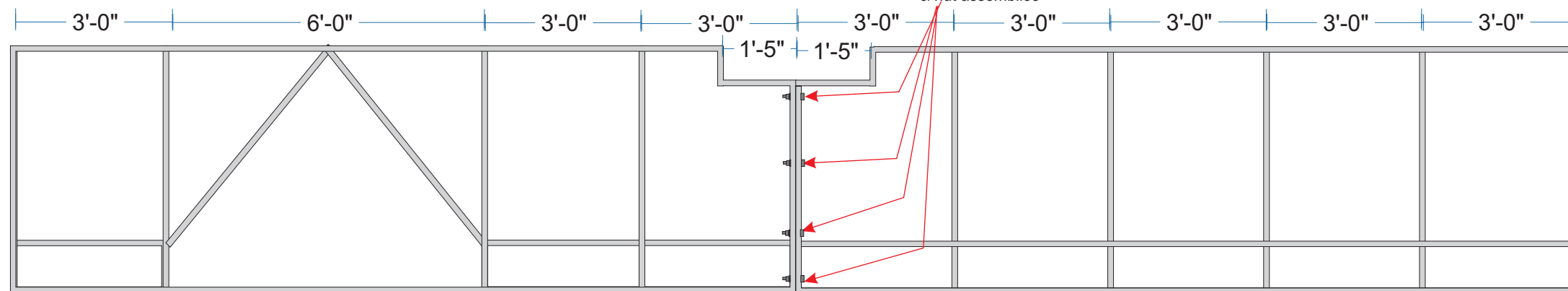
16" Black Weblon
Awning fabric steel stitched
to awning frames

Applied white vinyl graphics

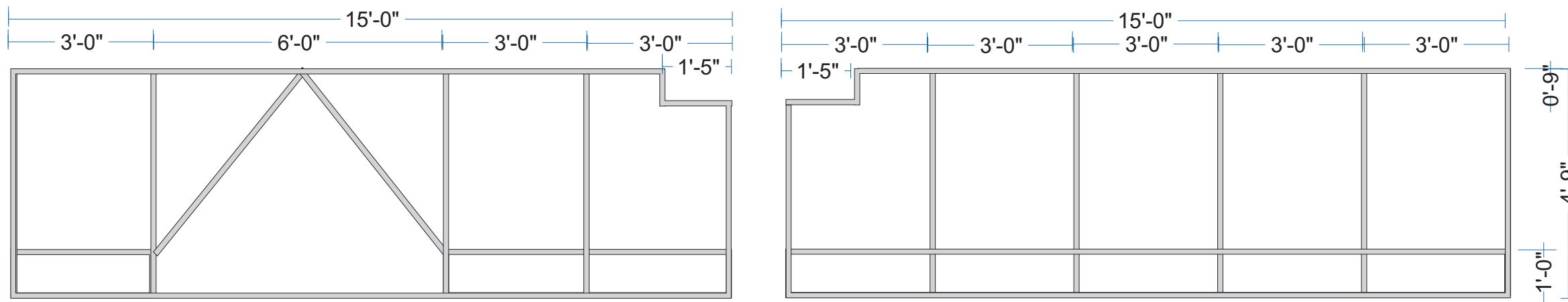
Through bolt awning
frames together with
3/8" x 3" bolts w/ washer
& nut assemblies

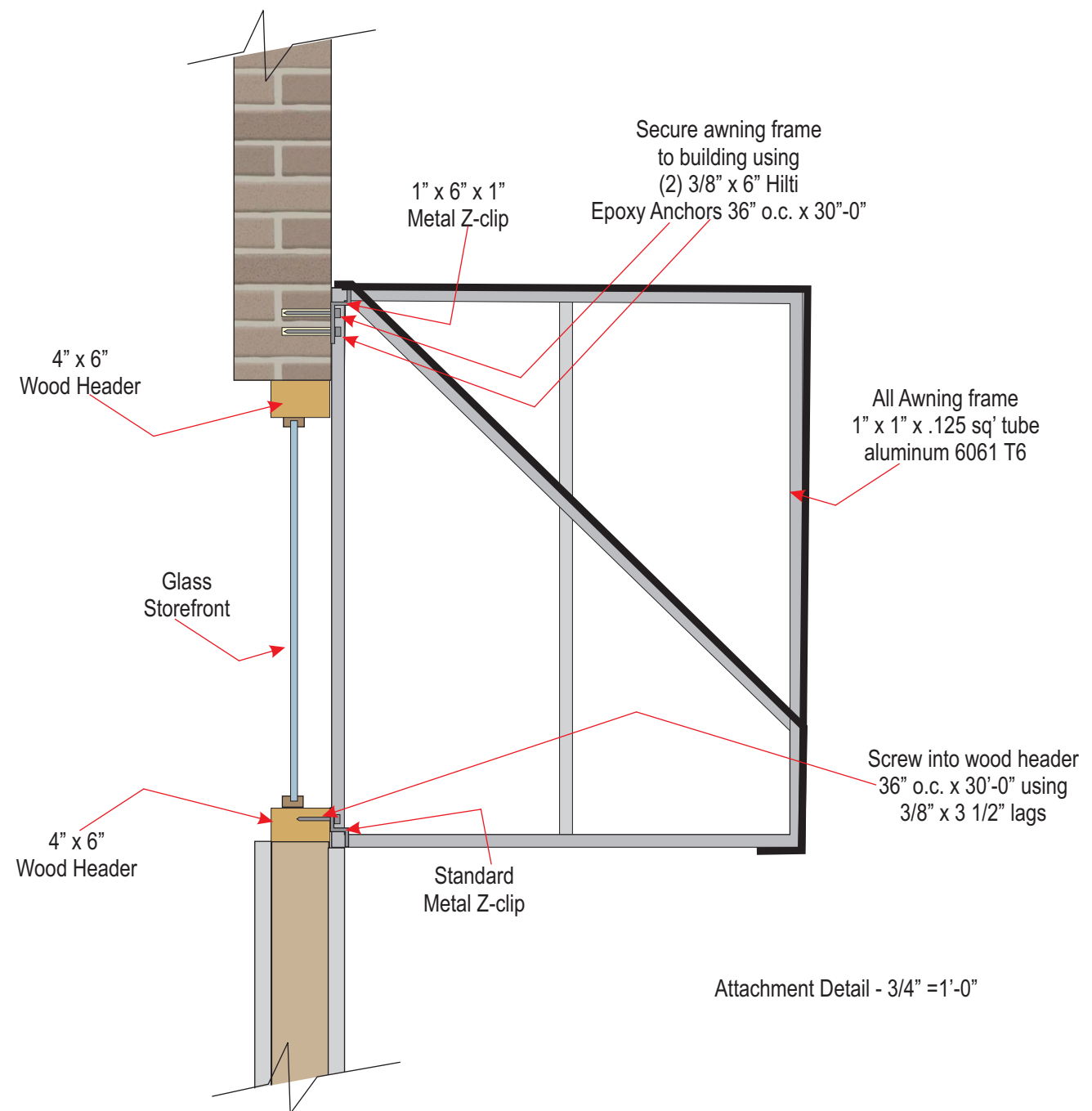
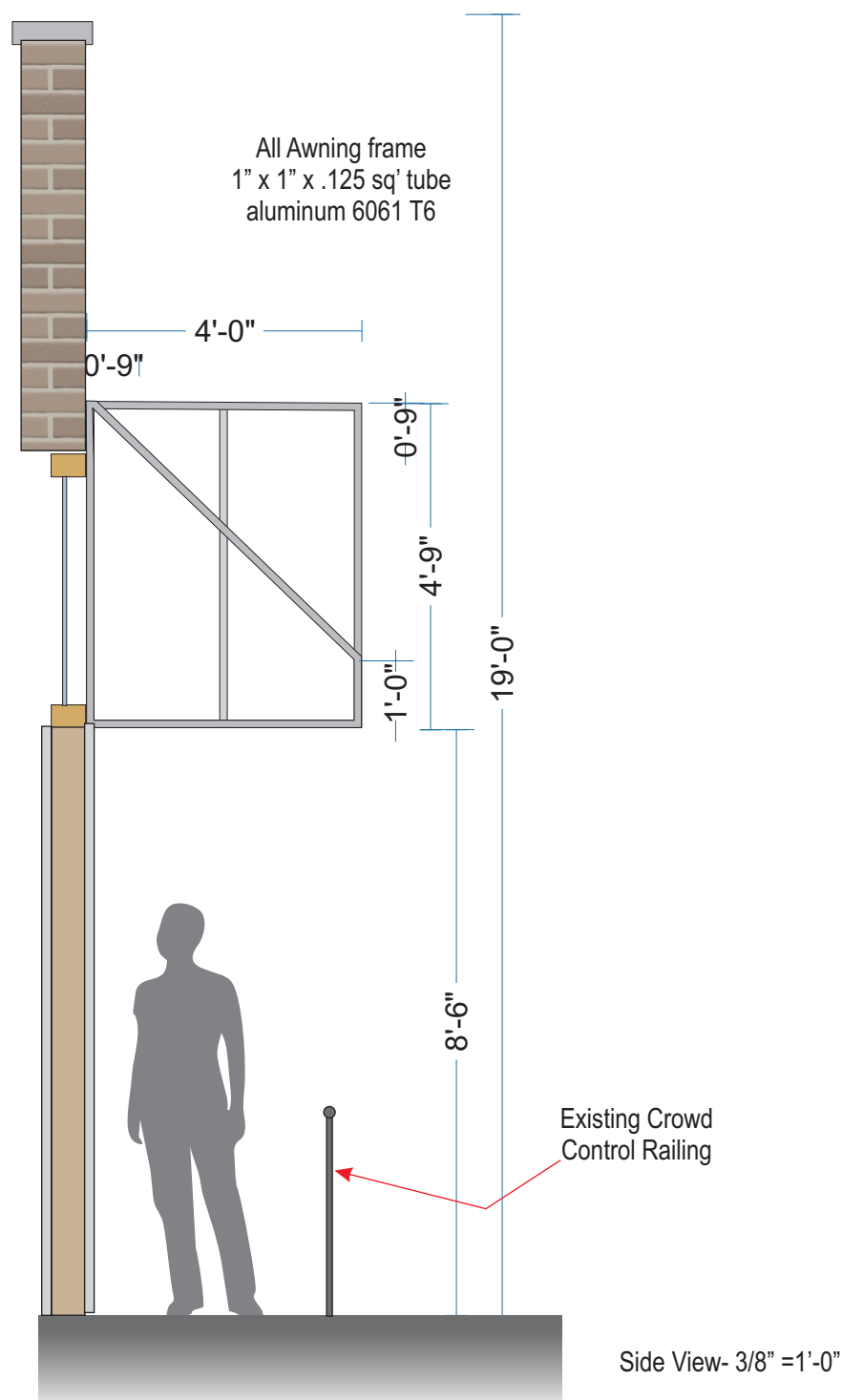
16" Black Weblon
Awning fabric steel stitched
to awning frames

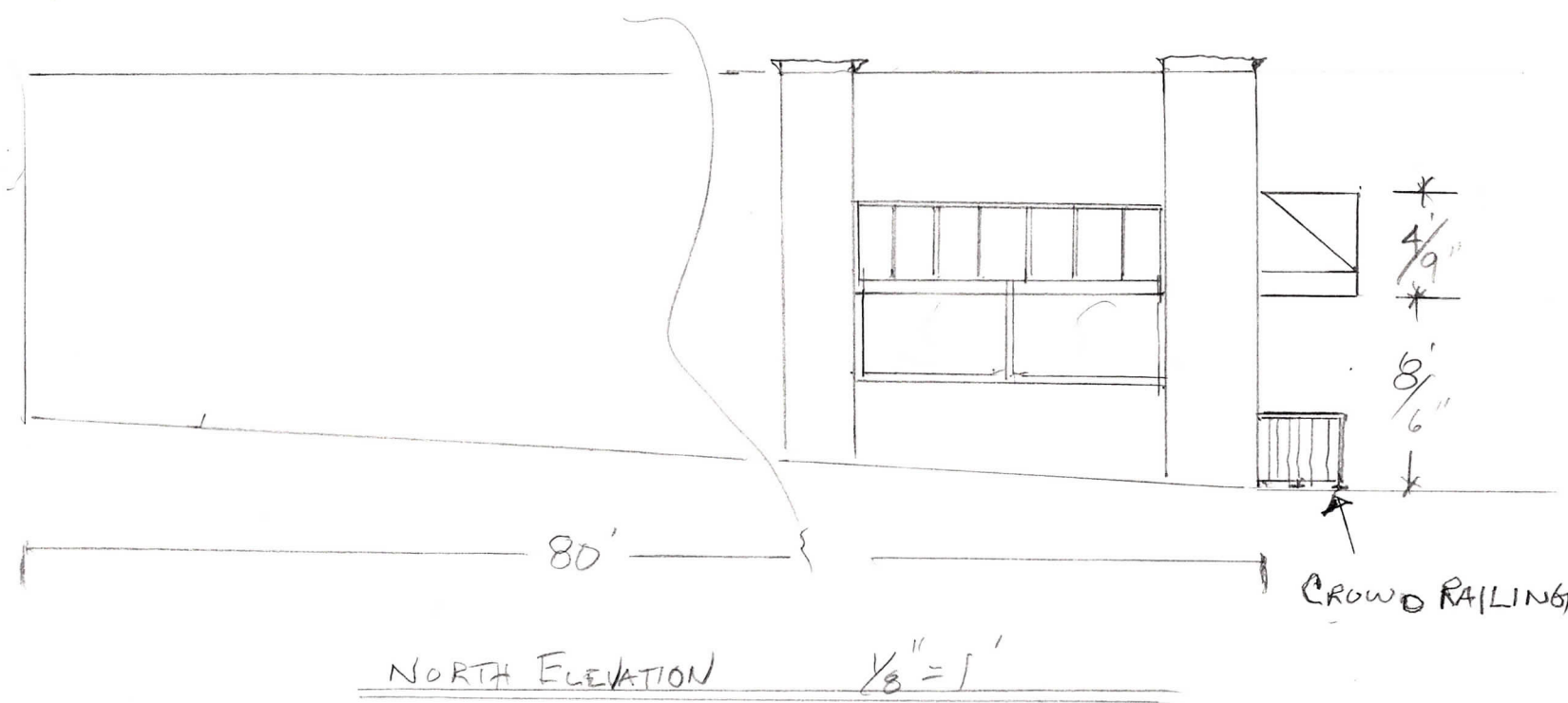
All Awning frame
1" x 1" x .125 sq' tube
aluminum 6061 T6



All Awning frame
1" x 1" x .125 sq' tube
aluminum 6061 T6







WELDED 1" SQ TUBE ALUMINUM
6061-T6 1" X .125 WALL

