

**NOTES:**

1. CONSULT MANUFACTURER'S RECOMMENDED INSTALLATION PRACTICES. REQUIREMENTS MAY VARY.
2. WALL MOUNT SIGNAL CONDITIONER.
3. PROVIDE GROUNDING GASKET & STRAPS FOR NONCONDUCTIVE OR LINED PIPE.
4. USE RIGID CONDUIT WHEN SIGNAL LINE IS LONGER THAN 6'-0".

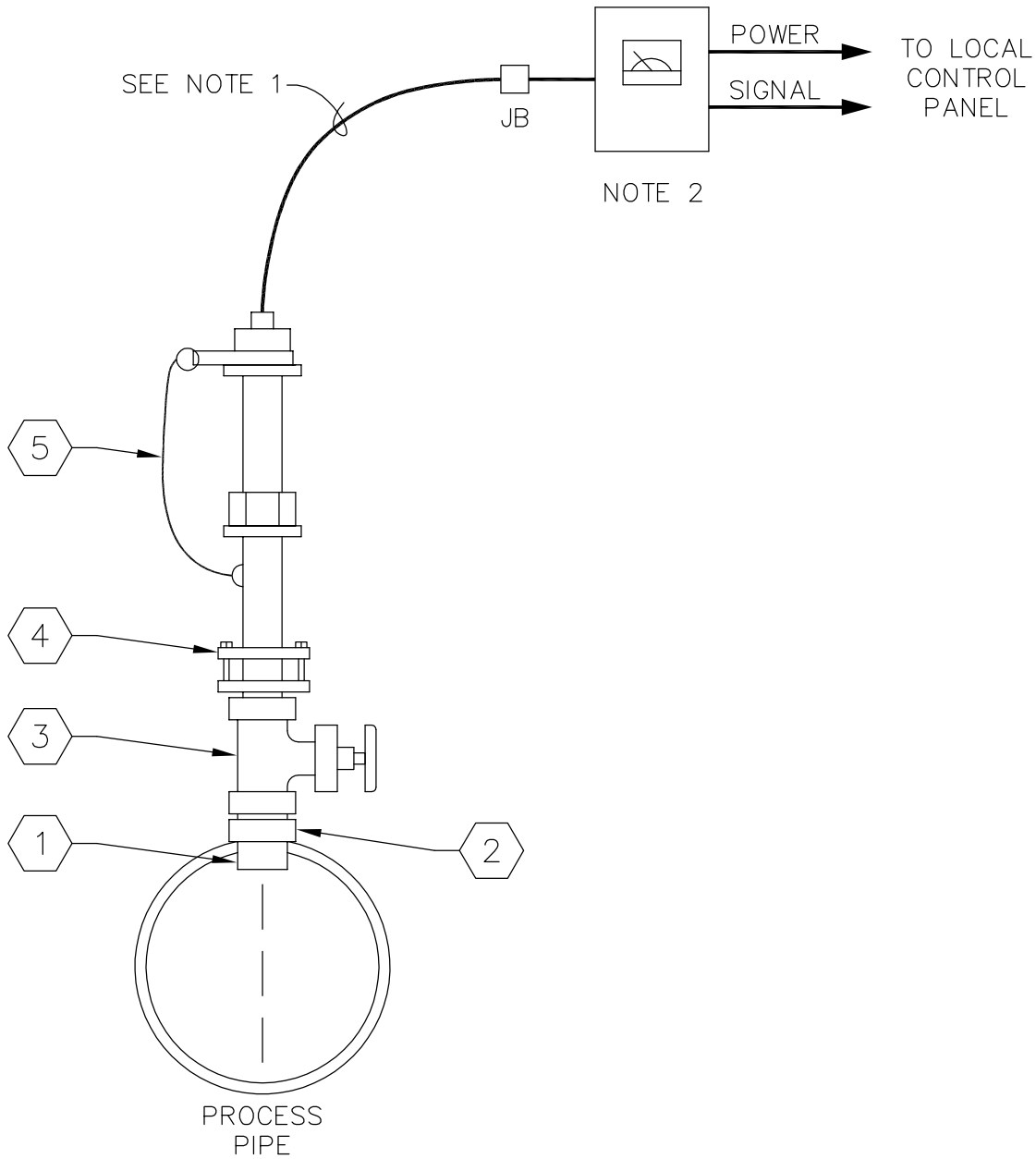
DRAWING NAME: MAGNETIC FLOW METER REMOTE TRANSMITTER



**City of Seattle**  
Ray Hoffman,  
Director

**SEATTLE PUBLIC UTILITIES  
DESIGN STANDARDS  
AND GUIDELINES**

|                |           |
|----------------|-----------|
| REVISION DATE: | 9/30/2010 |
| DRAWING #      | DRG 10-1  |
| SHEET          | OF        |



**BILL OF MATERIALS:**

- 1 PROBE WITH MAGNETIC ELECTRODES
- 2 WELDED THREADOLET
- 3 INSERTION VALVE
- 4 CONNECTING FLANGE
- 5 SENSOR RETENTION CHAIN OR CABLE

**NOTES:**

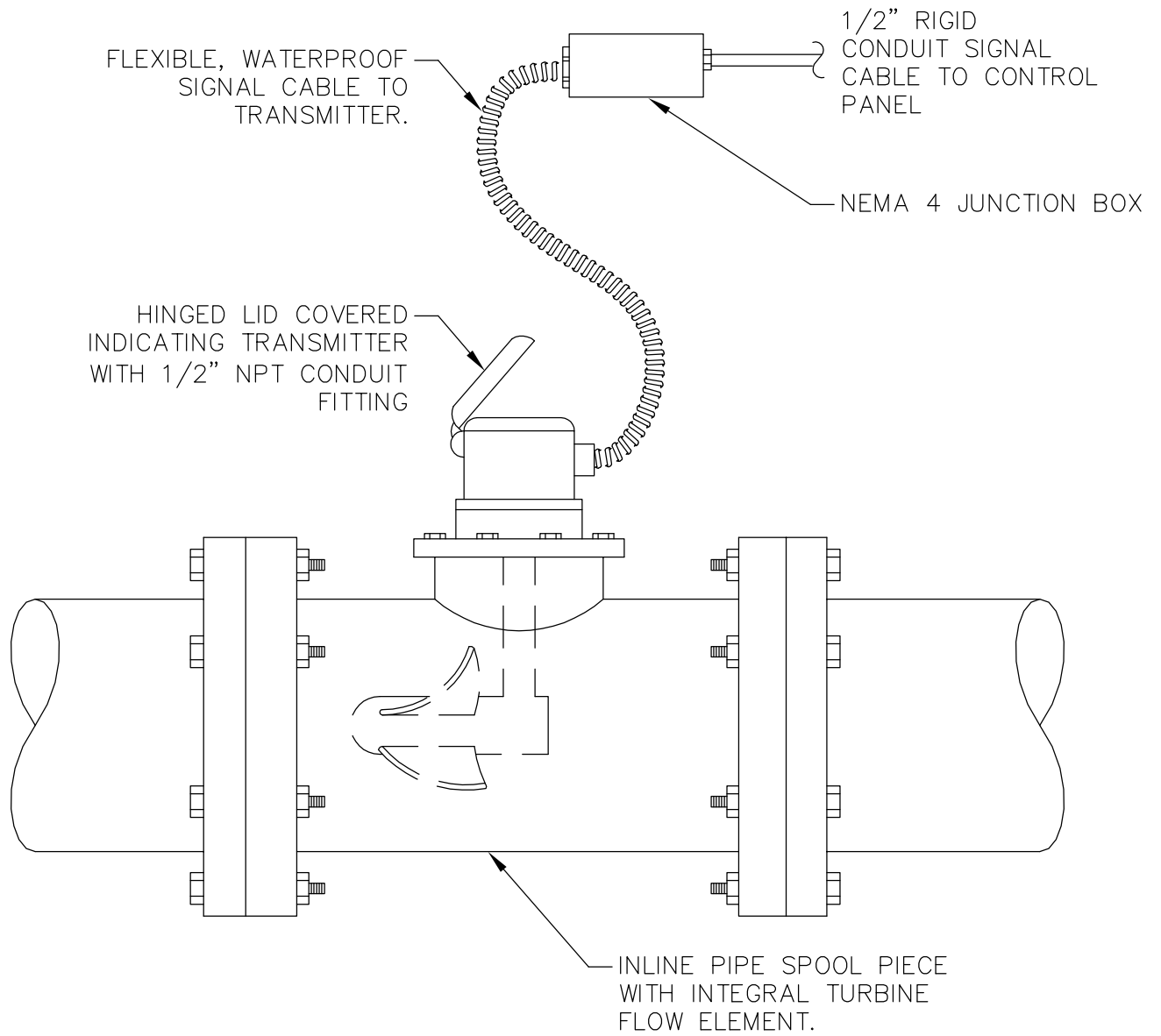
1. INSTALL LIQUID TIGHT FLEXIBLE CONNECTING CABLE BETWEEN SENSOR AND JUNCTION BOX.
2. LOCATE INDICATOR/TRANSMITTER APPROXIMATELY FOUR FEET ABOVE FLOOR AND WIRE BETWEEN SENSOR CABLE AND LOCAL CONTROL PANEL WITH RIGID CONDUIT.

DRAWING NAME: MAGNETIC FLOW METER INSERTION TYPE



**SEATTLE PUBLIC UTILITIES  
DESIGN STANDARDS  
AND GUIDELINES**

|                |           |
|----------------|-----------|
| REVISION DATE: | 9/30/2010 |
| DRAWING #      | DRG 10-2  |
| SHEET          | OF        |



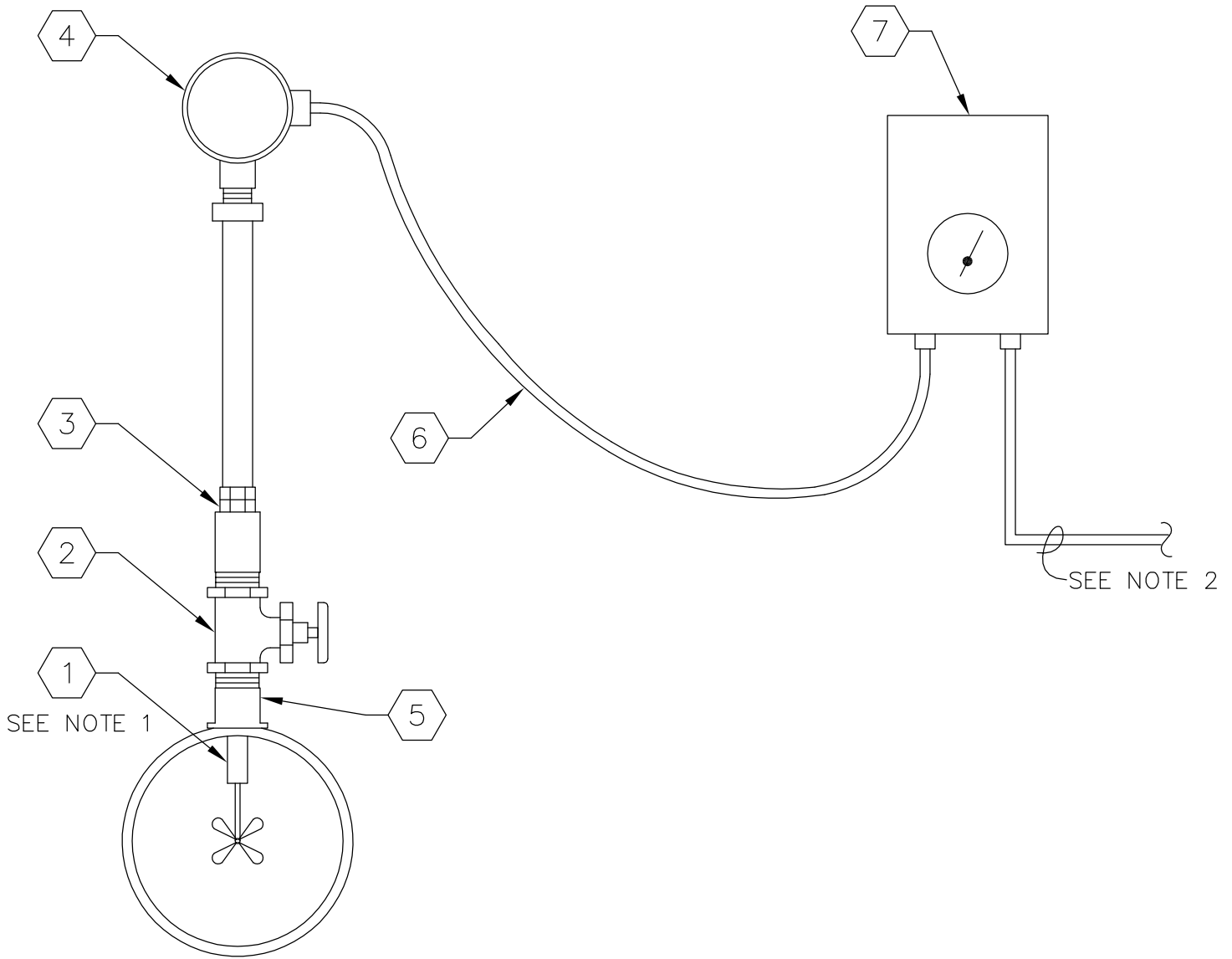
DRAWING NAME: FLOW TURBINE INLINE



**City of Seattle**  
Ray Hoffman,  
Director

**SEATTLE PUBLIC UTILITIES  
DESIGN STANDARDS  
AND GUIDELINES**

|                |           |
|----------------|-----------|
| REVISION DATE: | 9/30/2010 |
| DRAWING #      | DRG 10-3  |
| SHEET          | OF        |



BILL OF MATERIALS:

- ① TURBINE FLOW METER SENSING ELEMENT ASSEMBLY
- ② ISOLATION VALVE
- ③ COMPRESSION COUPLING
- ④ CAST ALUMINUM ELECTRICAL CONNECTION JUNCTION BOX
- ⑤ THREADED RISER WELDED TO STEEL PIPE
- ⑥ FLEXIBLE, WATERPROOF SIGNAL CABLE TO TRANSMITTER
- ⑦ NEMA 4X TRANSMITTER WITH FLOW INDICATOR. LOCATE 4-5 FEET ABOVE FLOOR.

NOTES:

1. INSERT TURBINE SENSOR TO APPROXIMATE CENTER OF PIPE
2. CONNECT SIGNAL WIRES FROM TRANSMITTER TO LOCAL CONTROL PANEL VIA RIGID CONDUIT

DRAWING NAME: FLOW METER TURBINE INSERTION TYPE



**City of Seattle**  
Ray Hoffman,  
Director

**SEATTLE PUBLIC UTILITIES  
DESIGN STANDARDS  
AND GUIDELINES**

|                |           |
|----------------|-----------|
| REVISION DATE: | 9/30/2010 |
| DRAWING #      | DRG 10-4  |
| SHEET          | OF        |

SURFACE MOUNT INDICATING TRANSMITTER BETWEEN 40" & 60" ABOVE FLOOR LEVEL.

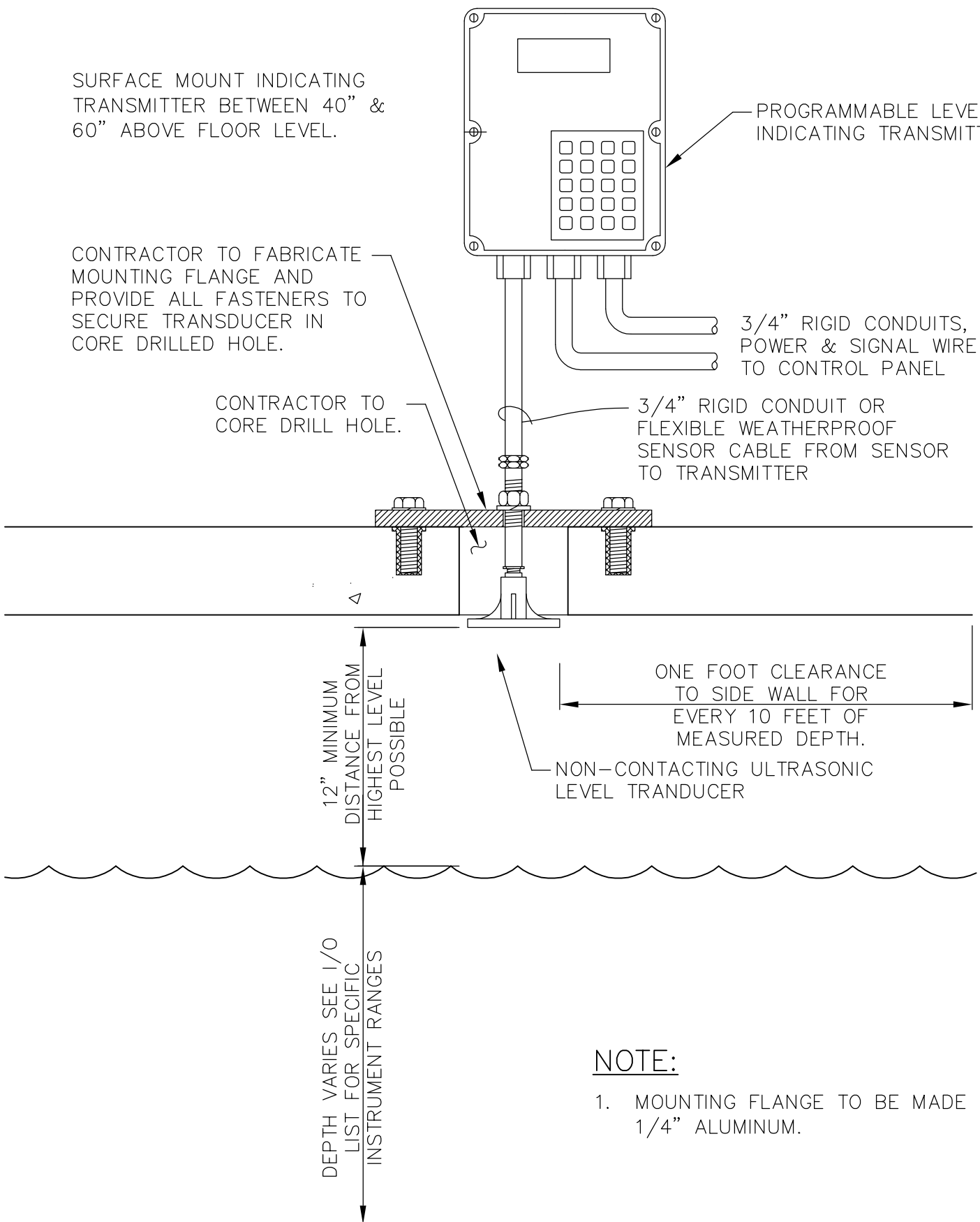
PROGRAMMABLE LEVEL INDICATING TRANSMITTER

CONTRACTOR TO FABRICATE MOUNTING FLANGE AND PROVIDE ALL FASTENERS TO SECURE TRANSDUCER IN CORE DRILLED HOLE.

CONTRACTOR TO CORE DRILL HOLE.

3/4" RIGID CONDUITS, POWER & SIGNAL WIRE TO CONTROL PANEL

3/4" RIGID CONDUIT OR FLEXIBLE WEATHERPROOF SENSOR CABLE FROM SENSOR TO TRANSMITTER



**NOTE:**

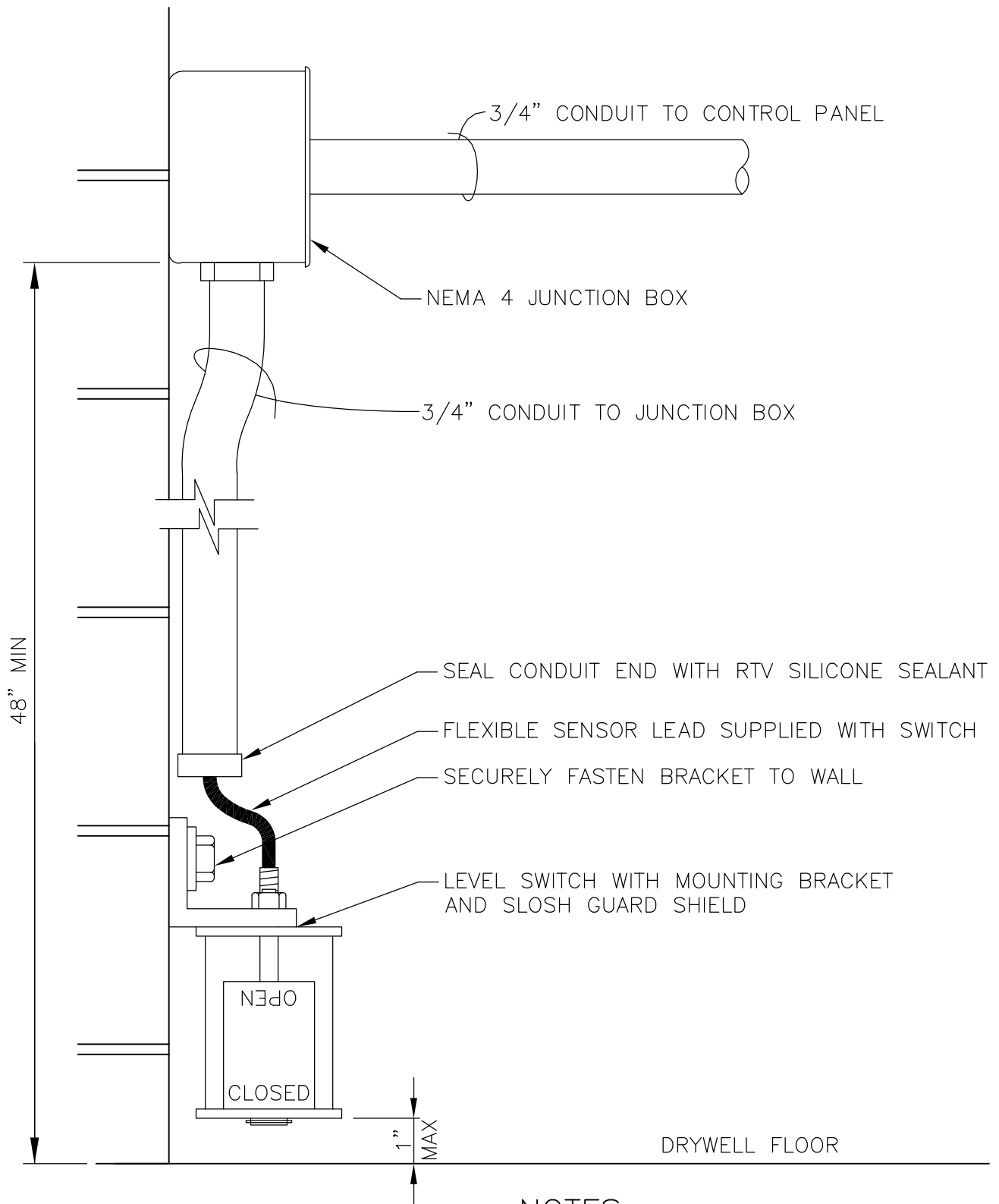
1. MOUNTING FLANGE TO BE MADE OF 1/4" ALUMINUM.

DRAWING NAME: LEVEL TRANSMITTER NON-CONTACTING ULTRASONIC



**SEATTLE PUBLIC UTILITIES  
DESIGN STANDARDS  
AND GUIDELINES**

|                |           |
|----------------|-----------|
| REVISION DATE: | 9/30/2010 |
| DRAWING #      | DRG 10-5  |
| SHEET          | OF        |



**NOTES:**

1. THE SWITCH WILL BE WIRED NORMALLY CLOSED (N.C.) OPEN ON RISE.
2. SWITCH MUST BE MOUNTED VERTICALLY TO PROVIDE SMOOTH FLOAT OPERATION.

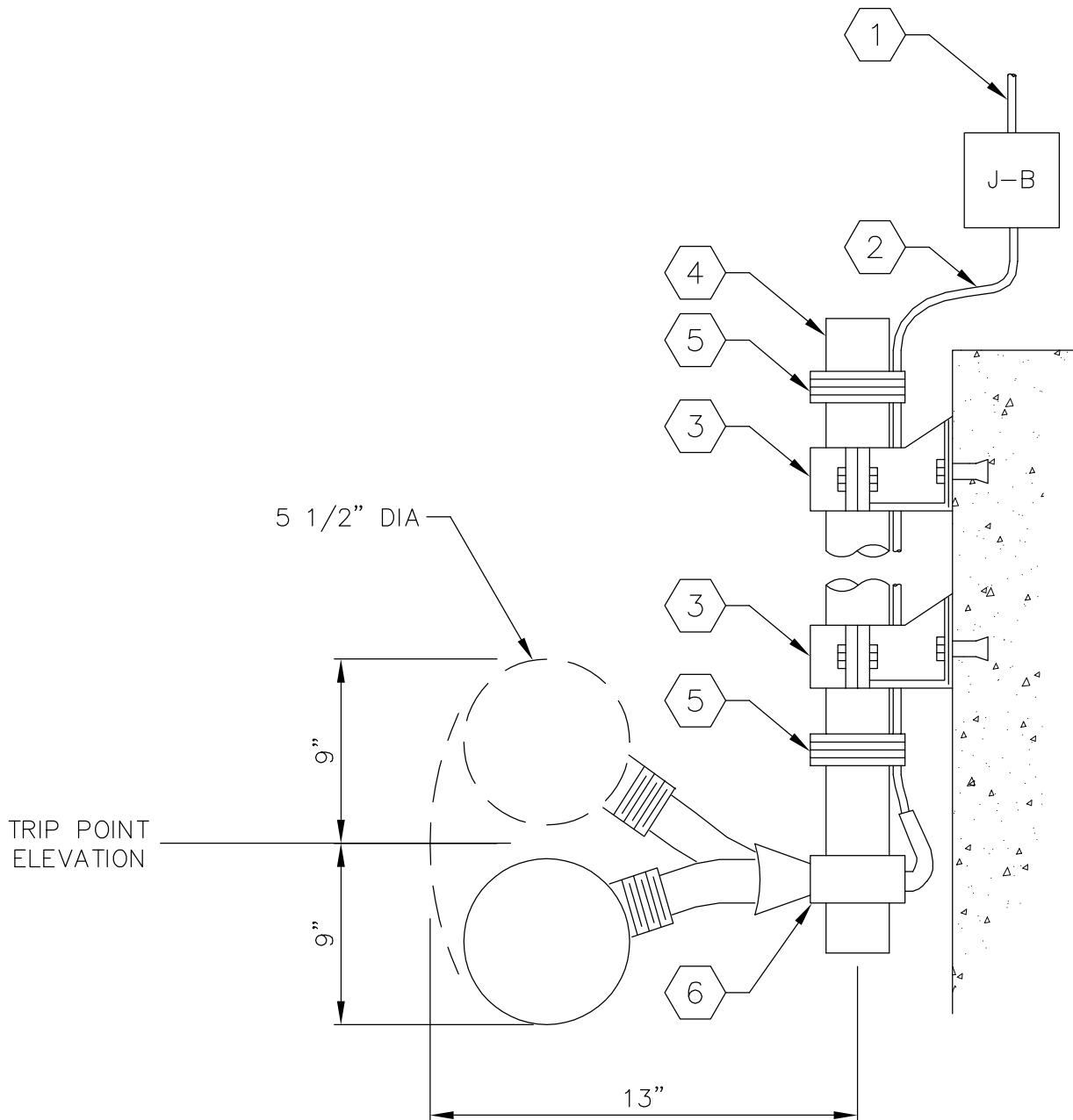
DRAWING NAME: DRYWELL FLOOD LIQUID LEVEL SWITCH FLOAT TYPE



**City of Seattle**  
Ray Hoffman,  
Director

**SEATTLE PUBLIC UTILITIES  
DESIGN STANDARDS  
AND GUIDELINES**

|                |           |
|----------------|-----------|
| REVISION DATE: | 9/30/2010 |
| DRAWING #      | DRG 10-6  |
| SHEET          | OF        |



BILL OF MATERIALS:

- ① RIGID CONDUIT TO CONTROL PANEL
- ② FLEXIBLE WEATHERPROOF CABLE
- ③ SURFACE MOUNTING BRACKET AS REQ'D (MINIMUM TWO.)
- ④ 1"-2" PIPE SUPPORT. LENGTH AS REQ'D
- ⑤ TIE WIRE TO POLE EVERY THREE FEET
- ⑥ POLE CLAMP FOR FLOAT
- ⑦ FLOAT BULB WITH INTEGRAL HEAVY DUTY MERCURY SWITCH

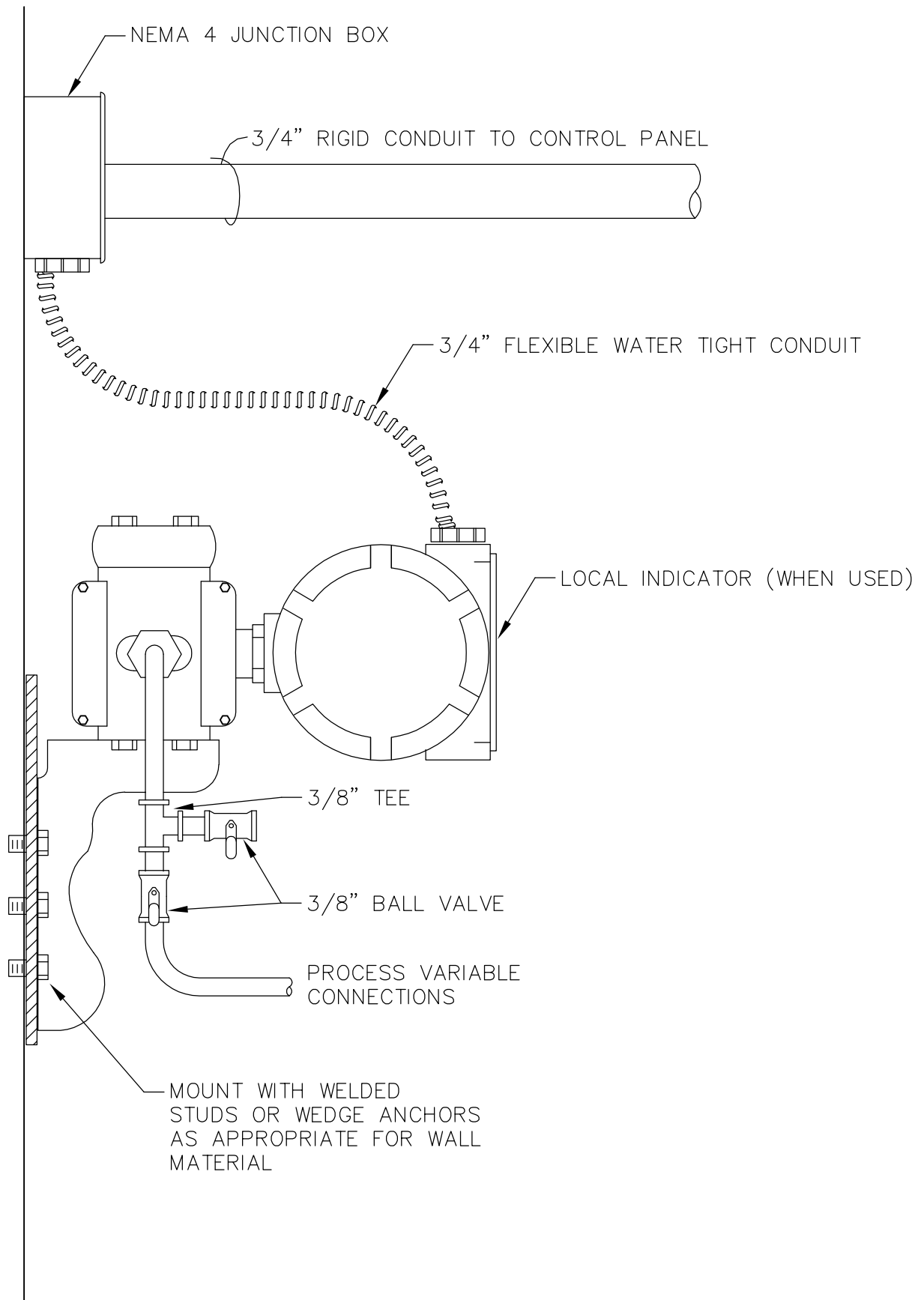
DRAWING NAME: LEVEL SWITCH FLOAT TYPE



**City of Seattle**  
Ray Hoffman,  
Director

**SEATTLE PUBLIC UTILITIES  
DESIGN STANDARDS  
AND GUIDELINES**

|                |           |
|----------------|-----------|
| REVISION DATE: | 9/30/2010 |
| DRAWING #      | DRG 10-7  |
| SHEET          | OF        |



DRAWING NAME: PRESSURE TRANSMITTER, ELECTRO-MECHANICAL FLANGE MOUNT

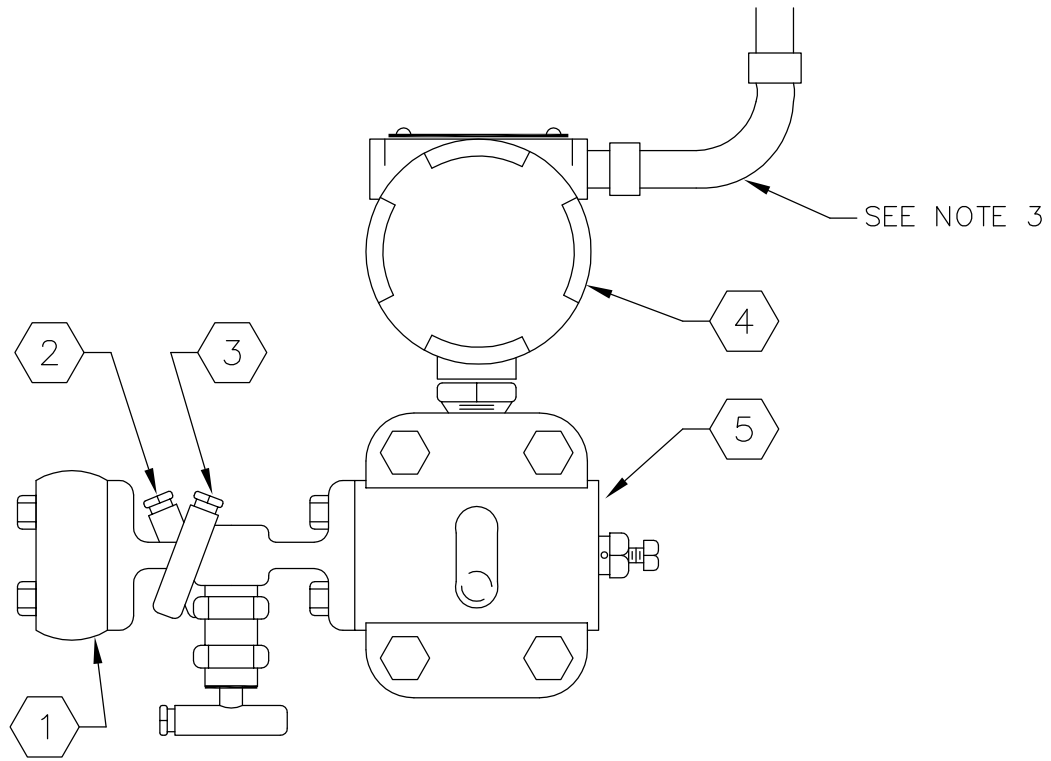


**City of Seattle**  
Ray Hoffman,  
Director

**SEATTLE PUBLIC UTILITIES  
DESIGN STANDARDS  
AND GUIDELINES**

|                |           |
|----------------|-----------|
| REVISION DATE: | 9/30/2010 |
| DRAWING #      | DRG 10-8  |
| SHEET          | OF        |





BILL OF MATERIALS:

- ① 3-VALVE MANIFOLD
- ② HIGH TAP SHUTOFF VALVE
- ③ LOW TAP SHUTOFF VALVE
- ④ DIFFERENTIAL PRESSURE TRANSMITTER
- ⑤ BLEEDER VALVE

NOTES:

1. MOUNT WITH MANUFACTURERS SUPPLIED BRACKET ON 2" PIPE STAND.
2. PROVIDE NEMA 4 WALL MOUNTED JUNCTION BOX AND RIGID CONDUIT TO INTERFACE CABINET
3. PROVIDE FLEX CONDUIT TO MENA 4 JUNCTION BOX

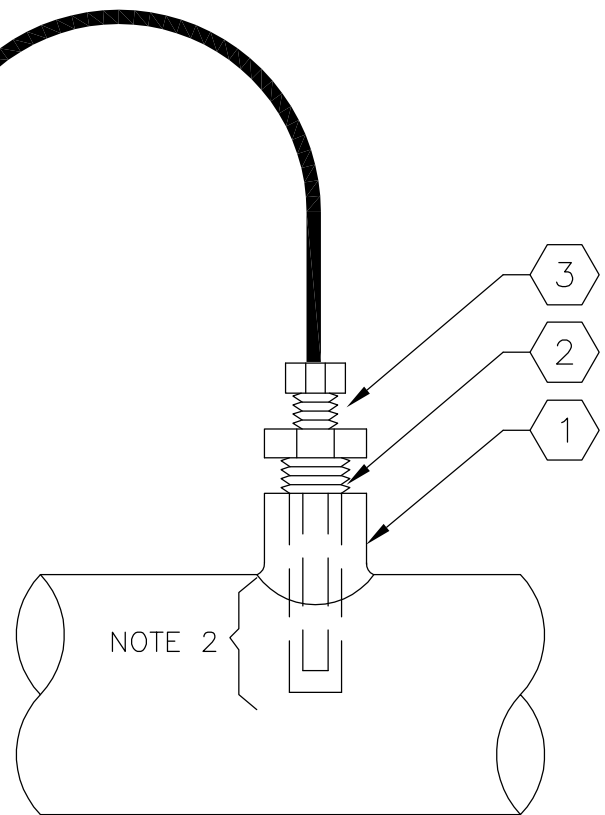
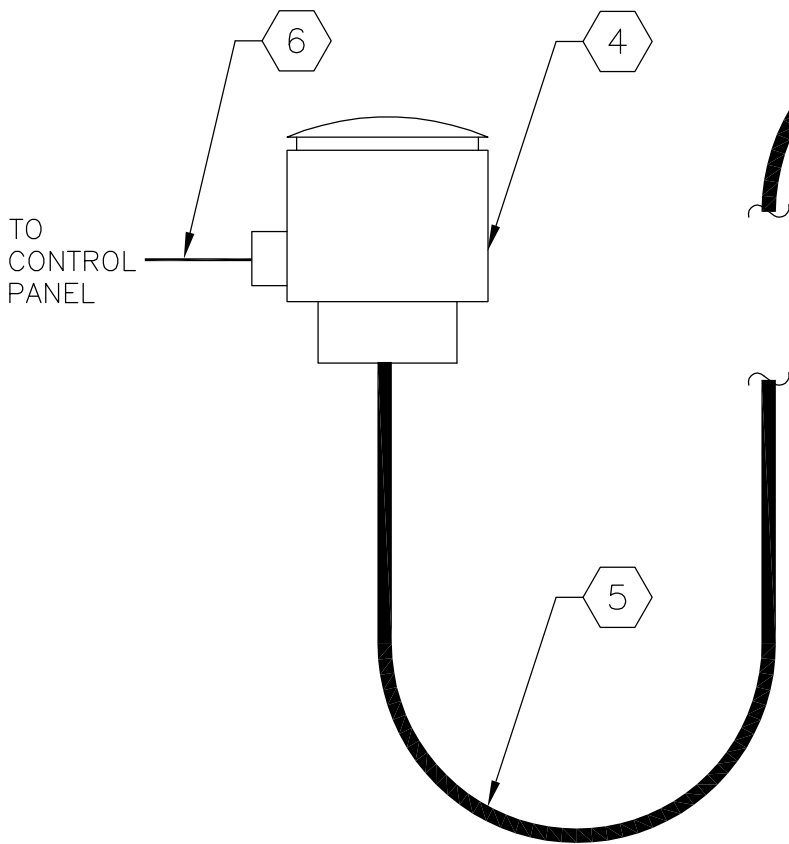
DRAWING NAME: FLOW METER TURBINE INSERTION TYPE



**City of Seattle**  
Ray Hoffman,  
Director

**SEATTLE PUBLIC UTILITIES  
DESIGN STANDARDS  
AND GUIDELINES**

|                |           |
|----------------|-----------|
| REVISION DATE: | 9/30/2010 |
| DRAWING #      | DRG 10-9  |
| SHEET          | OF        |



BILL OF MATERIALS:

- ① 3/4" THREADOLET
- ② THERMOWELL
- ③ RTD MUST BE EASILY REMOVABLE
- ④ TWO WIRE TEMPERATURE TRANSMITTER (WALL MOUNTED)
- ⑤ WATERTIGHT FLEX CONDUIT
- ⑥ RIGID CONDUIT CONTAINING SIGNAL CABLE

NOTES:

1. THERMOWELL AND RTD ASSEMBLY TO BE MOUNTED VERTICALLY.
2. THERMOWELL DIMENSION SHOULD MEET MANUFACTURERS, RECOMMENDATION. USE STAINLESS STEEL THERMOWELLS.

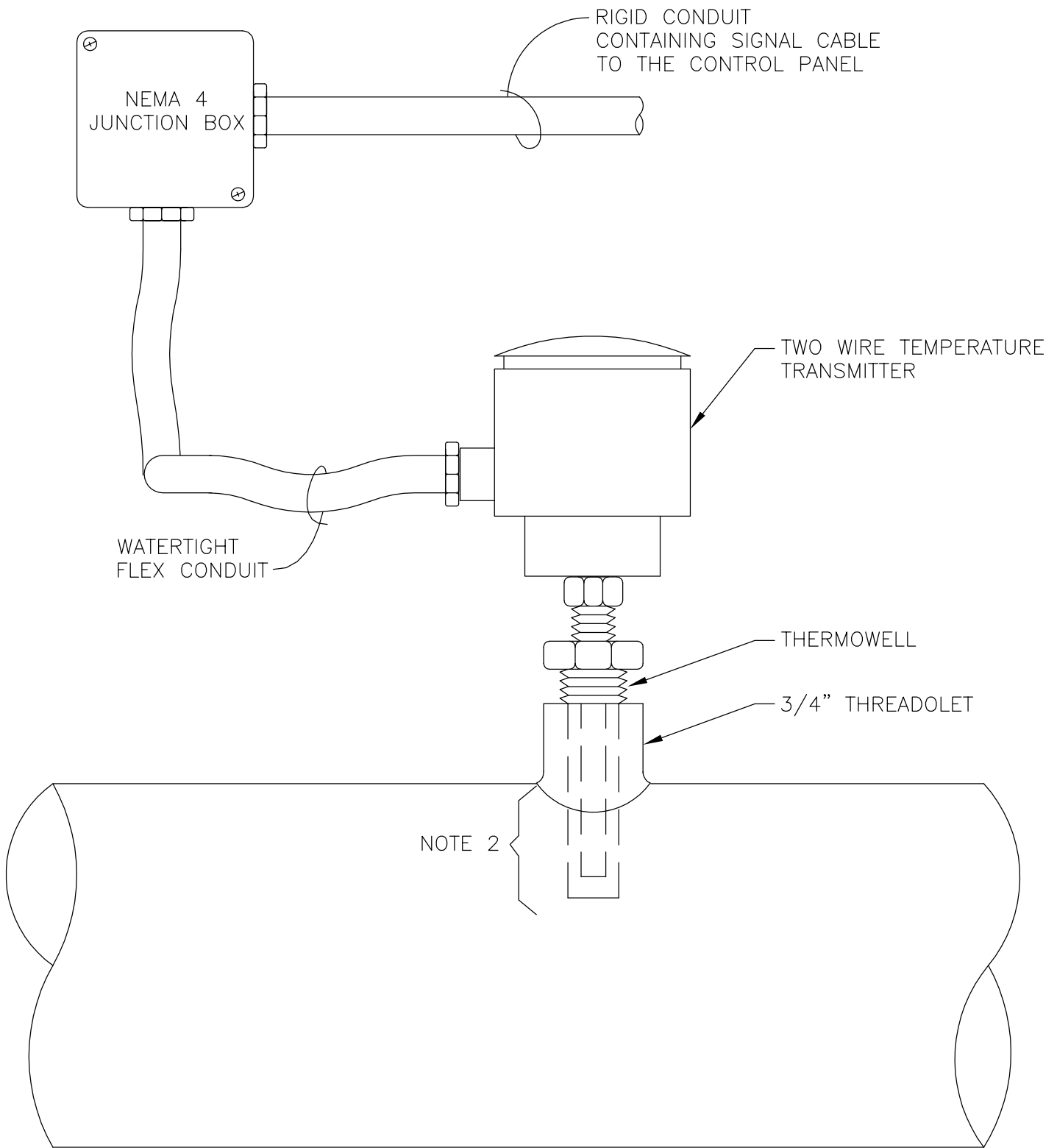
DRAWING NAME: TEMPERATURE TRANSMITTER



**City of Seattle**  
Ray Hoffman,  
Director

**SEATTLE PUBLIC UTILITIES  
DESIGN STANDARDS  
AND GUIDELINES**

|                |           |
|----------------|-----------|
| REVISION DATE: | 9/30/2010 |
| DRAWING #      | DRG 10-9  |
| SHEET          | OF        |



**NOTES:**

1. THERMOWELL AND RTD ASSEMBLY TO BE MOUNTED VERTICALLY.
2. THERMOWELL DIMENSION SHOULD MEET MANUFACTURES RECOMMENDATION. USE STAINLESS STEEL THERMOWELLS.
3. RTD MUST BE EASILY REMOVABLE

DRAWING NAME: TEMPERATURE TRANSMITTER RTD TYPE PROCESS PIPE MOUNTED

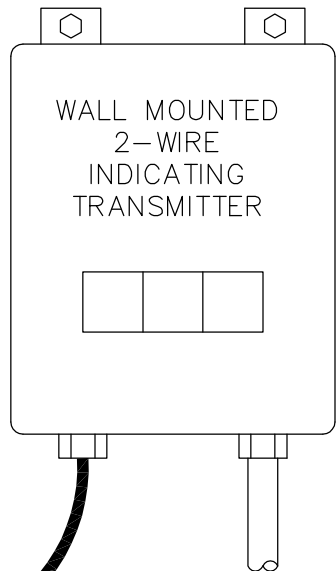


**City of Seattle**  
Ray Hoffman,  
Director

**SEATTLE PUBLIC UTILITIES  
DESIGN STANDARDS  
AND GUIDELINES**

|                |           |
|----------------|-----------|
| REVISION DATE: | 9/30/2010 |
| DRAWING #      | DRG 10-11 |
| SHEET          | OF        |

FLEXIBLE CABLE/ CONDUIT FROM SENSOR TO TRANSMITTER



SIGNAL/POWER RIGID CONDUIT TO LOCAL CONTROL PANEL

PROBE COMPRESSION CONNECTOR \*

BALL VALVE \* 1-1/4" FULL PORT 316 S.S.

1" NPT WELD-BOSS CONNECTION, SAME MATERIAL AS PIPE

PROBE \* : SENSOR SHEATH WITH ANTI-BLOWOUT LIP. 16" STANDARD LENGTH

**NOTES:**

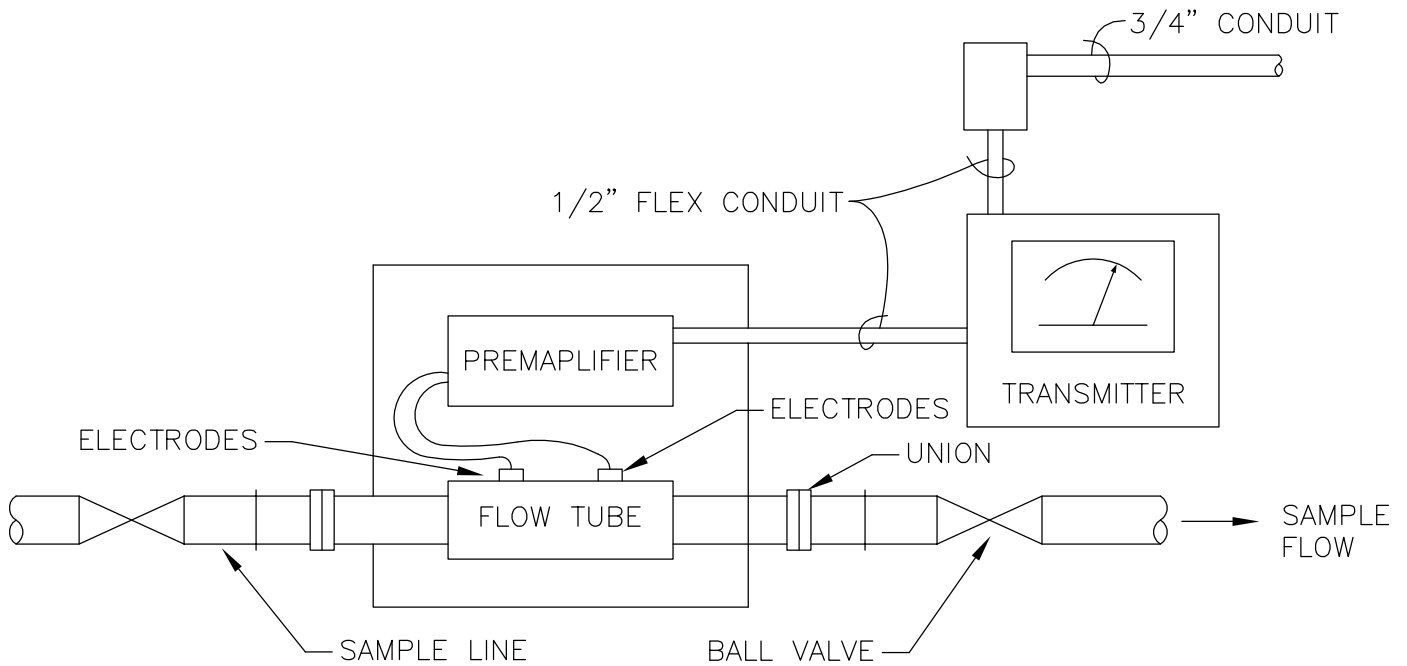
1. COMPONENTS DESIGNATED BY \* ARE SUPPLIED BY INSTRUMENT MANUFACTURER.
2. PROVIDE A MINIMUM OF 14" CLEARANCE ABOVE PROBE FOR REMOVAL.

DRAWING NAME: RETRACTABLE PH SENSOR

**City of Seattle**  
Ray Hoffman,  
Director

**SEATTLE PUBLIC UTILITIES  
DESIGN STANDARDS  
AND GUIDELINES**

|                |           |
|----------------|-----------|
| REVISION DATE: | 9/30/2010 |
| DRAWING #      | DRG 10-12 |
| SHEET          | OF        |



**NOTES:**

1. MOUNT PREAMPLIFIER AND TRANSMITTER ON WALL OR IN SAMPLE PANEL NEXT TO PROBE.
2. PROVIDE SAMPLE VALVE NEAR SAMPLER FOR CONFORMANCE CHECK.
3. INSTALL IN AREA WHERE EQUIPMENT CAN BE EASILY ACCESSED.
4. INSTALL PROBE IN HORIZONTAL SECTION OF SAMPLE LINE.

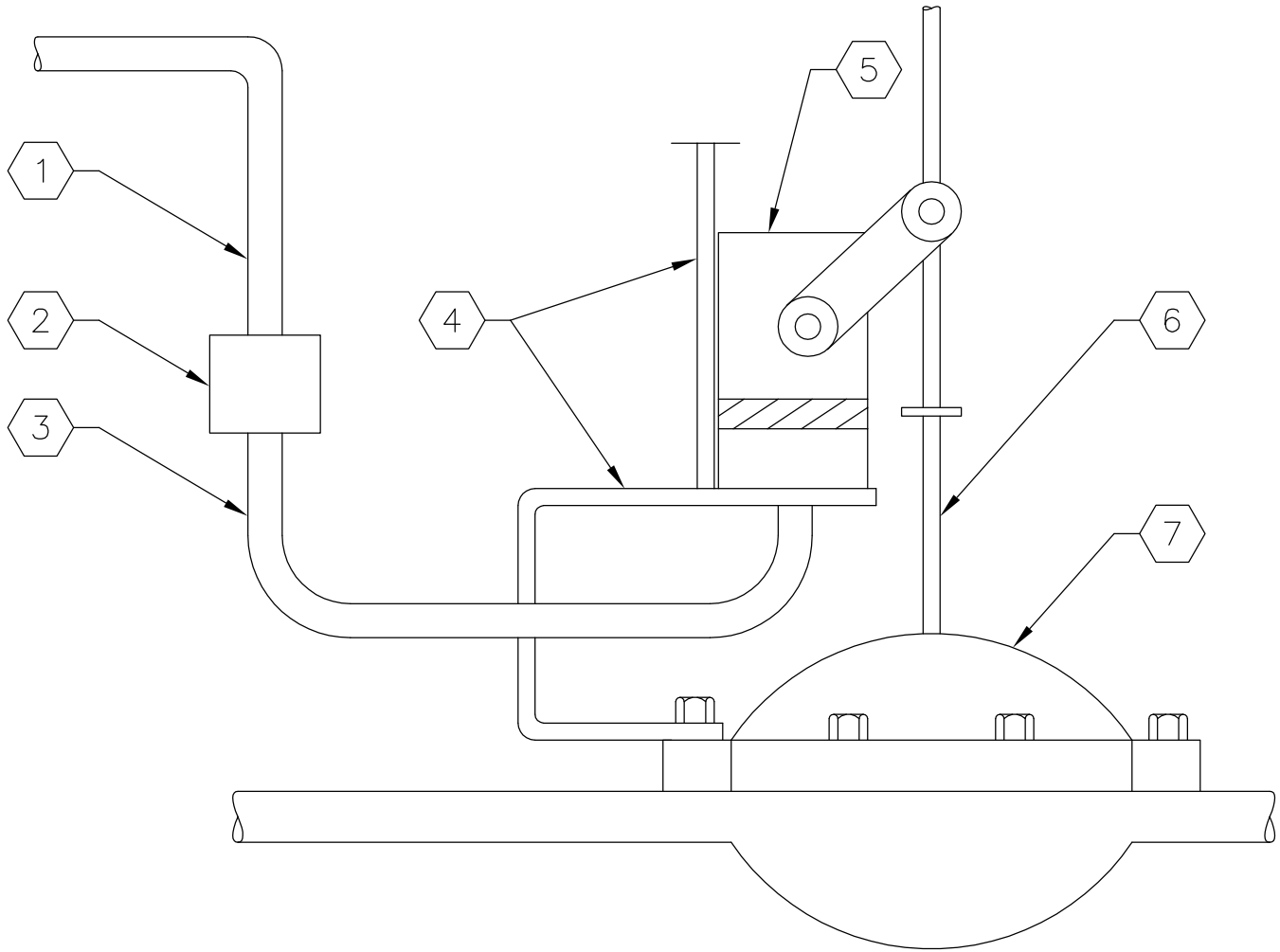
DRAWING NAME: PH METER MOUNTING DIAGRAM



**City of Seattle**  
Ray Hoffman,  
Director

**SEATTLE PUBLIC UTILITIES  
DESIGN STANDARDS  
AND GUIDELINES**

|                |           |
|----------------|-----------|
| REVISION DATE: | 9/30/2010 |
| DRAWING #      | DRG 10-13 |
| SHEET          | OF        |



BILL OF MATERIALS:

- ① 1/2" RIGID CONDUIT FOR 120 VAC CONDUCTORS.
- ② JUNCTION BOX.
- ③ 1/2" FLEXIBLE CONDUIT.
- ④ MOUNTING BRACKET.
- ⑤ LIMIT SWITCH.
- ⑥ VALVE POSITION SPINDLE.
- ⑦ CONTROL VALVE.

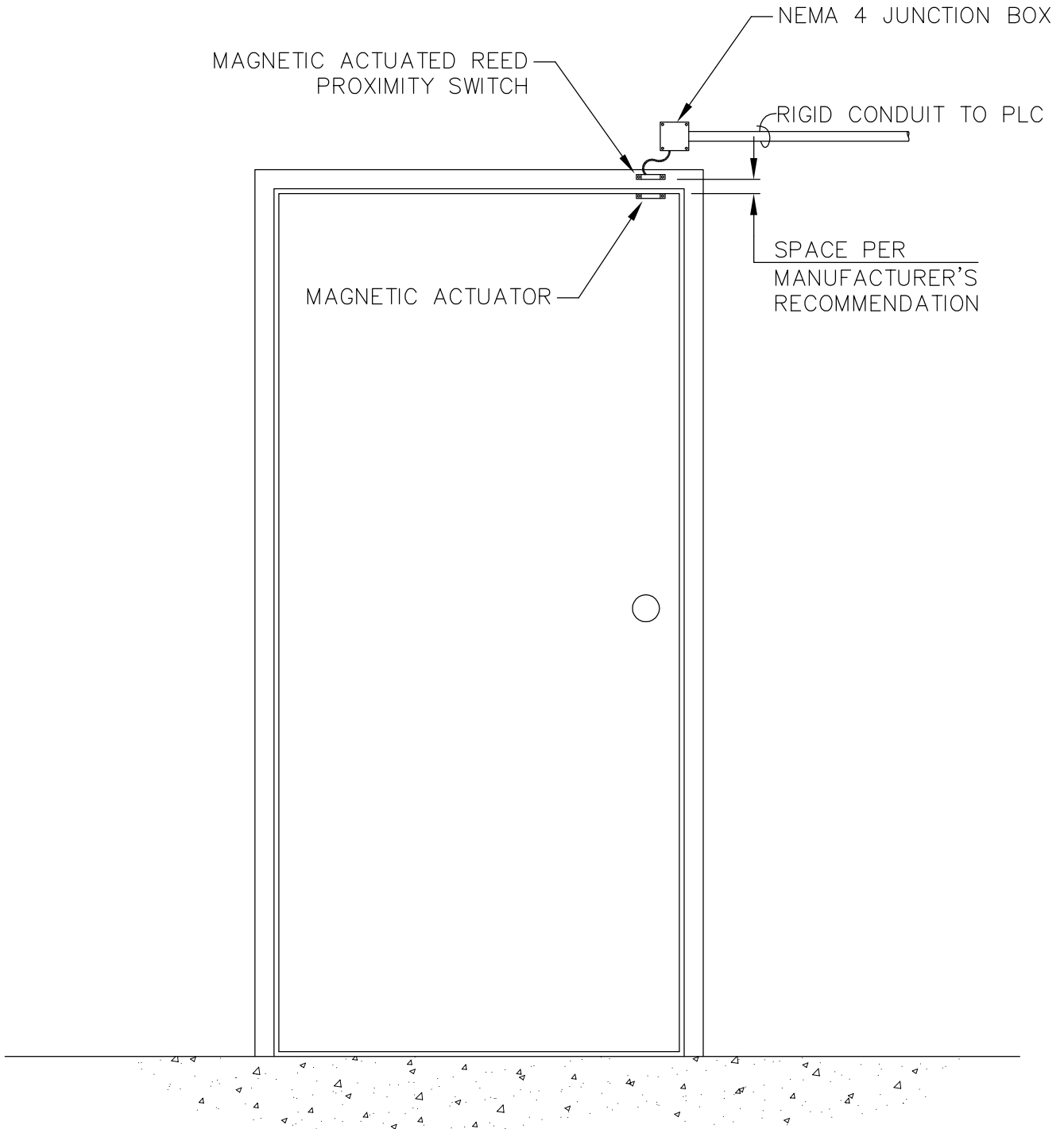
DRAWING NAME: POSITION LIMIT SWITCH



**City of Seattle**  
Ray Hoffman,  
Director

**SEATTLE PUBLIC UTILITIES  
DESIGN STANDARDS  
AND GUIDELINES**

|                |           |
|----------------|-----------|
| REVISION DATE: | 9/30/2010 |
| DRAWING #      | DRG 10-14 |
| SHEET          | OF        |



NOTE:

1. MOUNT SWITCH AND ACTUATOR ON INNER MOST DOOR.

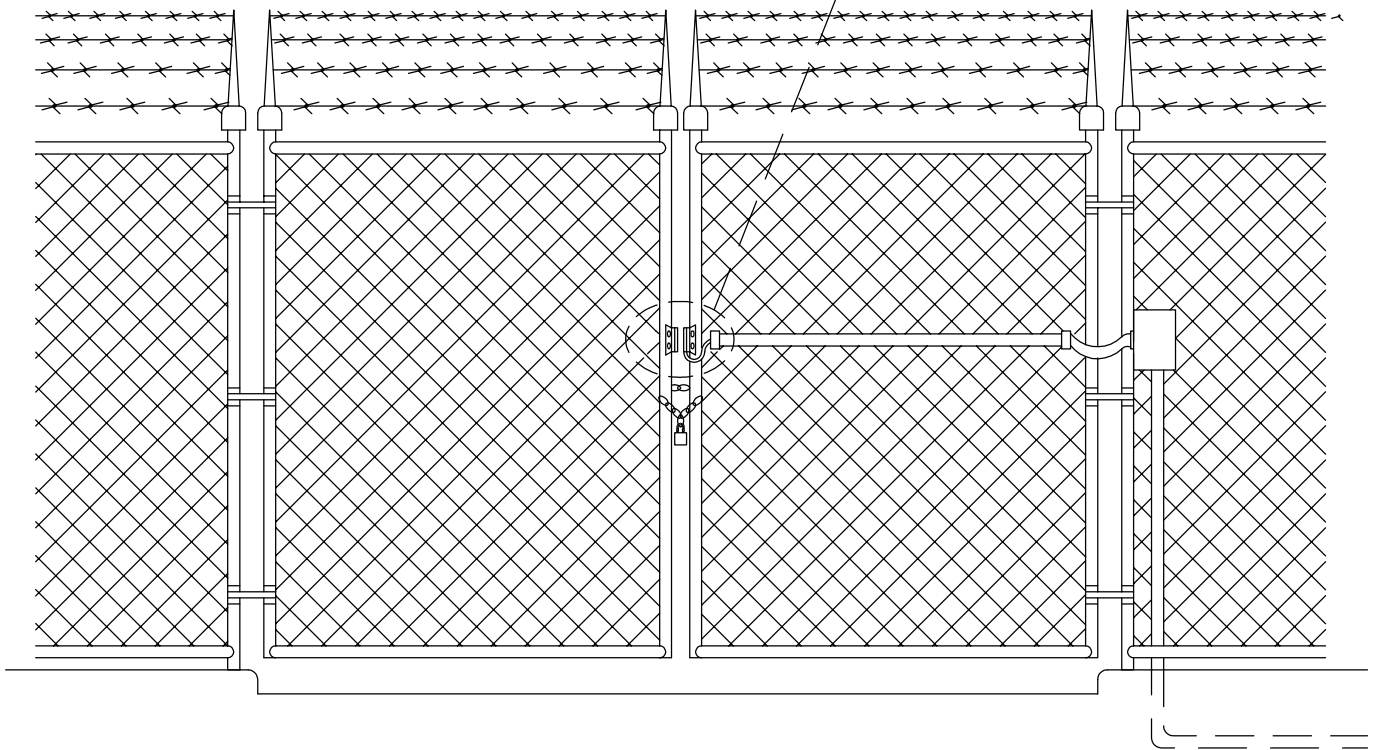
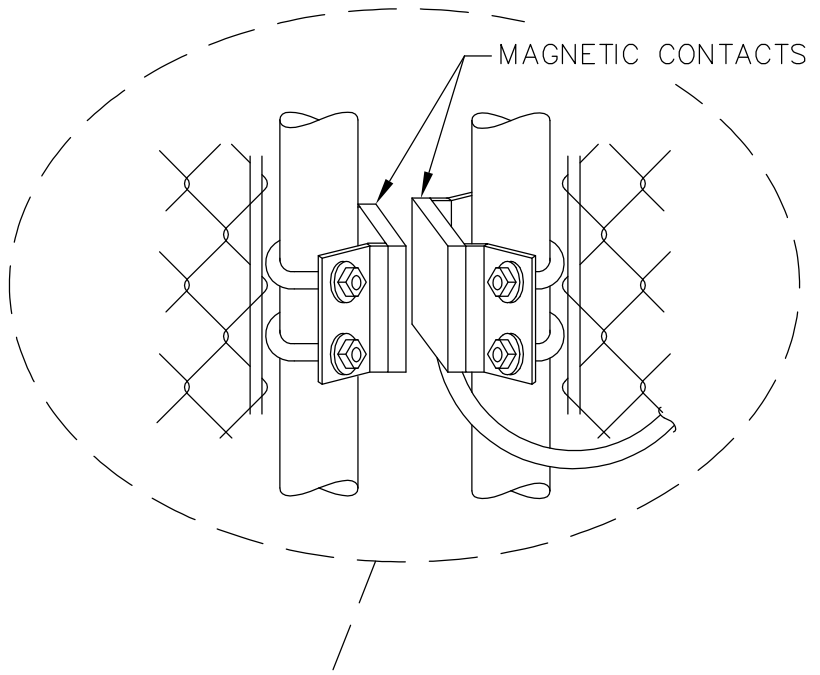
DRAWING NAME: INTRUSION DETECTION SWITCH MAGNETIC REED PROXIMITY SINGLE DOOR



**City of Seattle**  
Ray Hoffman,  
Director

**SEATTLE PUBLIC UTILITIES  
DESIGN STANDARDS  
AND GUIDELINES**

|                |           |
|----------------|-----------|
| REVISION DATE: | 9/30/2010 |
| DRAWING #      | DRG 10-15 |
| SHEET          | OF        |



DRAWING NAME: INTRUSION DETECTION SWITCH MAGNETIC REED PROXIMITY GATE

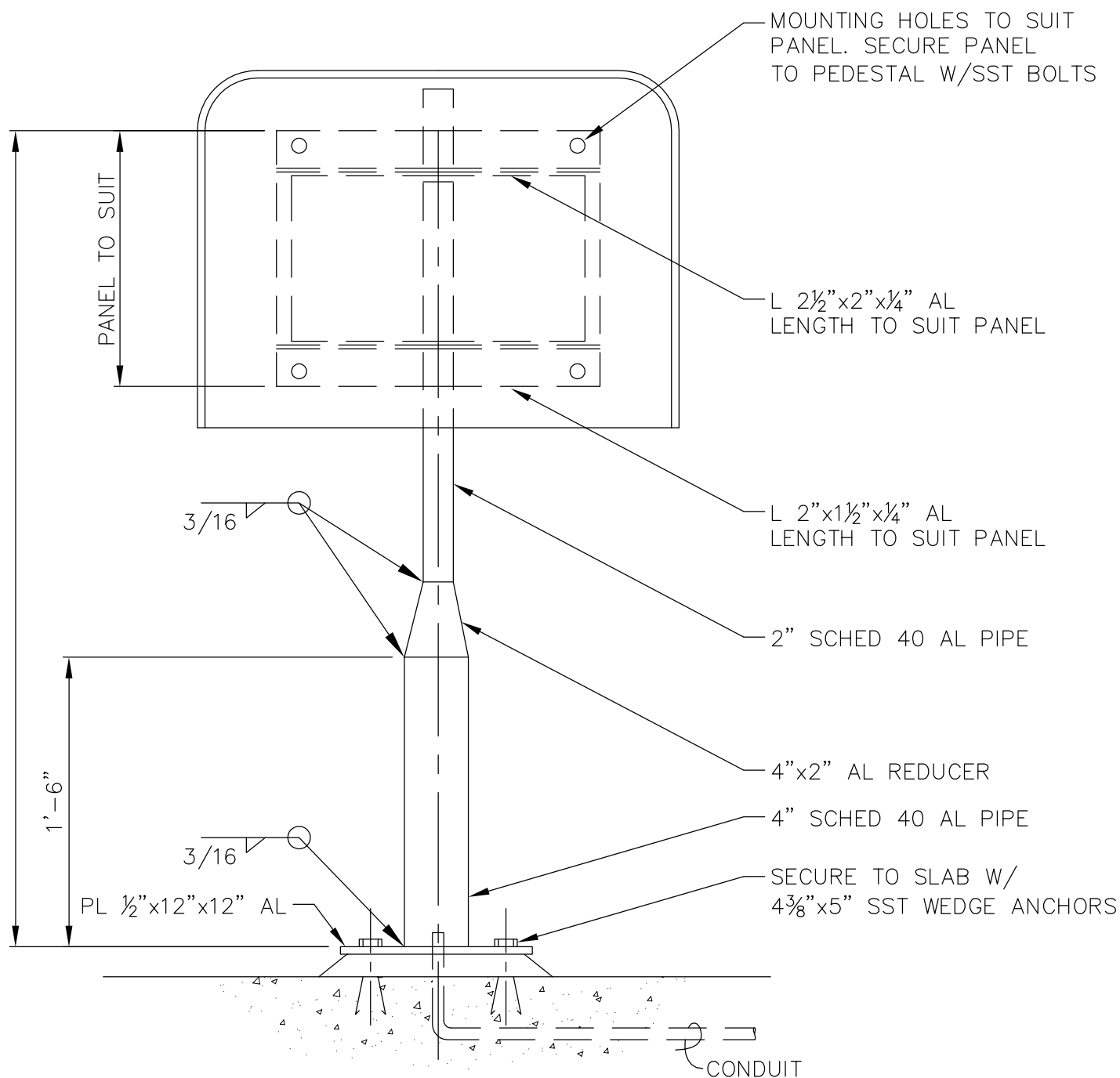


**City of Seattle**  
Ray Hoffman,  
Director

**SEATTLE PUBLIC UTILITIES  
DESIGN STANDARDS  
AND GUIDELINES**

|                |           |
|----------------|-----------|
| REVISION DATE: | 9/30/2010 |
| DRAWING #      | DRG 10-16 |
| SHEET          | OF        |





## NOTES:

1. ROUND OFF ALL EXPOSED EDGES & CORNERS.
2. PAINT AL IN CONTACT WITH CONCRETE.
3. PROVIDE 6"x18"x18" CONCRETE BASE.

DRAWING NAME: PANEL MOUNTING PEDESTAL

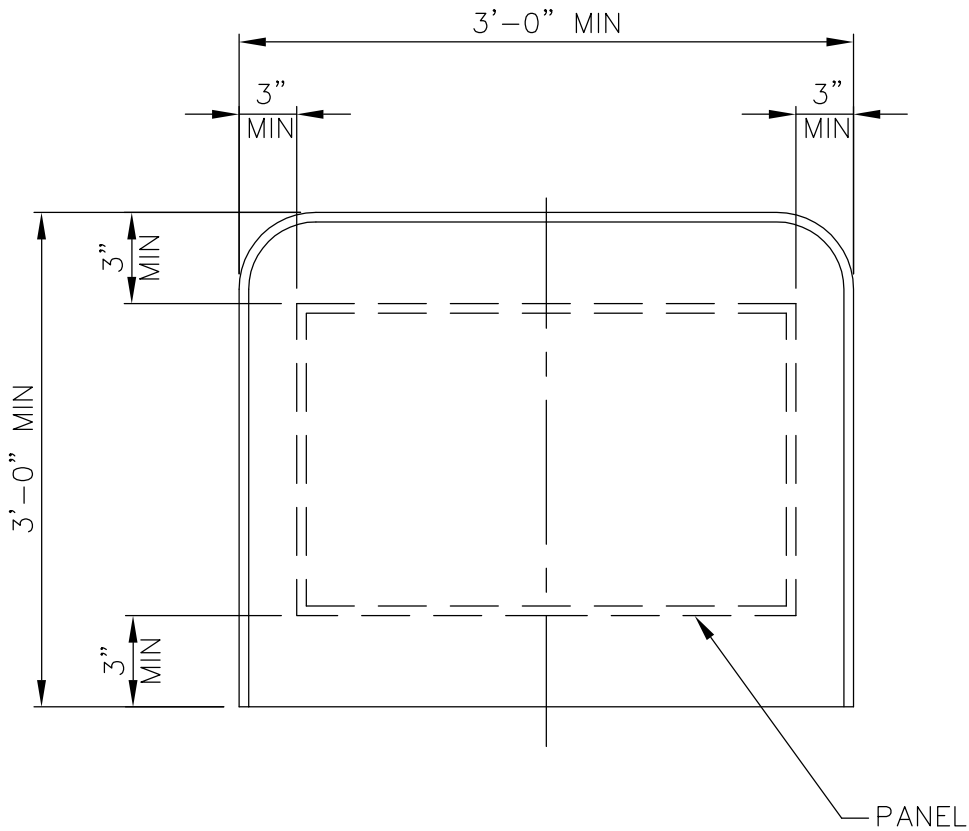


**City of Seattle**  
Ray Hoffman,  
Director

**SEATTLE PUBLIC UTILITIES  
DESIGN STANDARDS  
AND GUIDELINES**

REVISION DATE:  
9/30/2010

DRAWING #  
DRG 10-17  
SHEET OF



**NOTES:**

1. ROUND OFF ALL EXPOSED EDGES & CORNERS.
2. MOUNT RAINHOOD BETWEEN PANEL & SUPPORT. DRILL HOLES IN RAINHOOD AS PER MOUNTING HOLES FOR PANEL

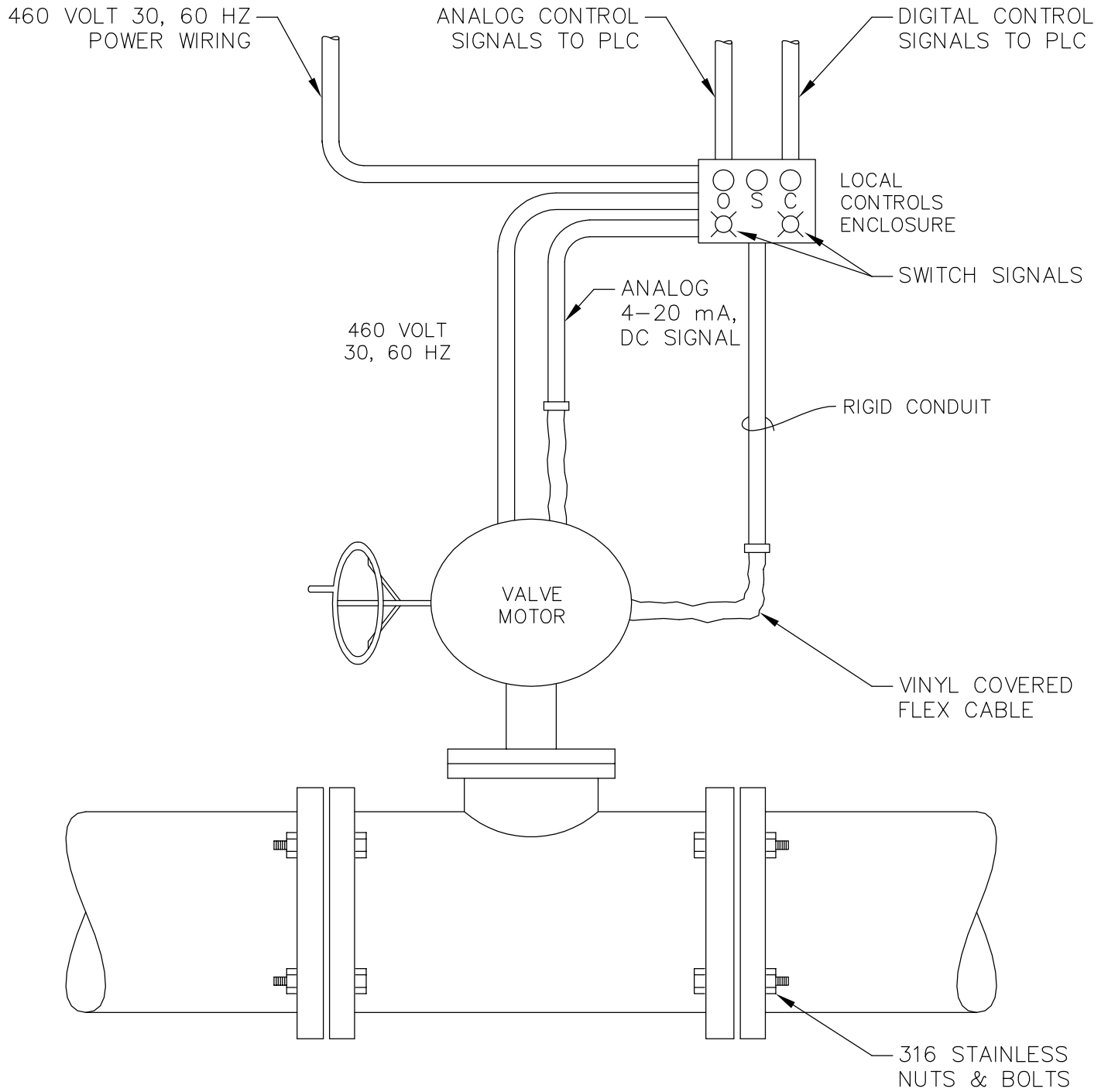
DRAWING NAME: PANEL MOUNTING RIANHOOD INSTALLATION



**City of Seattle**  
Ray Hoffman,  
Director

**SEATTLE PUBLIC UTILITIES  
DESIGN STANDARDS  
AND GUIDELINES**

|                |           |
|----------------|-----------|
| REVISION DATE: | 9/30/2010 |
| DRAWING #      | DRG 10-18 |
| SHEET          | OF        |



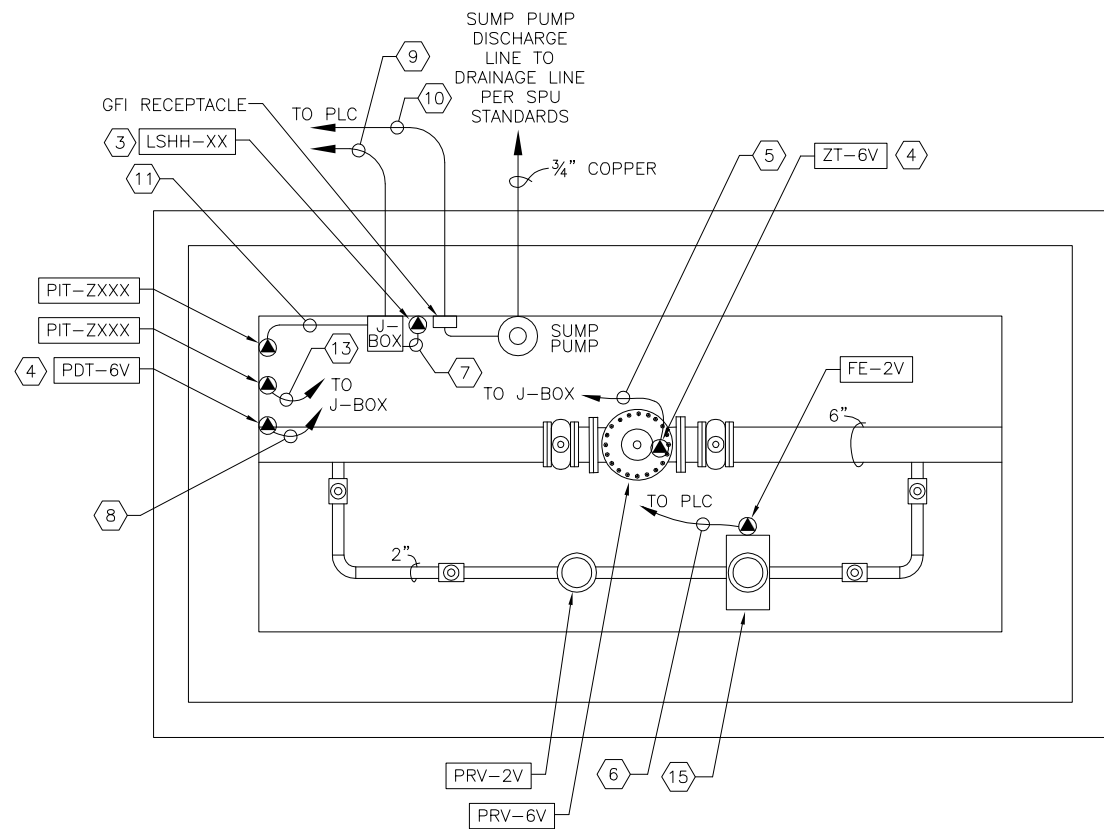
DRAWING NAME: QUARTER-TURN FLOW CONTROL VALVE



**City of Seattle**  
Ray Hoffman,  
Director

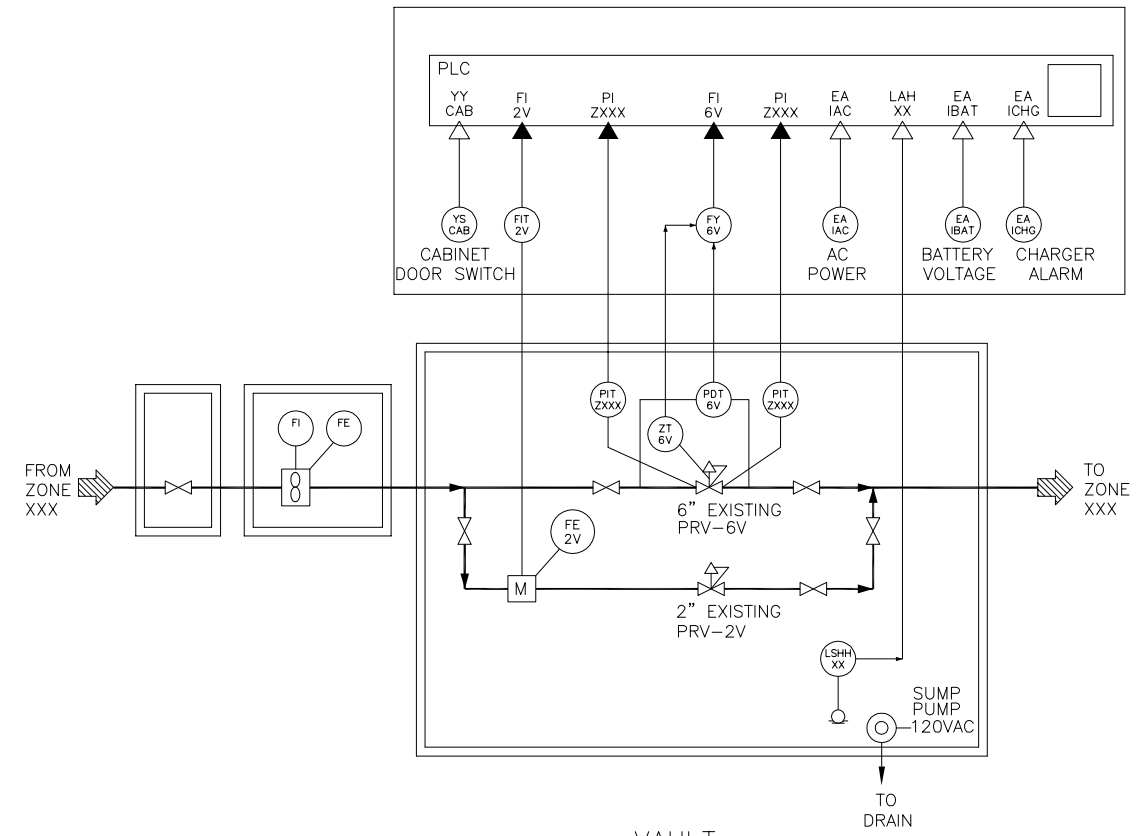
**SEATTLE PUBLIC UTILITIES  
DESIGN STANDARDS  
AND GUIDELINES**

|                |           |
|----------------|-----------|
| REVISION DATE: | 9/30/2010 |
| DRAWING #      | DRG 10-19 |
| SHEET          | OF        |



VAULT PLAN  
NTS

PLC - TYPE C



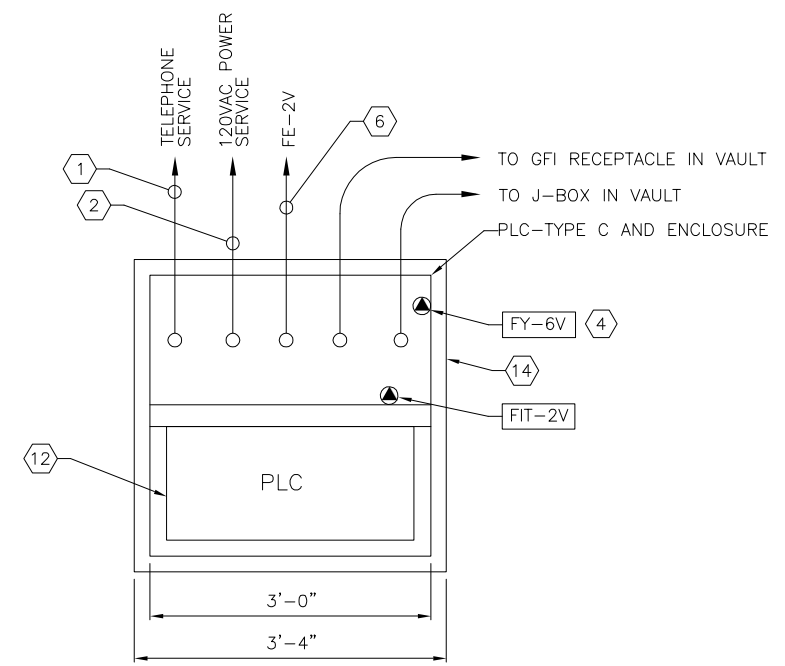
VAULT  
P&ID

KETNOTES:

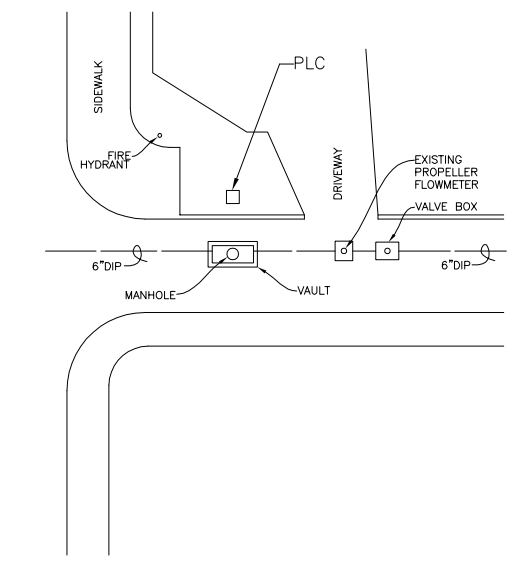
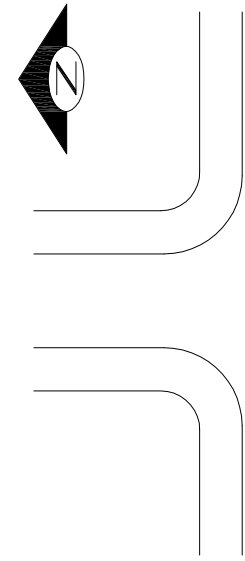
- 1 INSTALL FRAME RELAY TELEPHONE SERVICE PER SPU STANDARDS.
- 2 INSTALL 120VAC POWER SERVICE AND CONDUIT PER SPU STANDARDS.
- 3 INSTALL FLOOD SWITCH LSHH-XX PER MANUFACTURER'S INSTRUCTIONS. INSTALL CLA-VAL FLOW METER SYSTEM AT REGULATOR.
- 4 INSTALL PER MANUFACTURER'S INSTRUCTIONS. LOCATE CLA-VAL FLOW COMPUTATION MODULE AT PLC, INSTALL PER MANUFACTURER'S INSTRUCTIONS.
- 5 (1) TSP, 3/4" CONDUIT TO J-BOX, (ZT-6V).
- 6 (1) MANUFACTURER SUPPLIED CABLE, 1" CONDUIT TO PLC, (FE-2V).
- 7 (2) #14, 3/4" CONDUIT TO J-BOX, (LSHH-XX).
- 8 (1) TSP, 1" CONDUIT TO J-BOX, (PDT-6V).
- 9 (5) TSP, (2) #14, 2" CONDUIT, (PDT-6V, ZT-6V, XS-602, PIT-ZXXX, PIT-ZXXX, FIT-2V). (2) #12, #12G, 2" CONDUIT, (POWER).
- 10 (1) TSP, 1" CONDUIT TO J-BOX, (PIT-ZXXX).
- 11 PLC AND COMPONENTS SHOWN WITHIN THE PLC ENCLOSURE PROVIDED BY OWNER.
- 12 (1) TSP, 1" CONDUIT TO J-BOX, (PIT-ZXXX).
- 13 CONCRETE PAD FOR PLC ENCLOSURE PER SPU STANDARDS.
- 14 INSTALL 2" MAGNETIC FLOW METER PER MANUFACTURER'S INSTRUCTIONS. PROVIDE A MINIMUM OF 5 DIAMETERS UPSTREAM AND 5 DIAMETERS DOWNSTREAM OF THE METER FROM PIPE DISTURBANCES, SUCH AS ELBOW, GATE VALVE, OR PRV.
- 15

GENERAL NOTES:

- 1. EXISTING PIPING, EQUIPMENT & INSTRUMENTS ARE SHOWN LIGHT-LINED OR SCREENED.
- 2. CONDUIT RUNS ARE SHOWN DIAGRAMMATICALLY. DETERMINE ACTUAL CONDUIT RUNS IN THE FIELD.



PLC PLAN  
NTS



SITE PLAN  
NTS

| DSG REFERENCE - |               |      |         |           | NAME AND DATE DESIGNED: | APPROVED: | DATUM: |
|-----------------|---------------|------|---------|-----------|-------------------------|-----------|--------|
| DATE            | REVISION NAME | MADE | CHACKED | FINALIZED |                         |           |        |
|                 |               |      |         |           |                         |           |        |
|                 |               |      |         |           |                         |           |        |
|                 |               |      |         |           |                         |           |        |

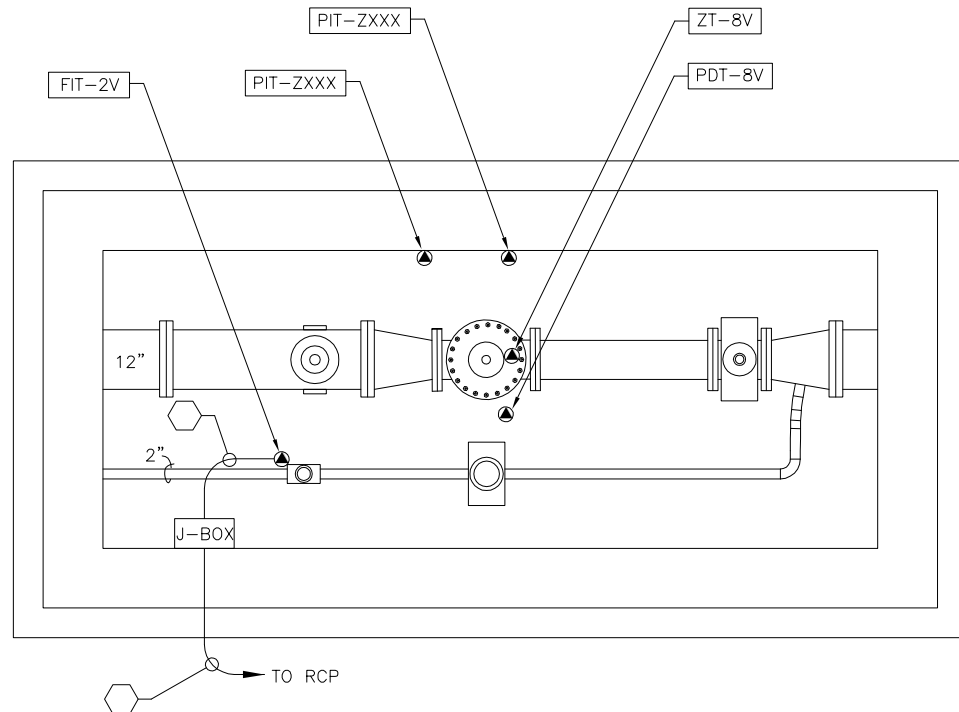
DRAWING NAME: SCADA CONTROL SYSTEM


**City of Seattle**  
 Ray Hoffman,  
 Director

SEATTLE PUBLIC UTILITIES  
DESIGN STANDARDS  
AND GUIDELINES

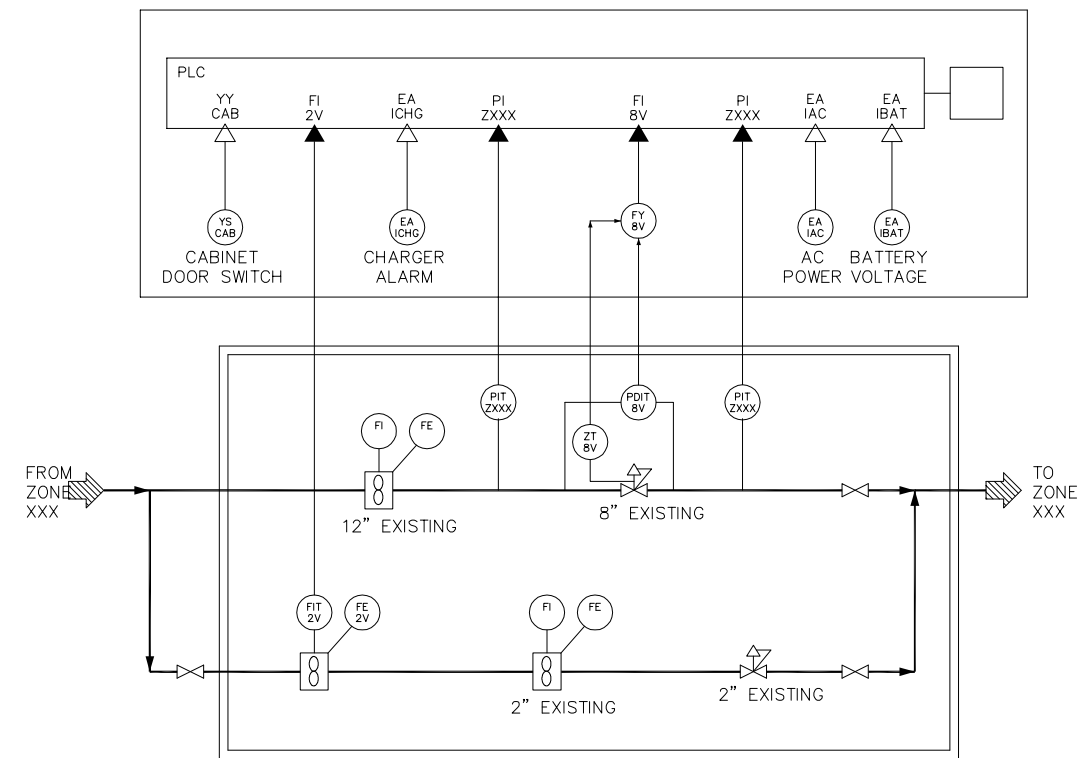
REVISION DATE:  
 9/30/2010  
 DRAWING #  
 DRG 10-20  
 SHEET OF

Removed for Security



VAULT PLAN  
NTS

RCP - TYPE C

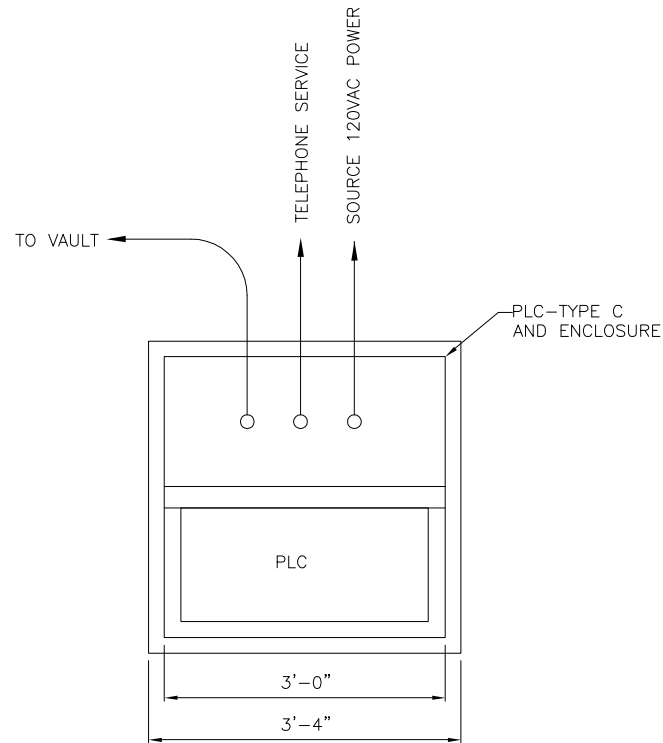


VAULT  
P&ID

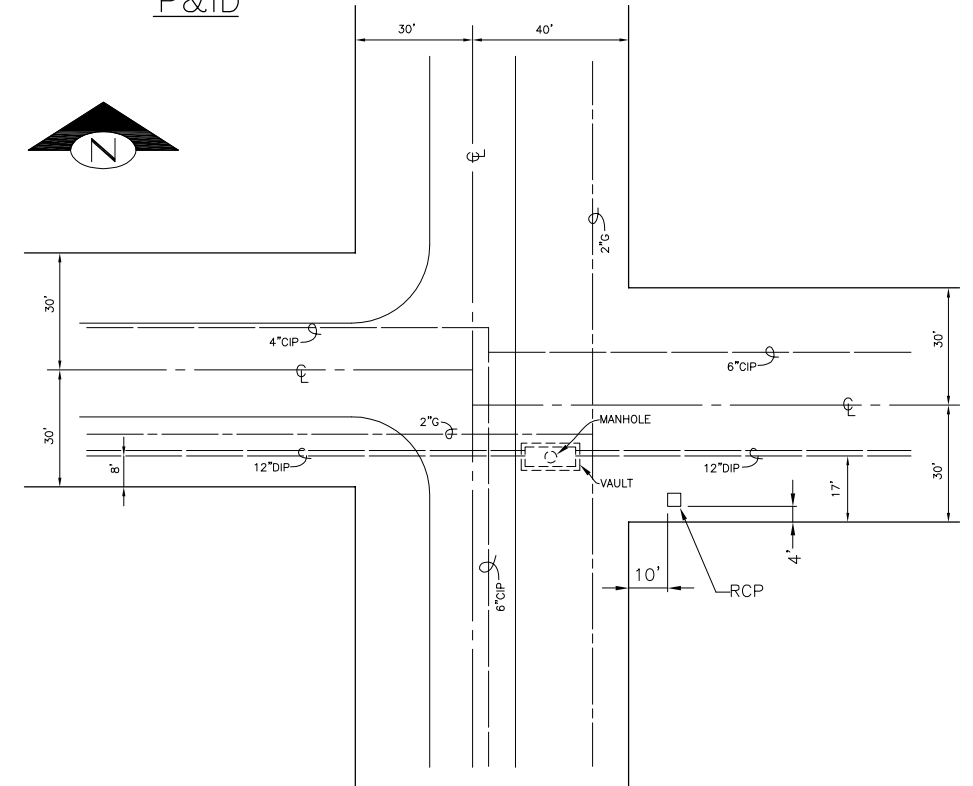
- 1 INSTALL RCP-TSR, TRANSMITTER PANEL AND ANTENNA PER DETAIL SHEET #61.
- 2 REMOVE CHART RECORDER, TONE TELEMETRY, AND MOUNTING POLE, RETURN TO OWNER. SAVE PRESSURE SENSE LINES. PULL NEW 110VAC POWER WIRING BETWEEN RCP AND POWER PEDESTAL. EXTEND EXISTING SENSE LINE CONDUIT UNDERGROUND TO TRANSMITTER PANEL PER SECTION 16110. EXTEND EXISTING 110VAC POWER CONDUIT UNDERGROUND TO RCP PER SECTION 16110.
- 3 INSTALL FLOOD SWITCH XS-602 PER MANUFACTURE INSTRUCTIONS.
- 4 INSTALL CLA-VAL FLOW METER SYSTEM AT REGULATORS (2 PLACES), INSTALL PER MANUFACTURE INSTRUCTIONS. LOCATE CLA-VAL FLOW COMPUTATION MODULE(S) AT RCP, INSTALL PER MANUFACTURE INSTRUCTIONS .
- 5 (2) TSP, 3/4" CONDUIT TO J-BOX, (PDT-305, ZT-305)
- 6 (2) TSP, 1" CONDUIT TO J-BOX, (PDT-306, ZT-306)
- 7 (2) #14, 3/4" CONDUIT TO J-BOX, (XS-602)
- 8 (2) 3/8" COPPER TUBE, 2" CONDUIT, (UPSTREAM PRESSURE, DOWNSTREAM PRESSURE) CORE DRILL VAULT FOR 2" CONDUIT. INSTALL CONDUIT FROM CORE DRILL TO TRANSMITTER PANEL. INSTALL 3/8" COPPER FROM OWNER SUPPLIED ISOLATION VALVES ON PRV'S THROUGH NEW CONDUIT TO TRANSMITTER PANEL, CONNECT TO TRANSMITTER PER P&ID. USE METAL CLAMPS EVERY 36" ANCHORED TO VAULT WALL TO SECURE COPPER TUBING IN VAULT.
- 9 (4) TSP, (2) #14, 2" CONDUIT, (PDT-305, 306, ZT-305, 306, XS-602)
- 10 (2) #12, #12G, 2" CONDUIT, (POWER)
- 11 (2) TSP, (2) #14, 1" CONDUIT, (PIT-301, 302, XS-602).
- 12 RCP AND COMPONENTS SHOWN WITHIN THE RCP, PROVIDED BY OWNER.

GENERAL NOTES:

1. EXISTING PIPING, EQUIPMENT & INSTRUMENTS ARE SHOWN LIGHT-LINED OR SCREENED.
2. CONDUIT RUNS ARE SHOWN DIAGRAMMATICALLY. DETERMINE ACTUAL CONDUIT RUNS IN THE FIELD.



RCP PLAN  
NTS



SITE PLAN  
NTS

| DSG REFERENCE - |               |      |         |           | NAME AND DATE DESIGNED:      |
|-----------------|---------------|------|---------|-----------|------------------------------|
| DATE            | REVISION NAME | MADE | CHACKED | FINALIZED |                              |
|                 |               |      |         |           | APPROVED: _____ DATUM: _____ |
|                 |               |      |         |           |                              |

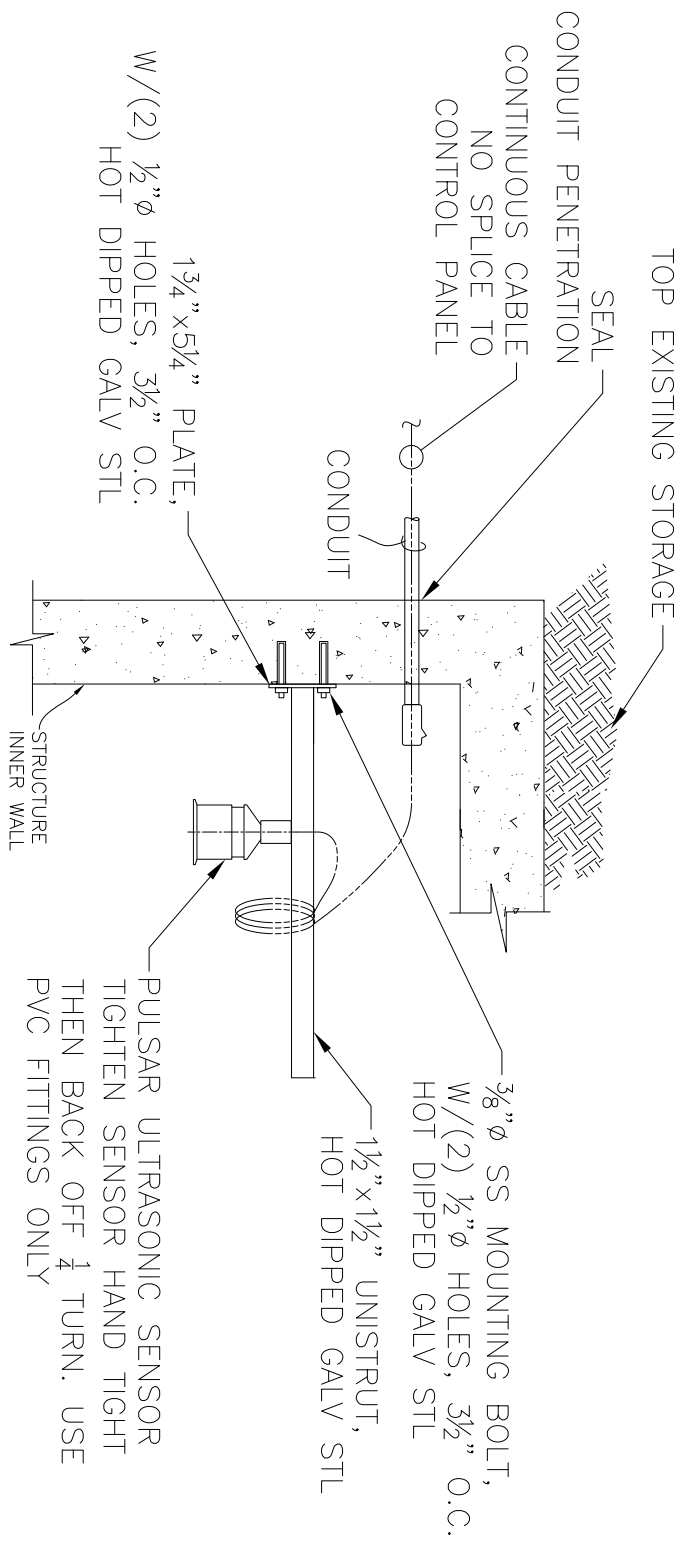
DRAWING NAME: SCADA CONTROL SYSTEM

**Seattle Public Utilities** **City of Seattle**  
Ray Hoffman, Director

SEATTLE PUBLIC UTILITIES  
DESIGN STANDARDS  
AND GUIDELINES

REVISION DATE: 9/30/2010  
DRAWING # DRG 10-21  
SHEET OF

Remove  
d for  
Security

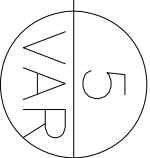


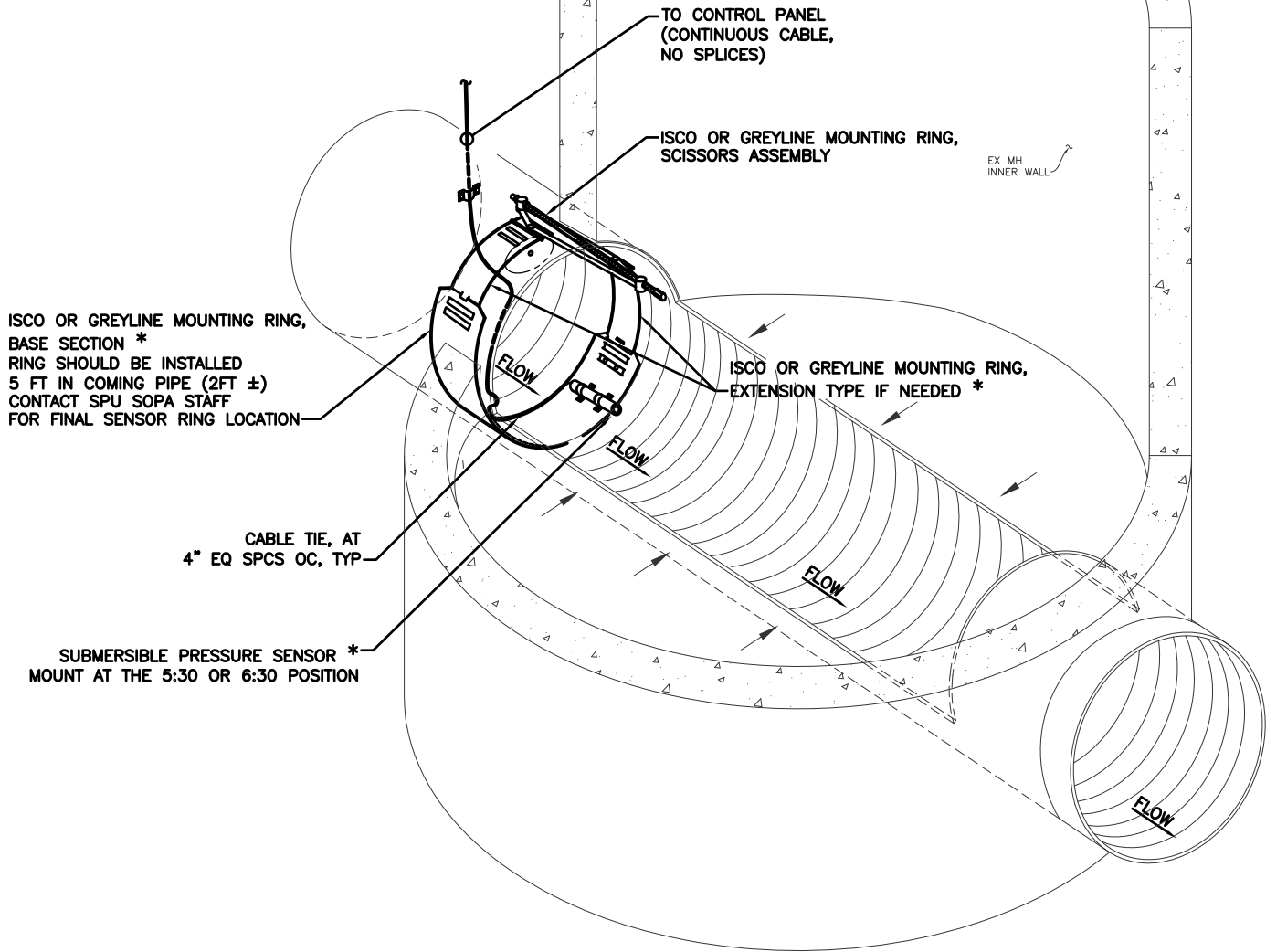
SECTION

TYPICAL ULTRASONIC LEVEL SENSOR

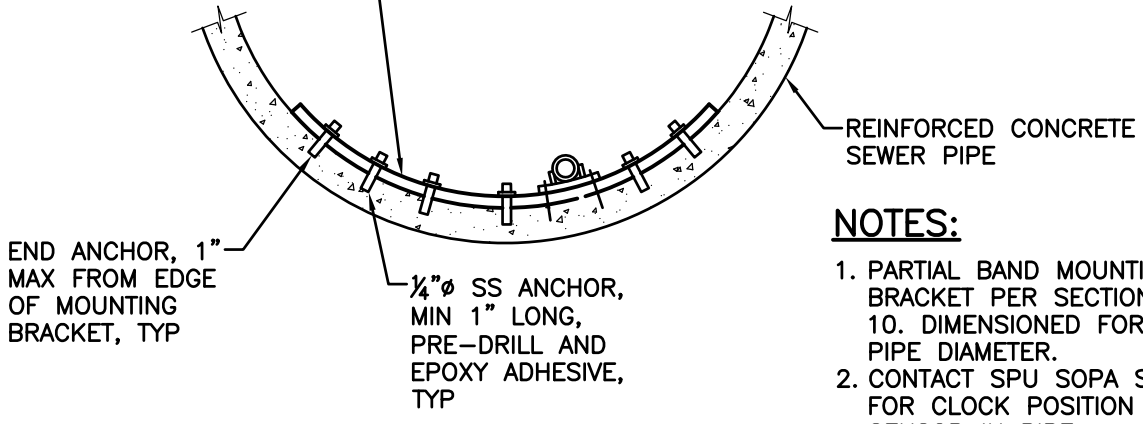
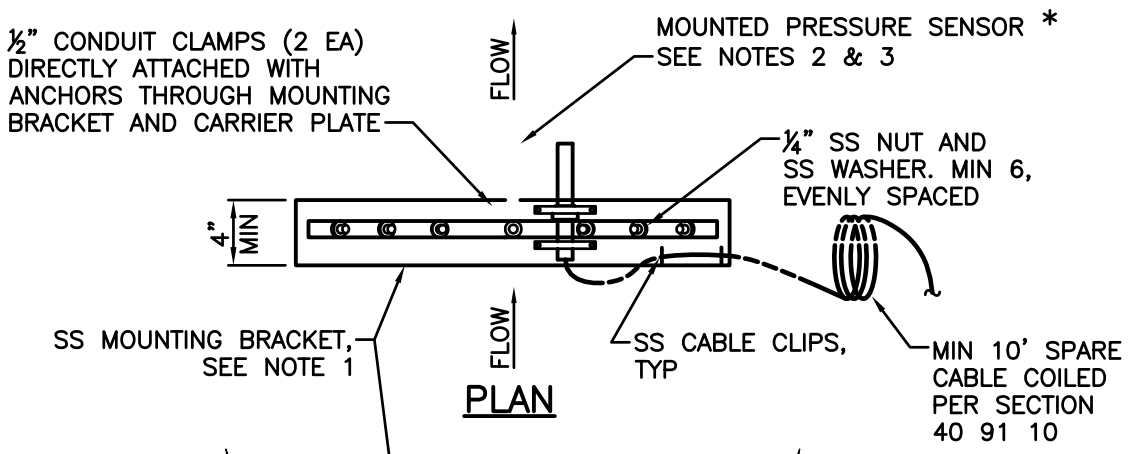
W/ BRACKET

NTS





**SUBMERSIBLE PRESSURE SENSOR**  
**FULL RING**  
**INSTALLATION DETAIL**  
 NTS



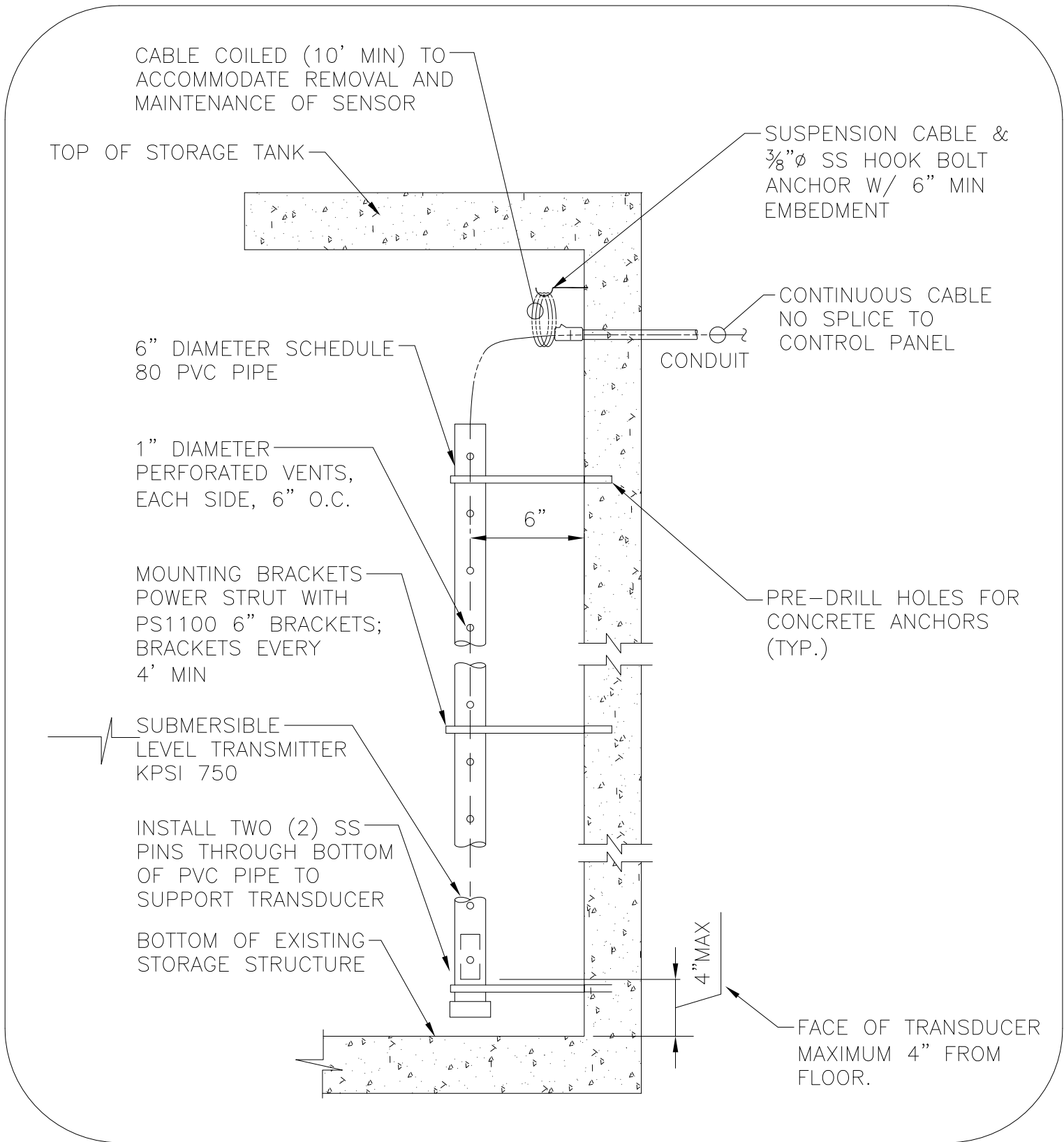
**NOTES:**

1. PARTIAL BAND MOUNTING BRACKET PER SECTION 40 91 10. DIMENSIONED FOR SEWER PIPE DIAMETER.
2. CONTACT SPU SOPA STAFF FOR CLOCK POSITION OF SENSOR IN PIPE.
3. SENSOR MOUNTED WITH CABLE END FACING UPSTREAM.

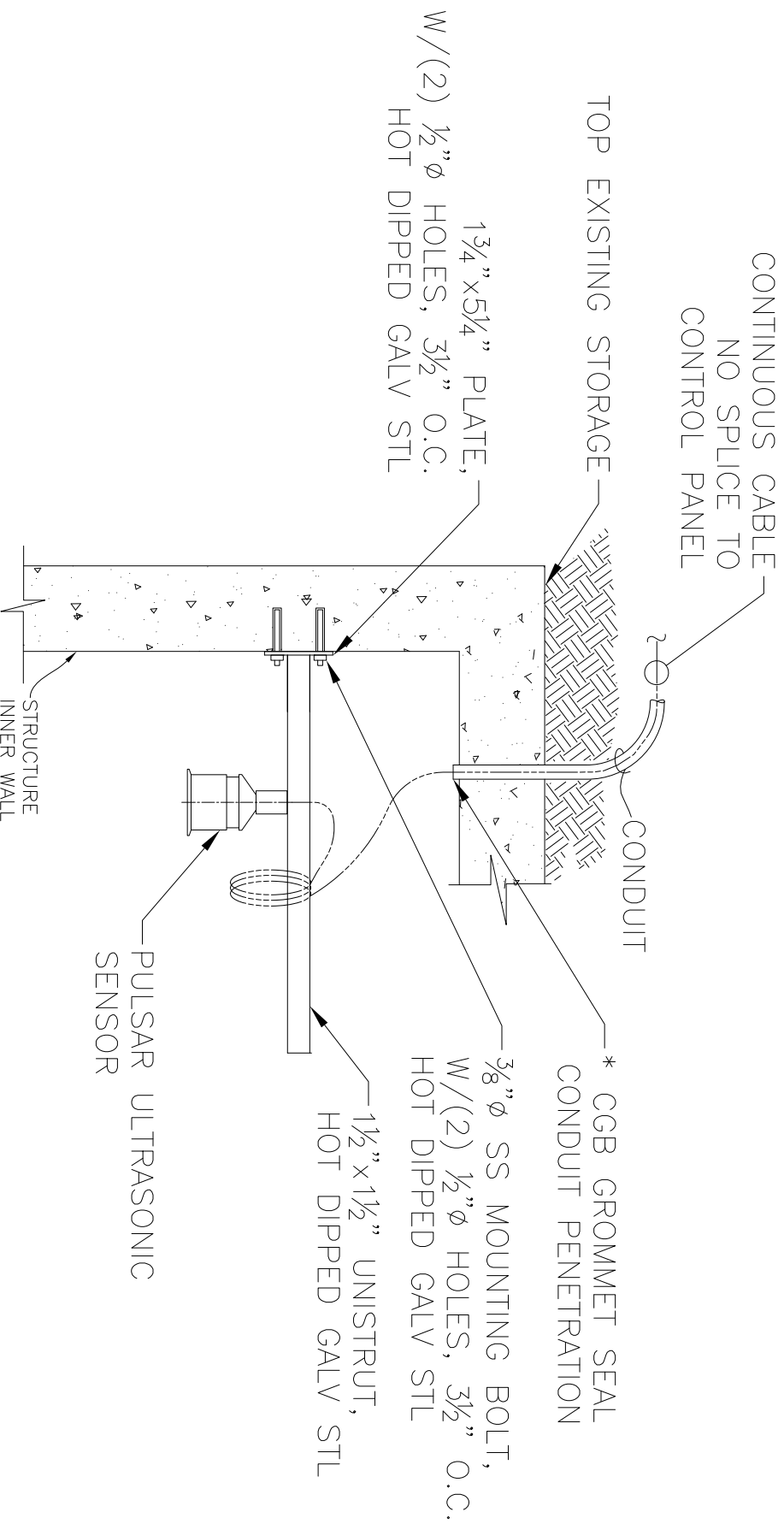
\* SEE "MONITORING EQUIPMENT SPECIFICATIONS TABLE" FOR SPEC.

**SUBMERSIBLE PRESSURE SENSOR**  
**PARTIAL RING**  
**INSTALLATION DETAIL**  
 NTS



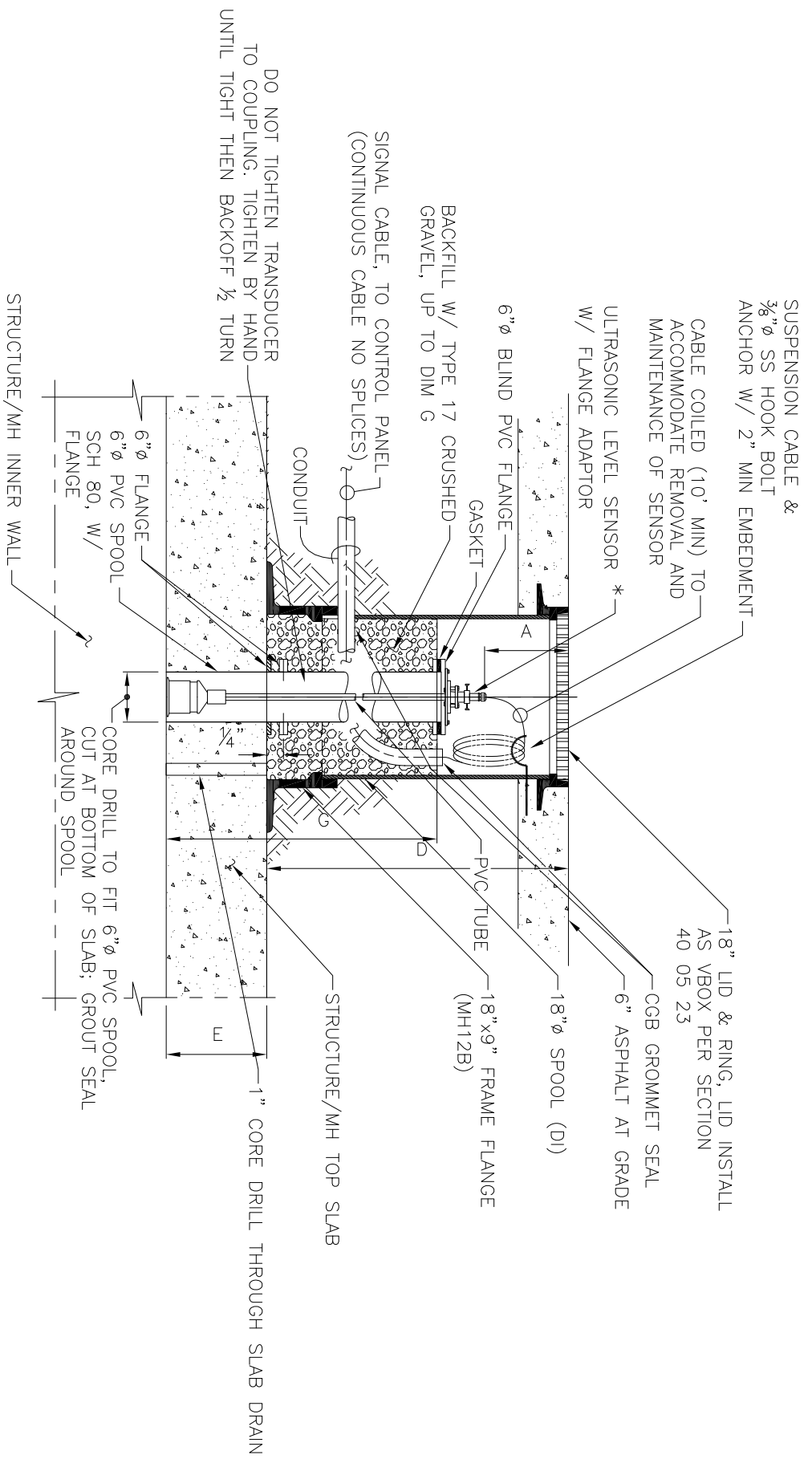


KPSI PRESSURE TRANSDUCER  
IN STILLING WELL



TYPICAL ULTRASONIC LEVEL SENSOR

W/ BRACKET  
NTS

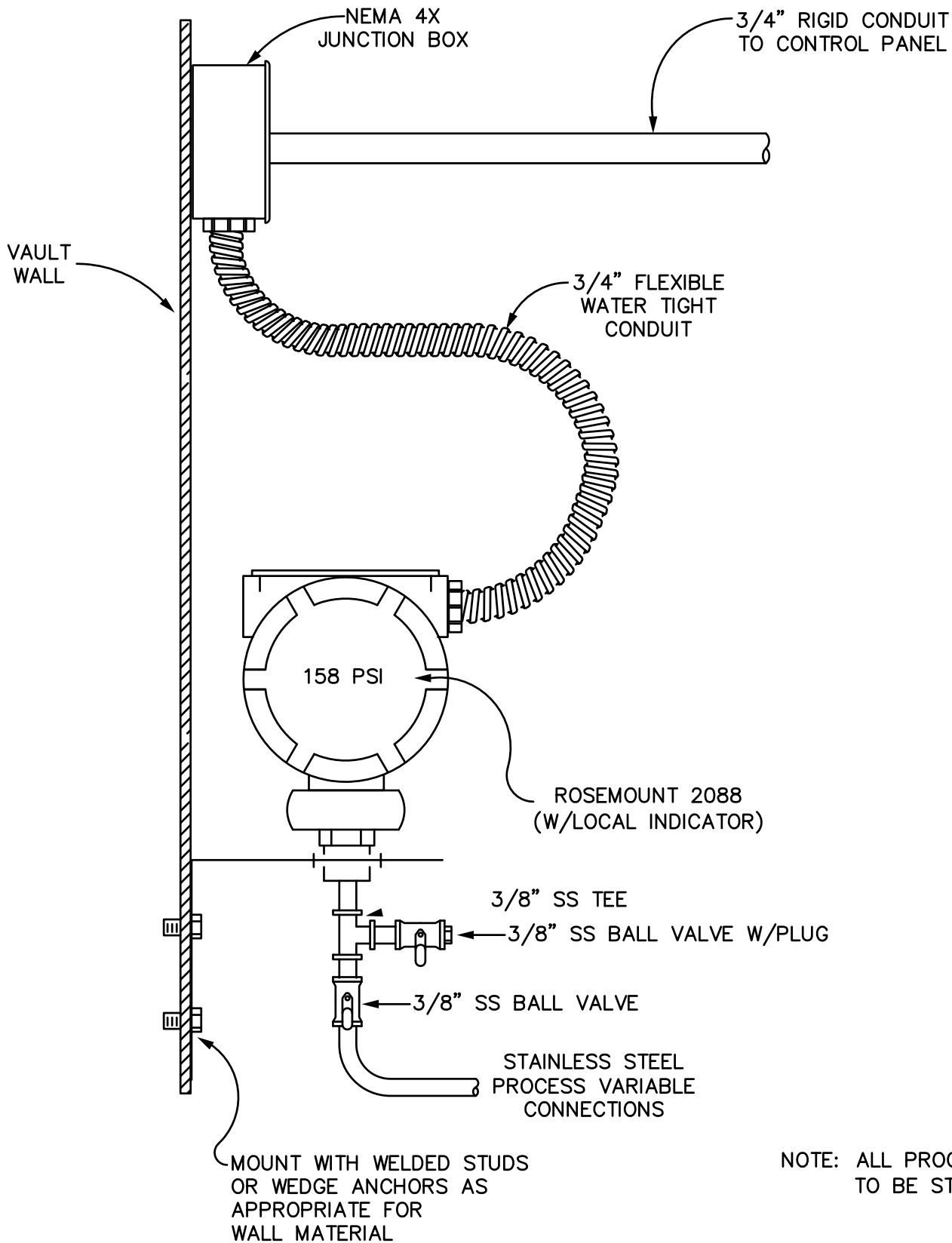


\* SEE "MONITORING EQUIPMENT SPECIFICATIONS TABLE" FOR SPEC.

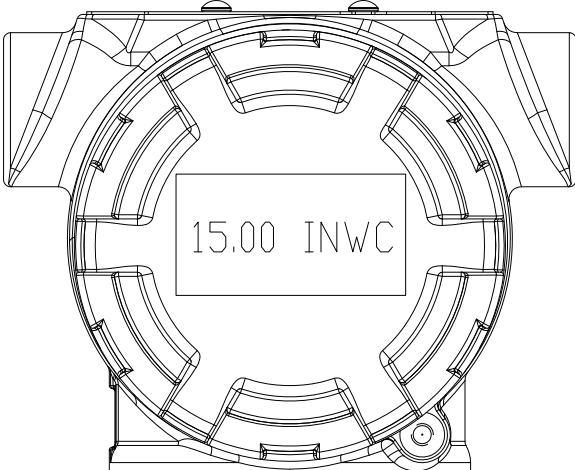
(PULSAR ULTRASONIC SENSOR)

TYPICAL ULTRASONIC LEVEL SENSOR  
 INSTALLATION THROUGH STRUCTURE SLAB DETAIL

SCALE: 1"=1'-0"



ROSEMOUNT 3051

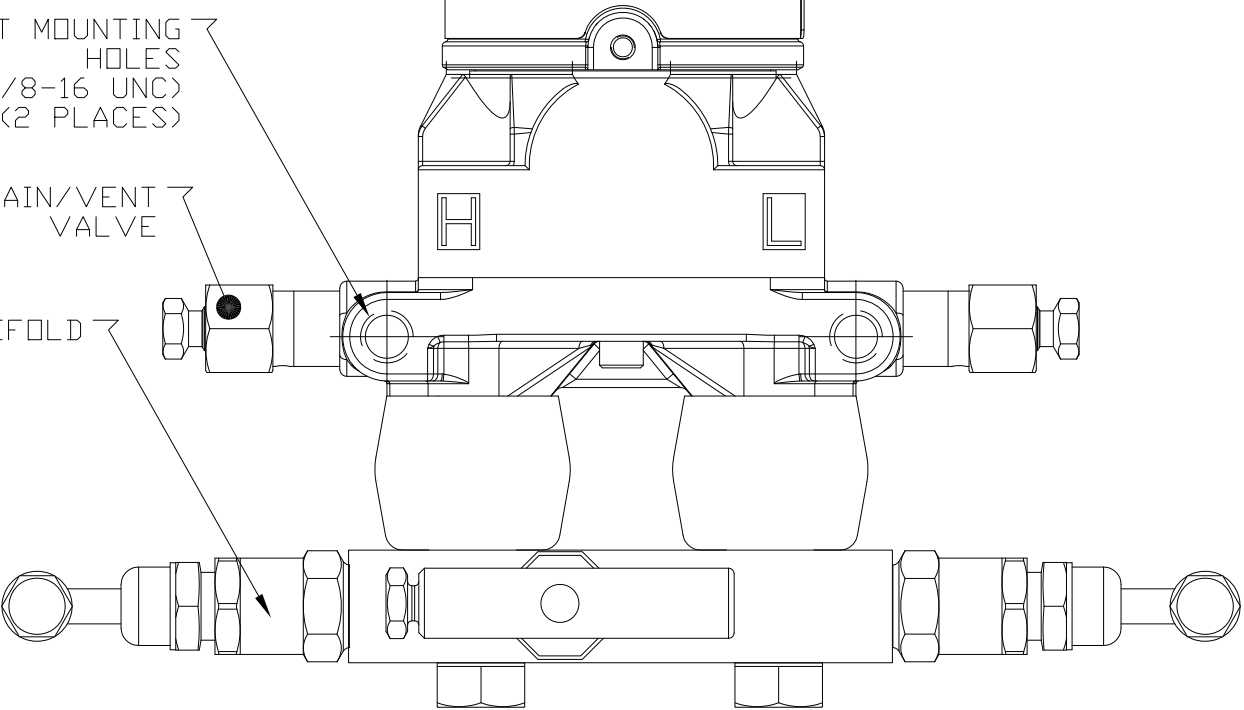


15.00 INWC

BRACKET MOUNTING HOLES  
(3/8-16 UNC)  
(2 PLACES)

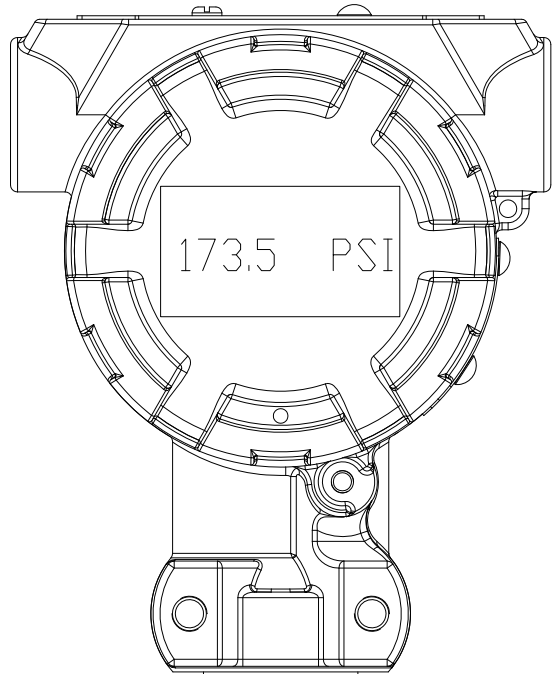
DRAIN/VENT VALVE

3 WAY MANIFOLD

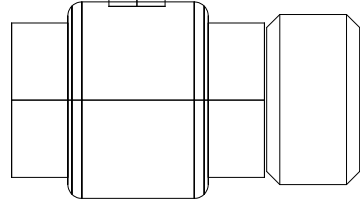
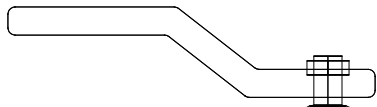


DIFFERENTIAL PRESSURE

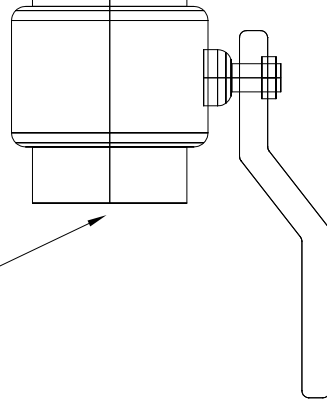
ROSEMOUNT 2088



CALIBRATION TEST PORT



PROCESS CONNECTION



GAUGE PRESSURE