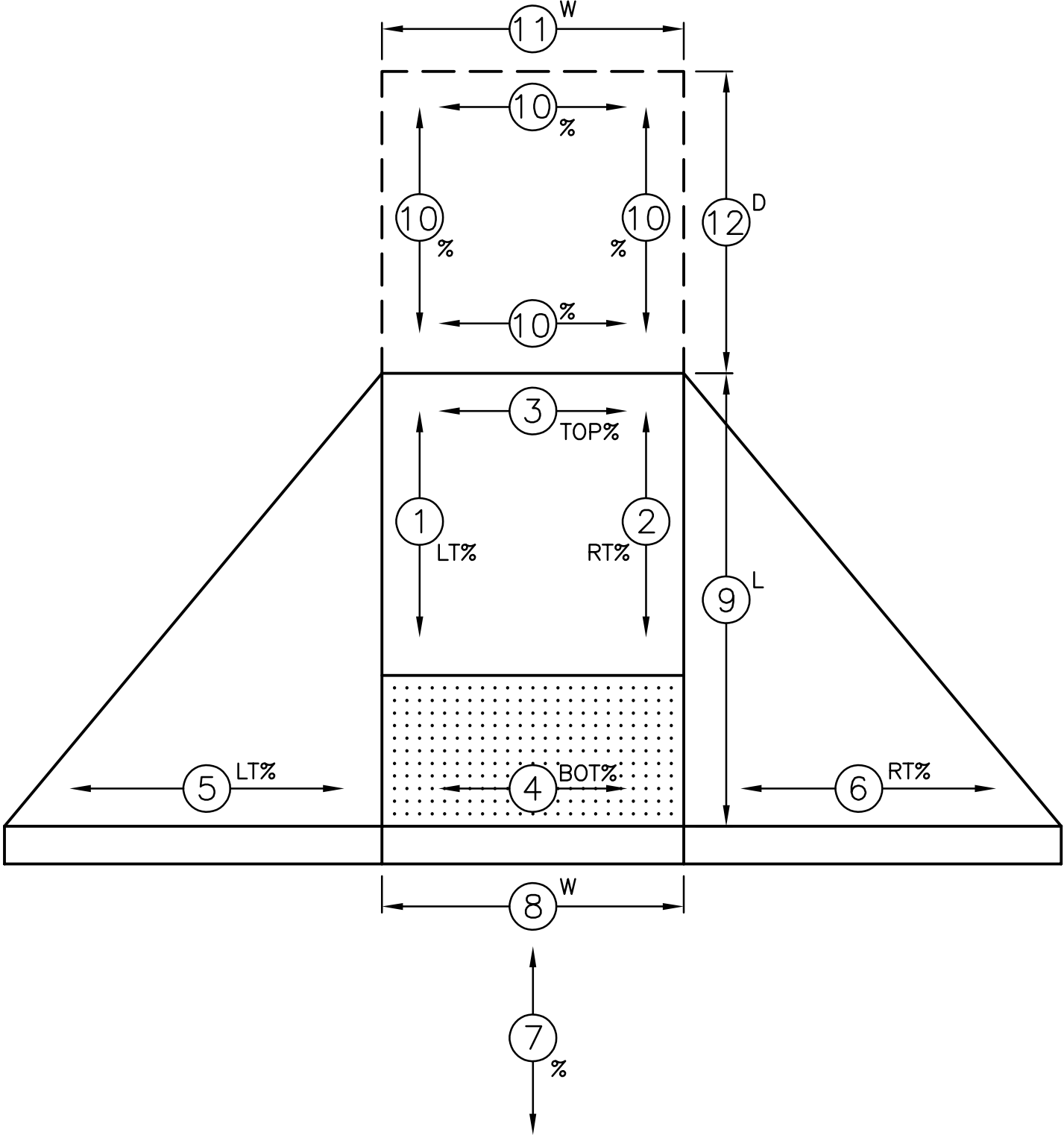
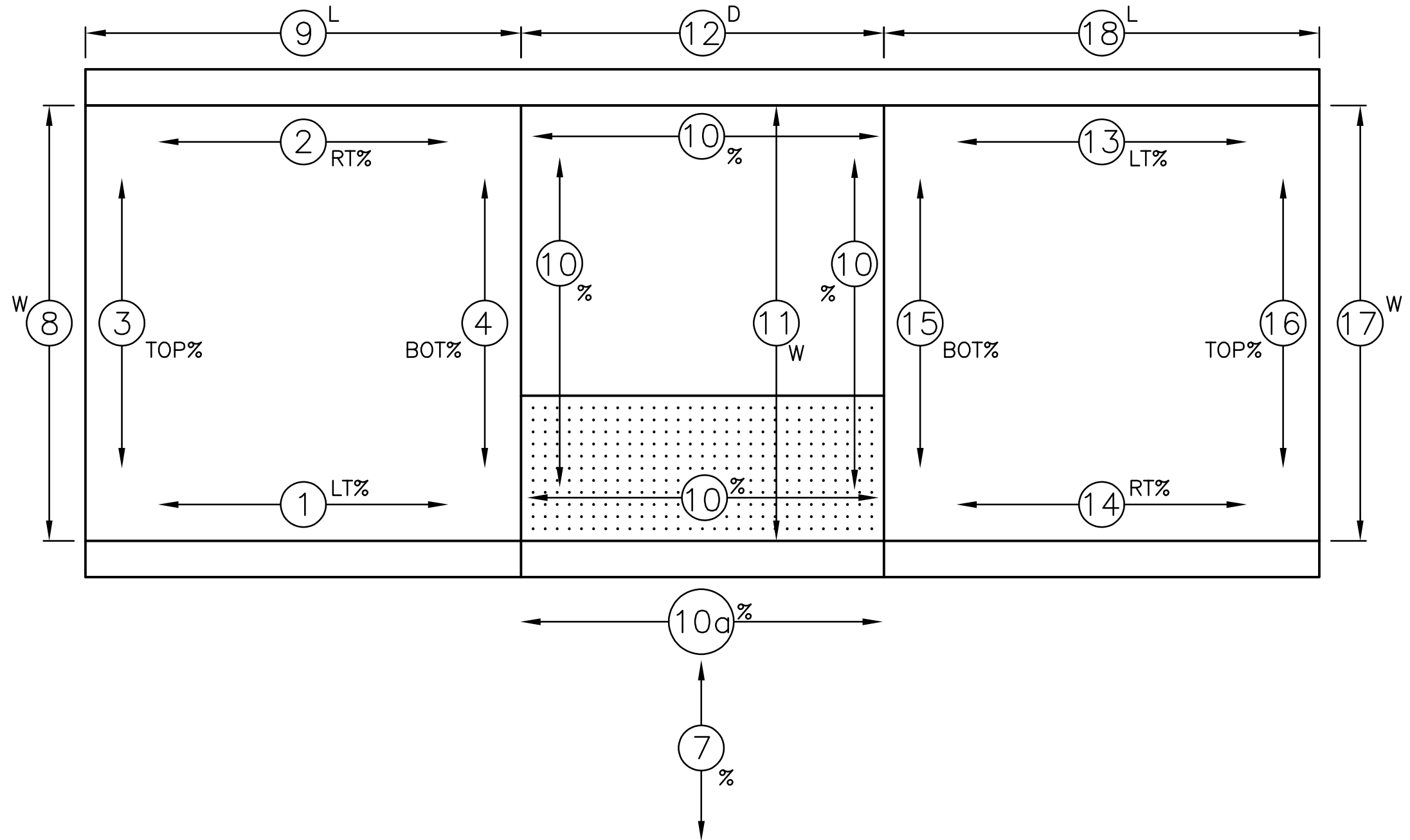


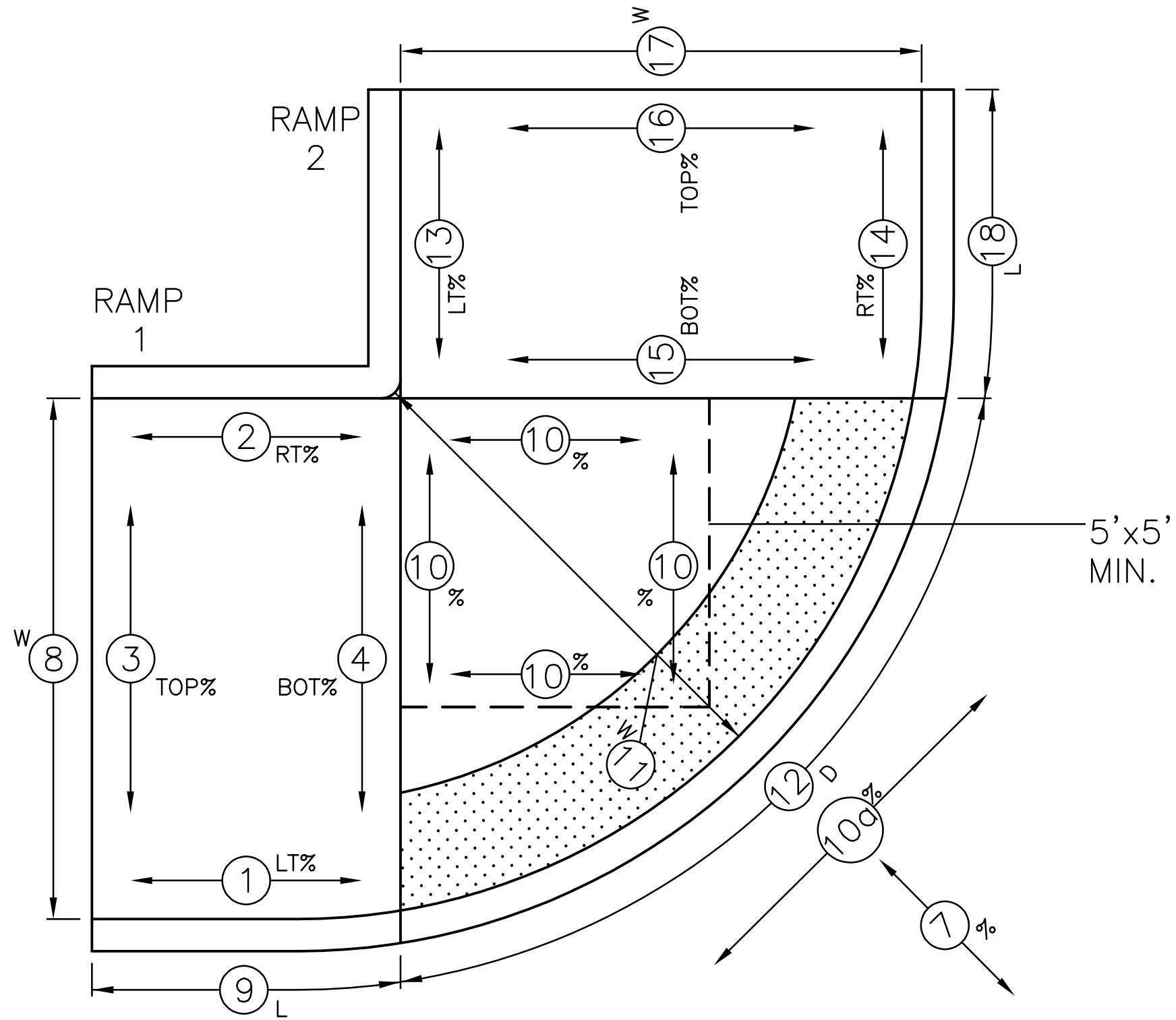
Curb Ramp Inspection
Perpendicular Curb Ramp
Diagram: Type 422a



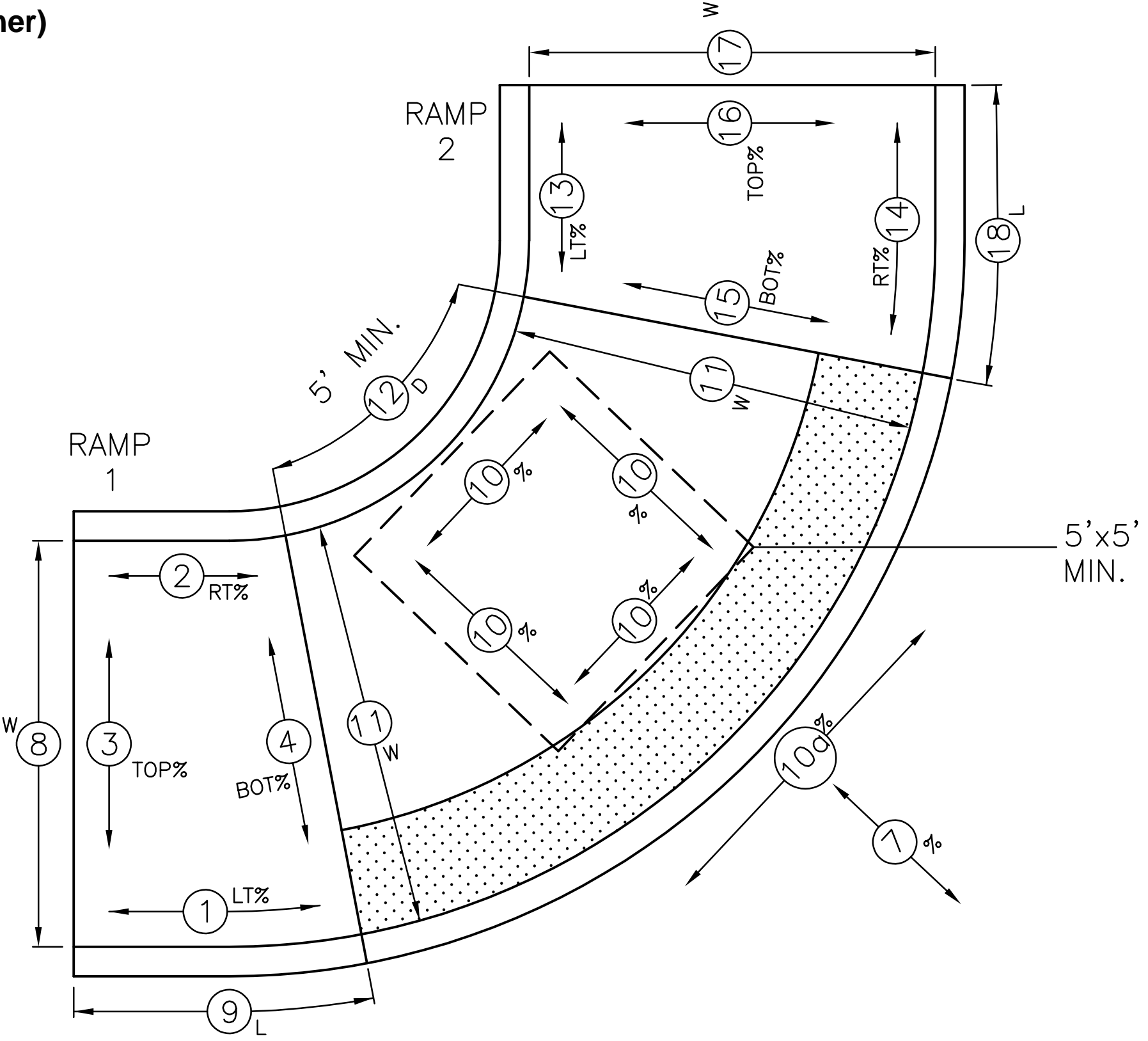
Curb Ramp Inspection
Parallel Curb Ramp
Diagram: Type 422b



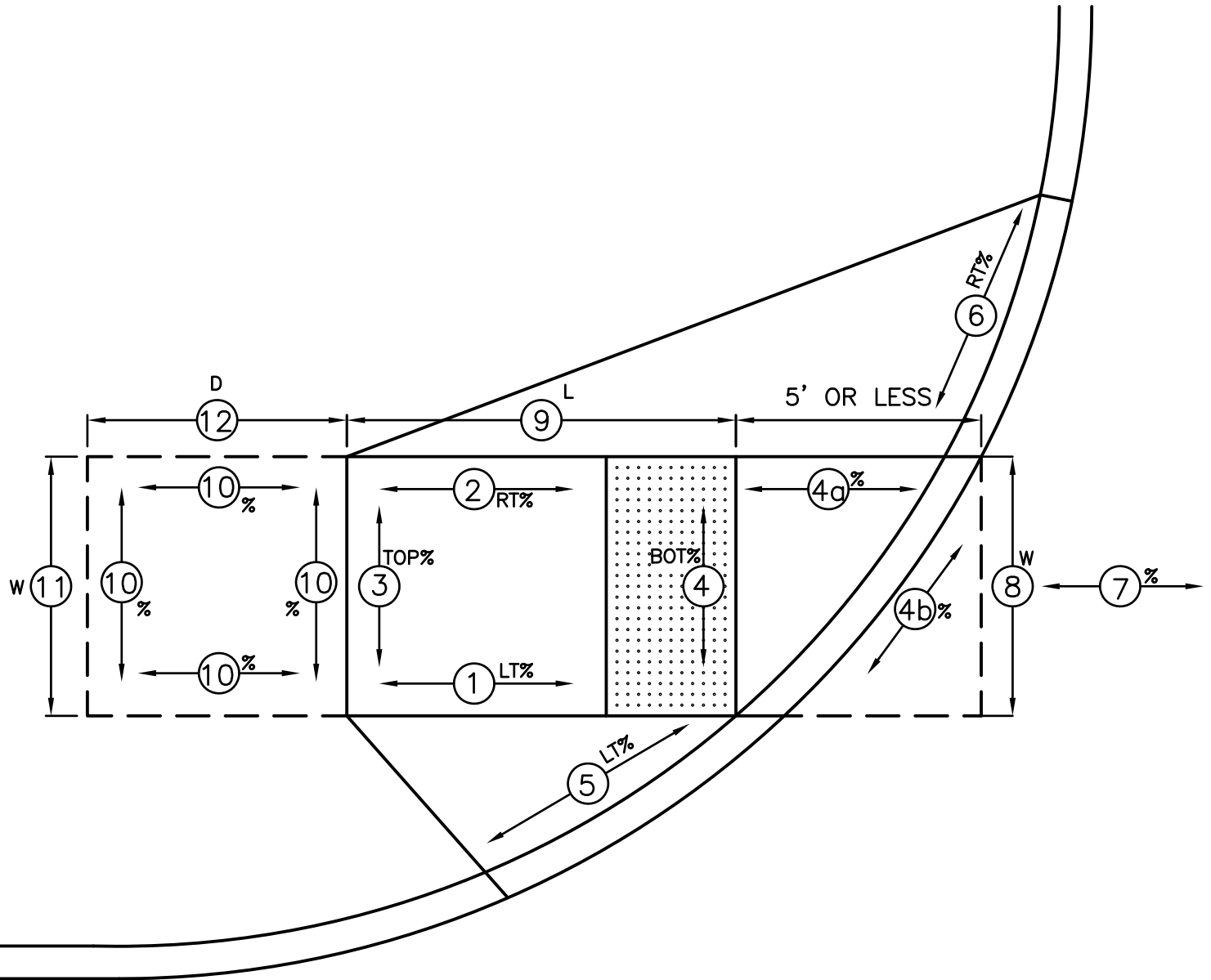
Curb Ramp Inspection
Parallel Curb Ramp (Corner)
Diagram: Type 422c



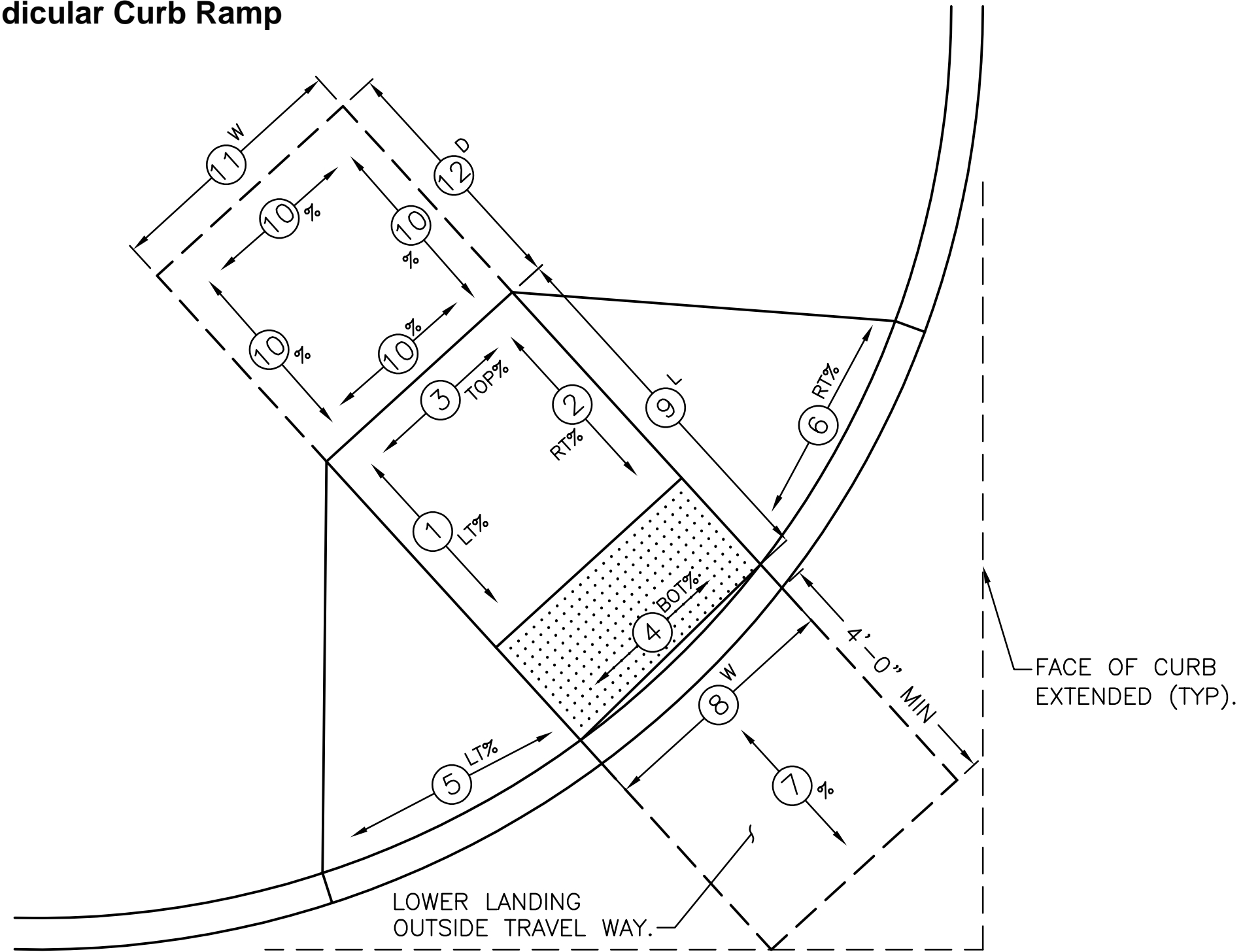
Curb Ramp Inspection
Parallel Curb Ramp (Corner)
Diagram: Type 422c



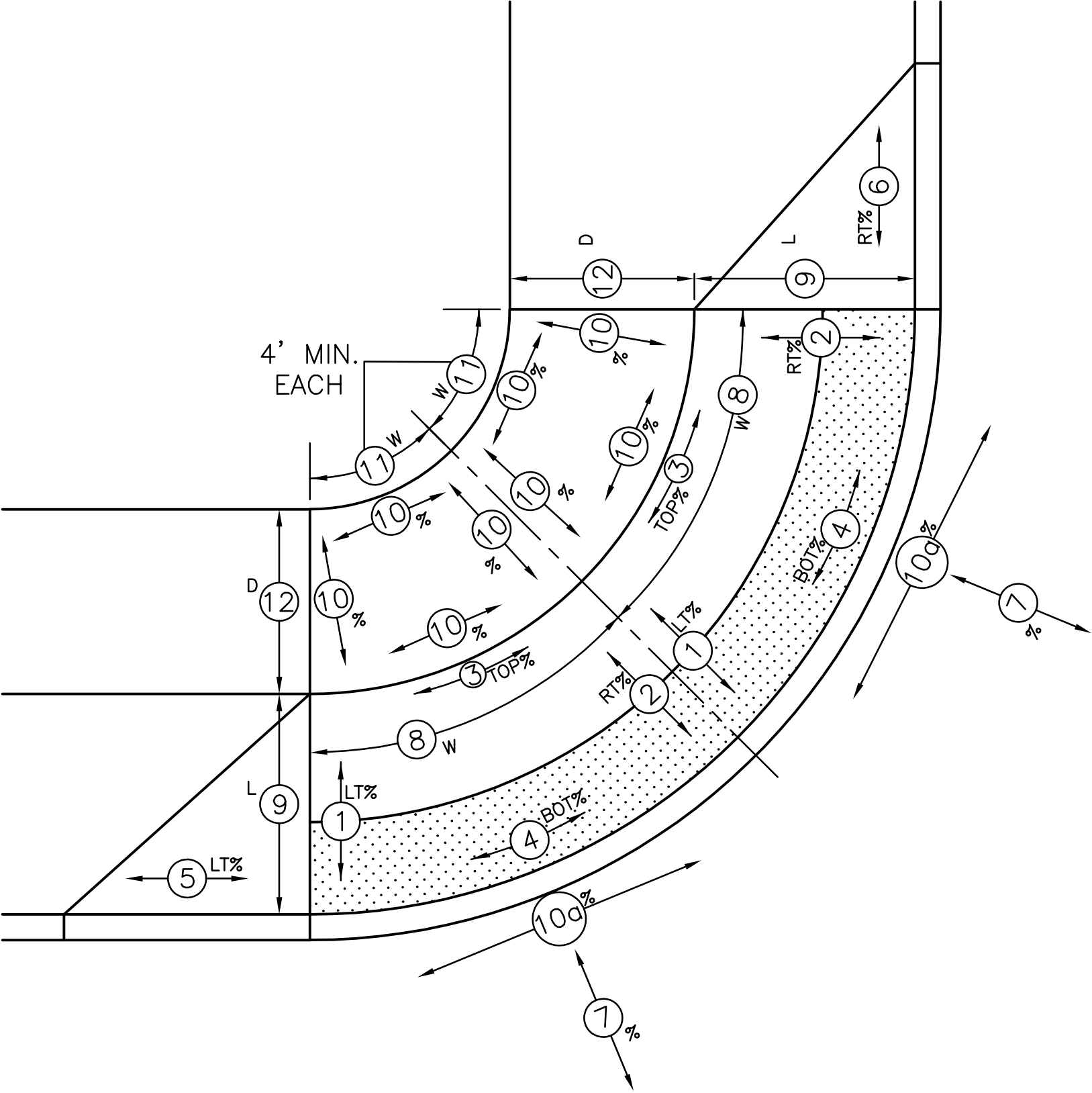
Curb Ramp Inspection
Directional Curb Ramp
Diagram: Type 422d

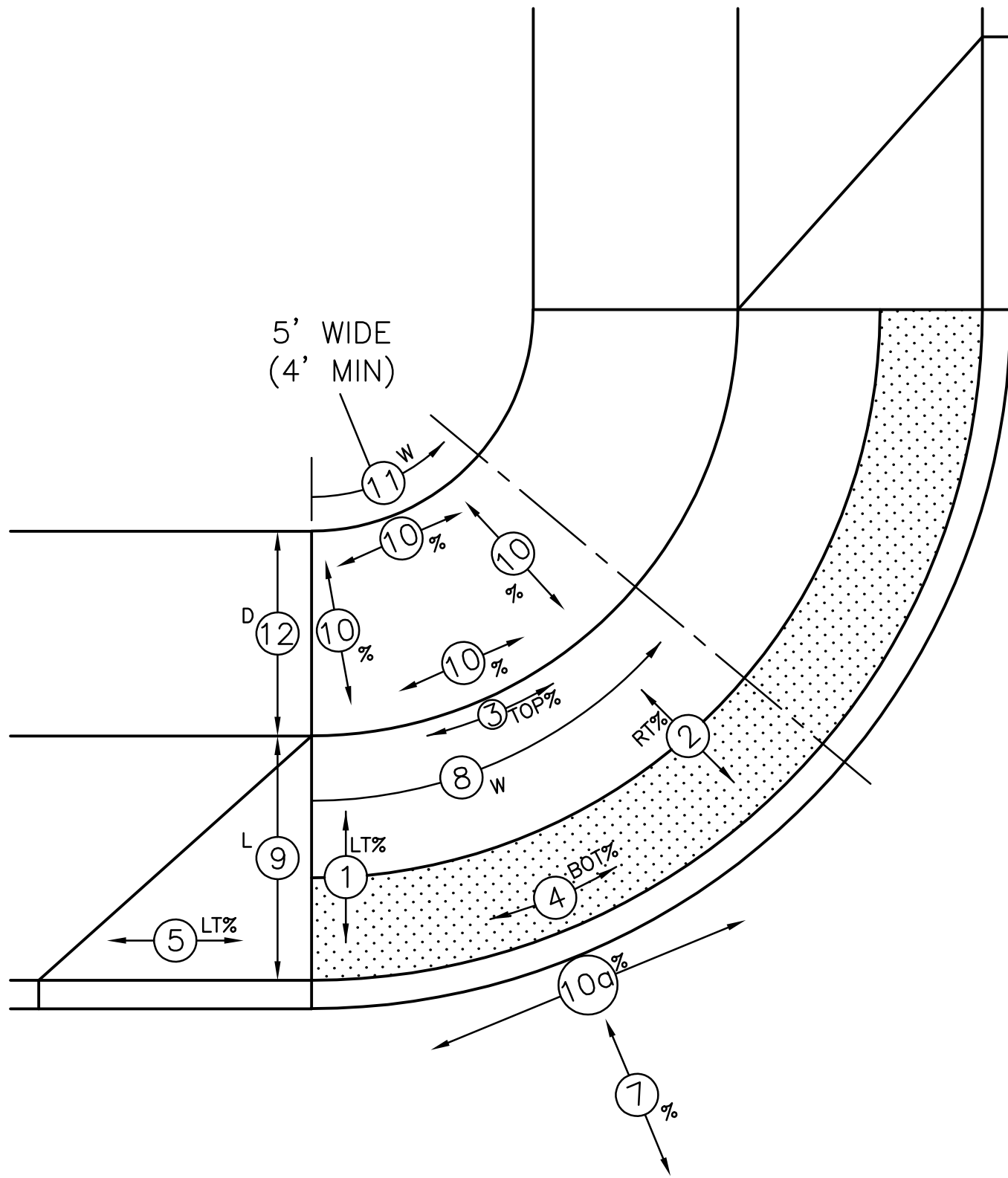


Curb Ramp Inspection
Shared/Bisector Perpendicular Curb Ramp
Diagram: Type 422f

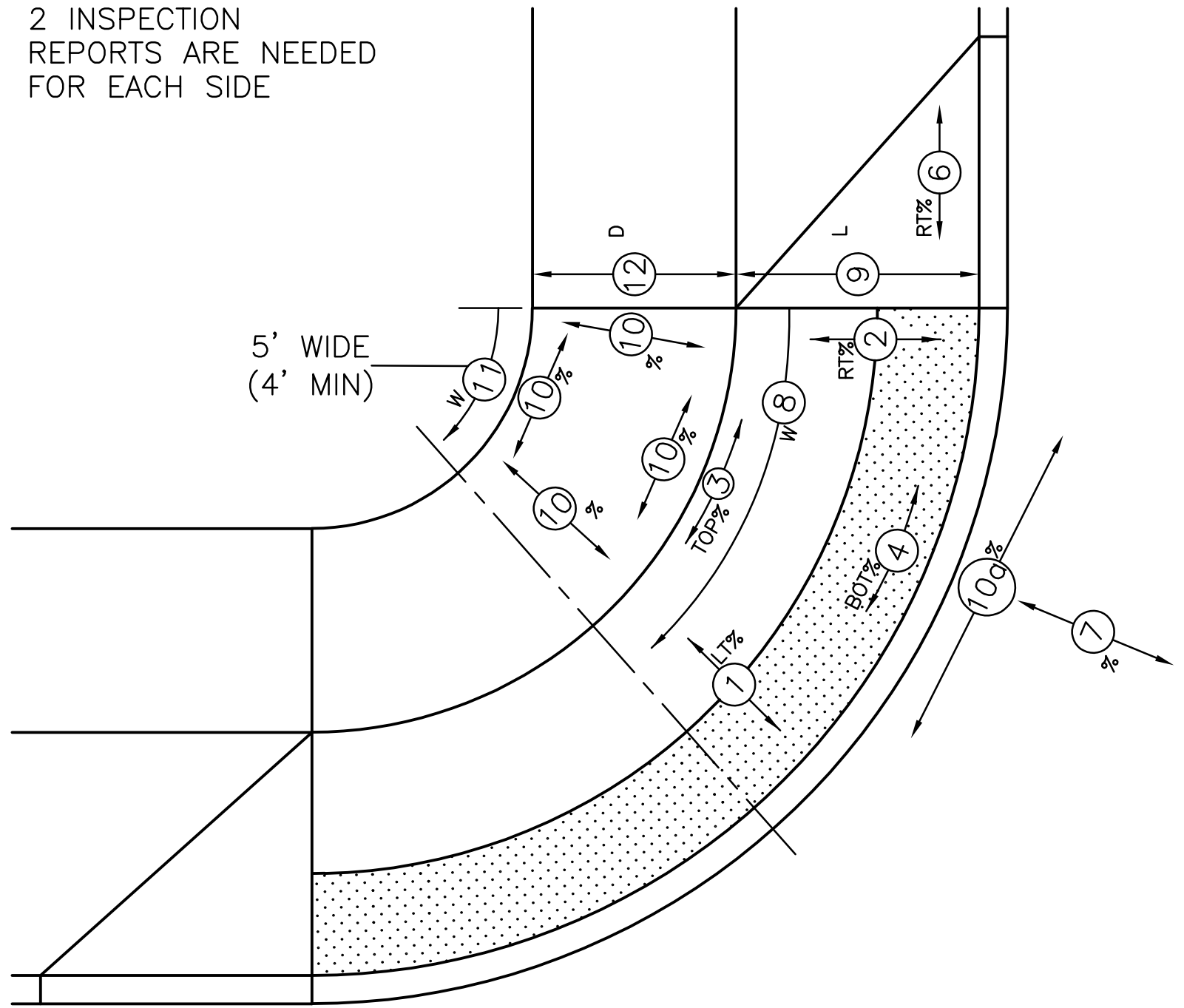


Curb Ramp Inspection
Blended Transition
Diagram: Type 422g

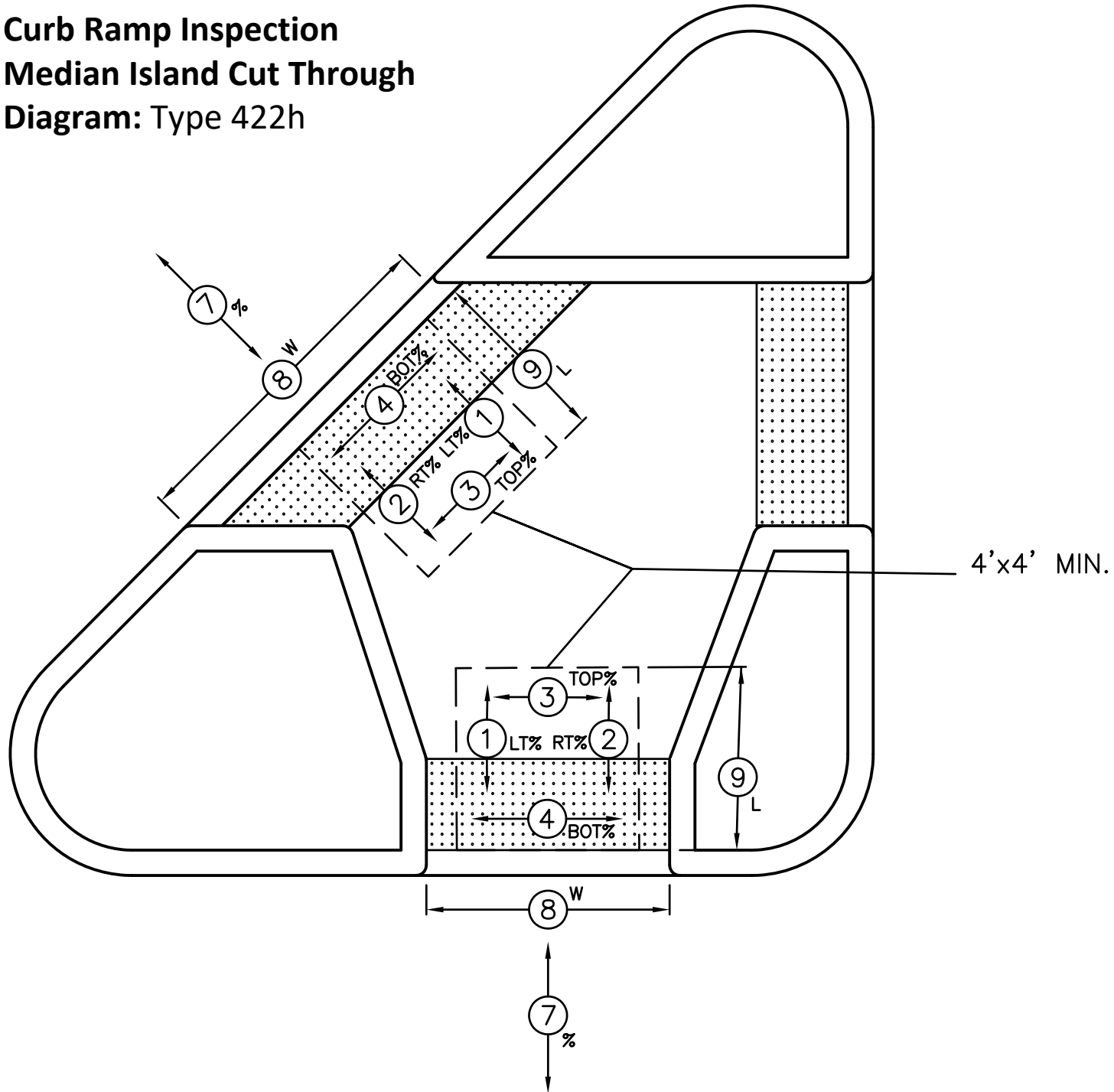




2 INSPECTION
REPORTS ARE NEEDED
FOR EACH SIDE



Curb Ramp Inspection
Median Island Cut Through
Diagram: Type 422h



Curb Ramp Inspection

Diagram: Flush Transition

