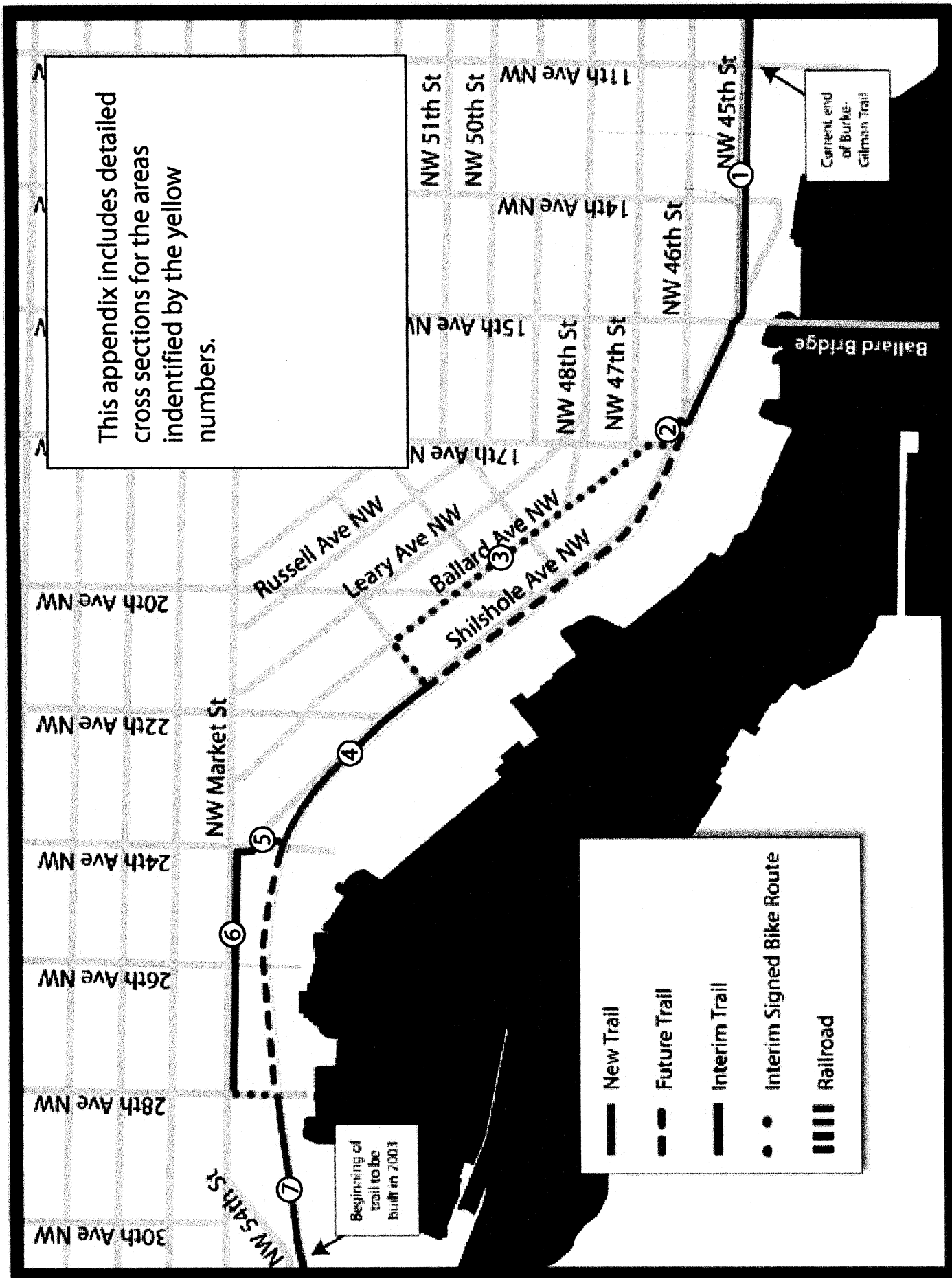
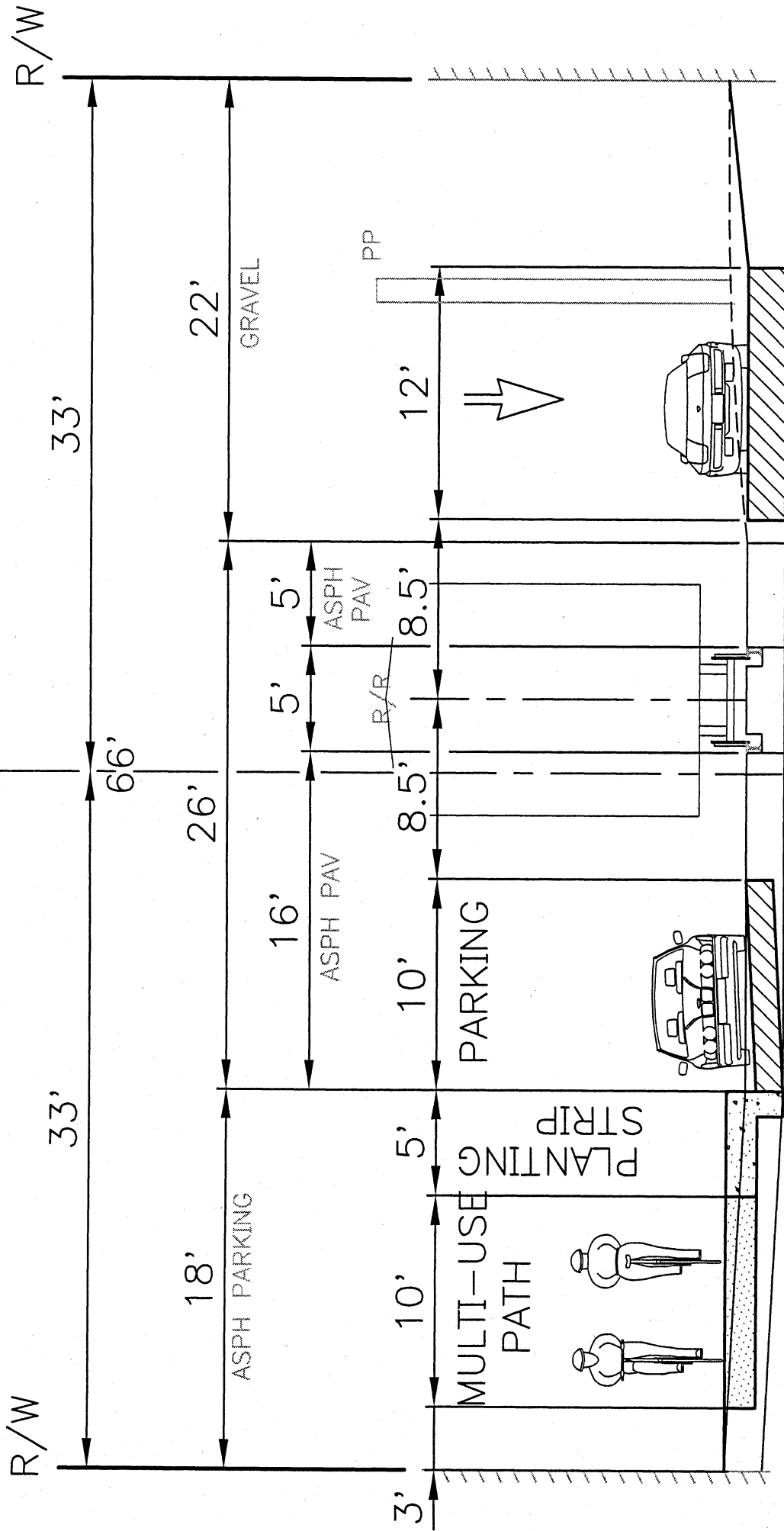


# **Appendix E: Cross Section Guide**

# Recommended Bicycle and Pedestrian Route Between 11th Avenue NW and the Ballard Locks



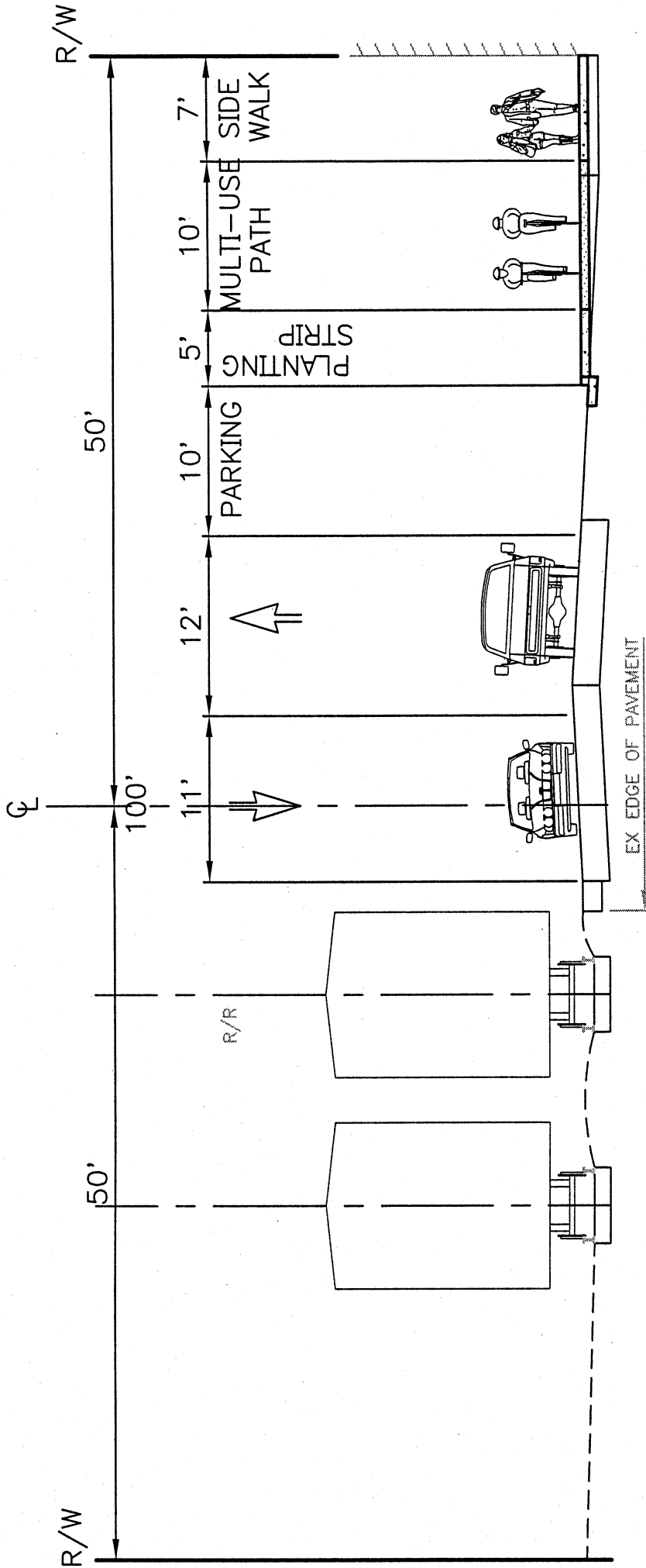
①



SECTION C-C<sub>1</sub>

NW 45TH ST  
11TH AVE NW TO 14TH AVE NW

2

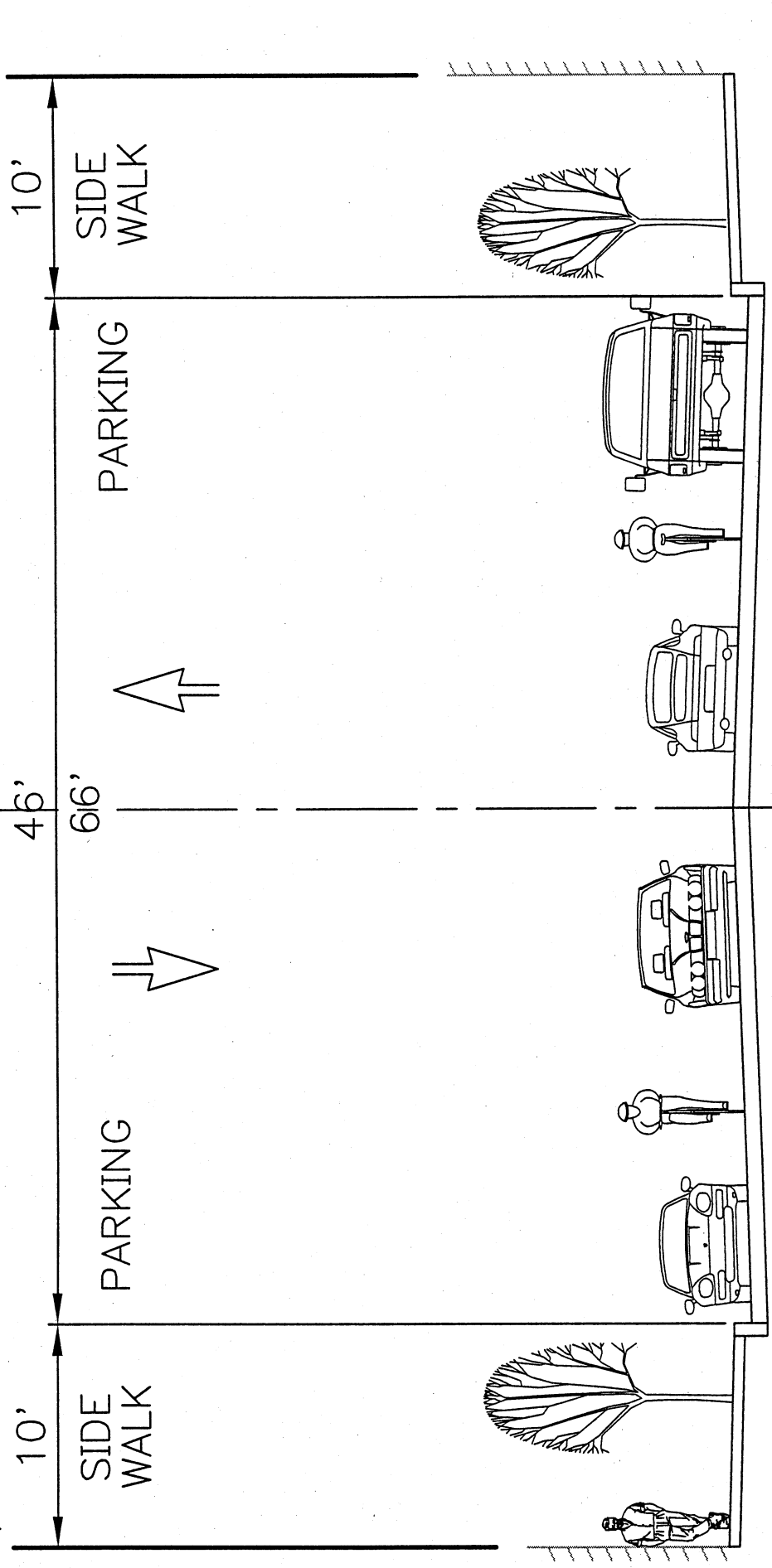


**SECTION A-A3**  
**SHILSHOLE AVE NW**  
**@ 17TH AVE NW**  
SCALE: 1" = 10'

3

♀

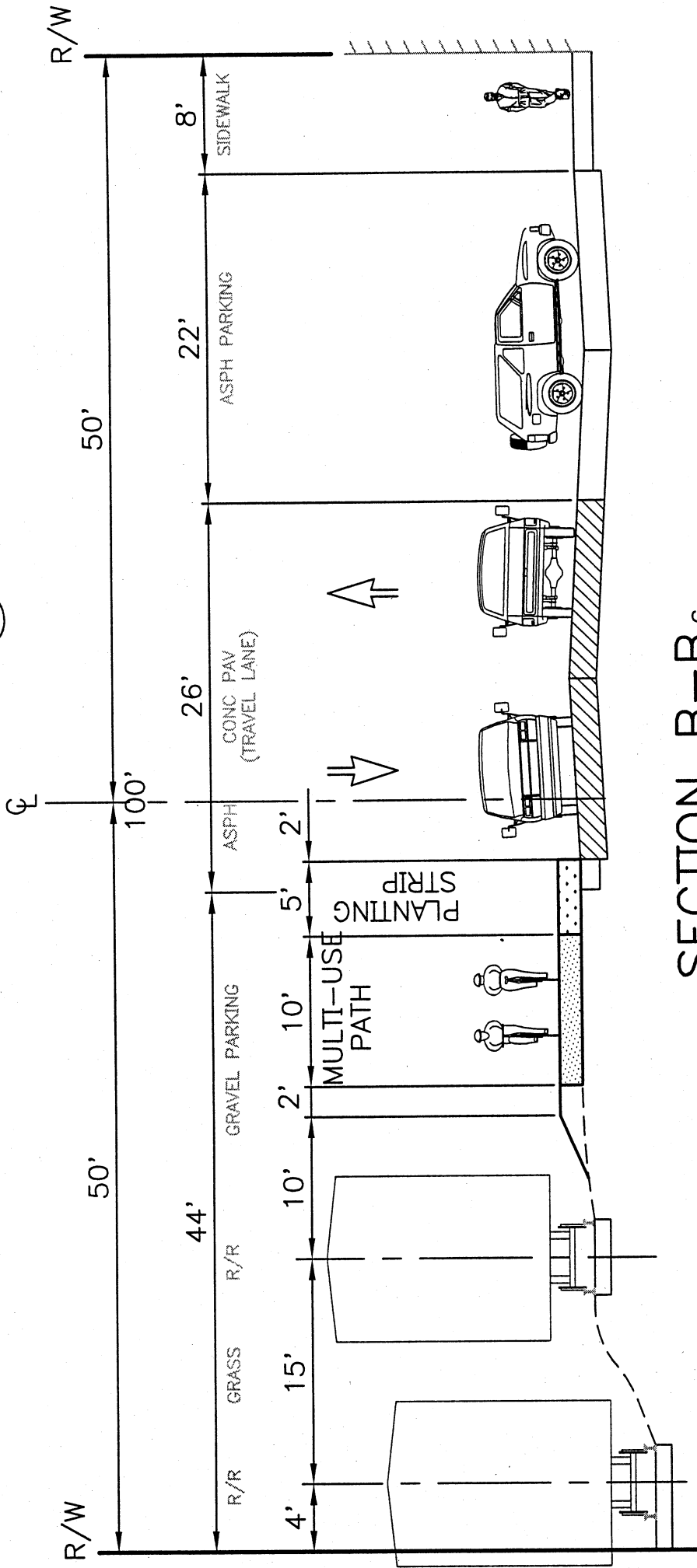
R/W



SECTION A-A<sub>6</sub>

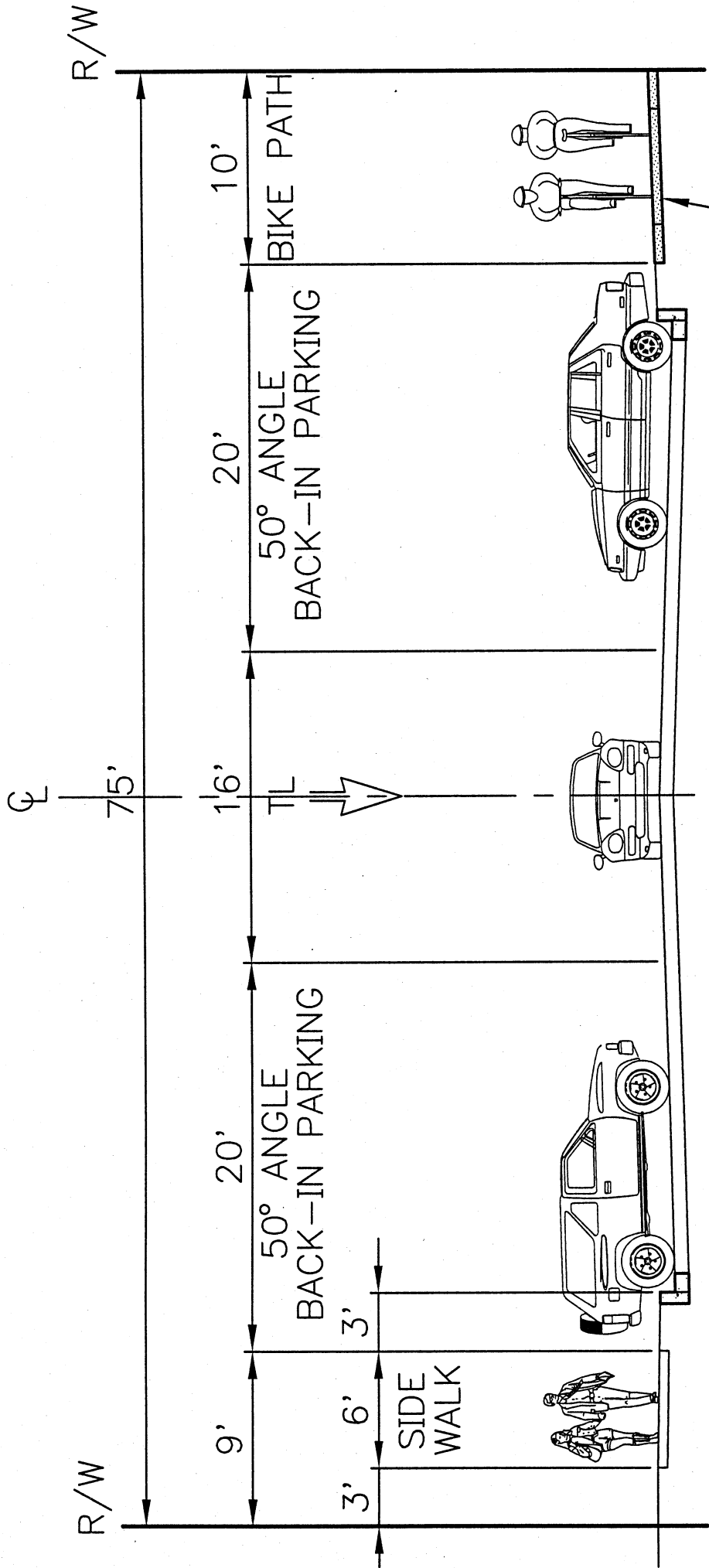
BALLARD AVE NW  
17TH AVE NW TO NW VERNON PL  
(SIGNED BIKE ROUTE)

④



SECTION B-B<sub>6</sub>  
SHILSHOLE AVE NW  
22ND AVE NW TO 24TH AVE NW  
SCALE: 1" = 10'

5

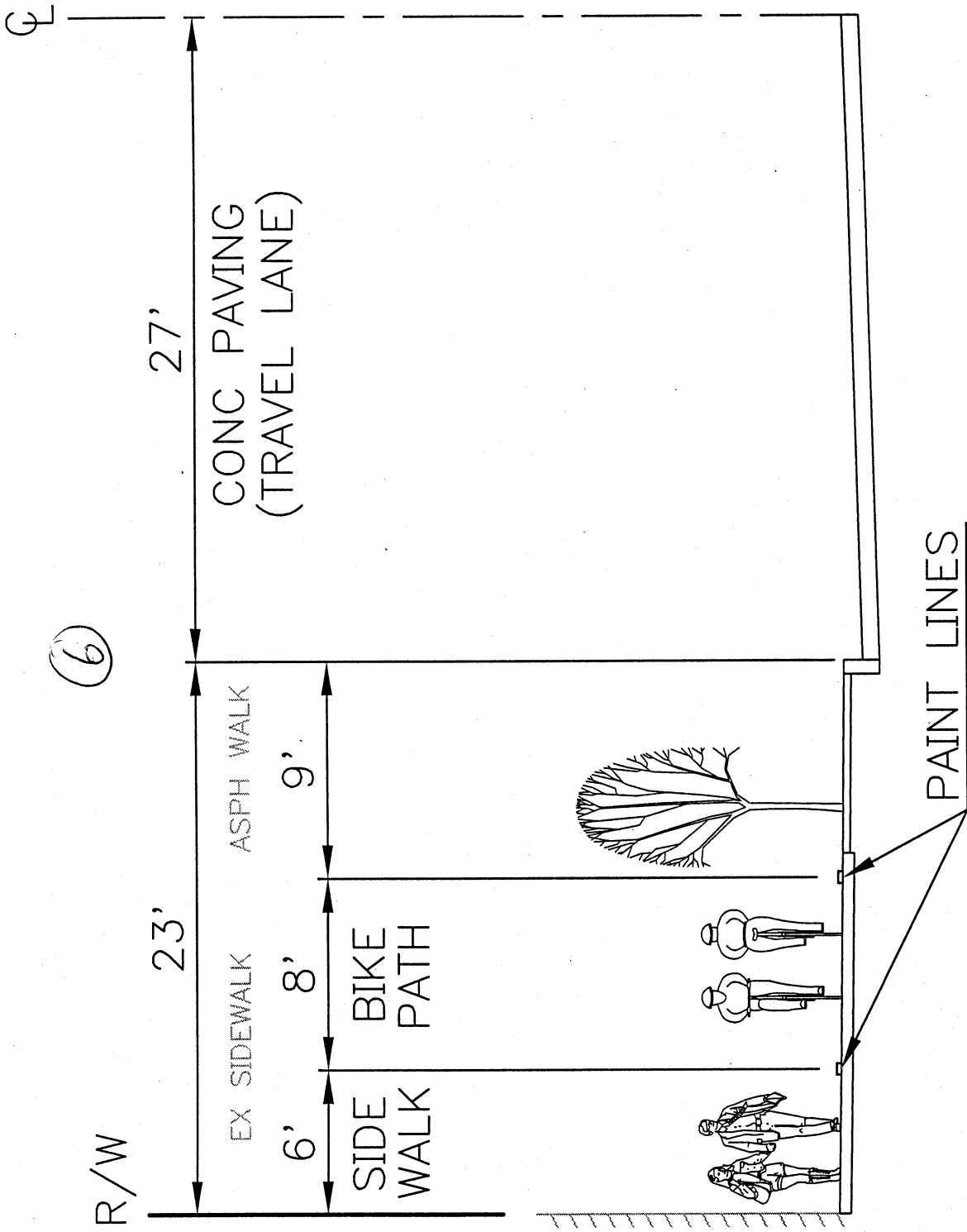


SECTION A-A7

24TH AVE NW  
NW MARKET ST TO RAILROAD R/W

SCALE: 1" = 10'

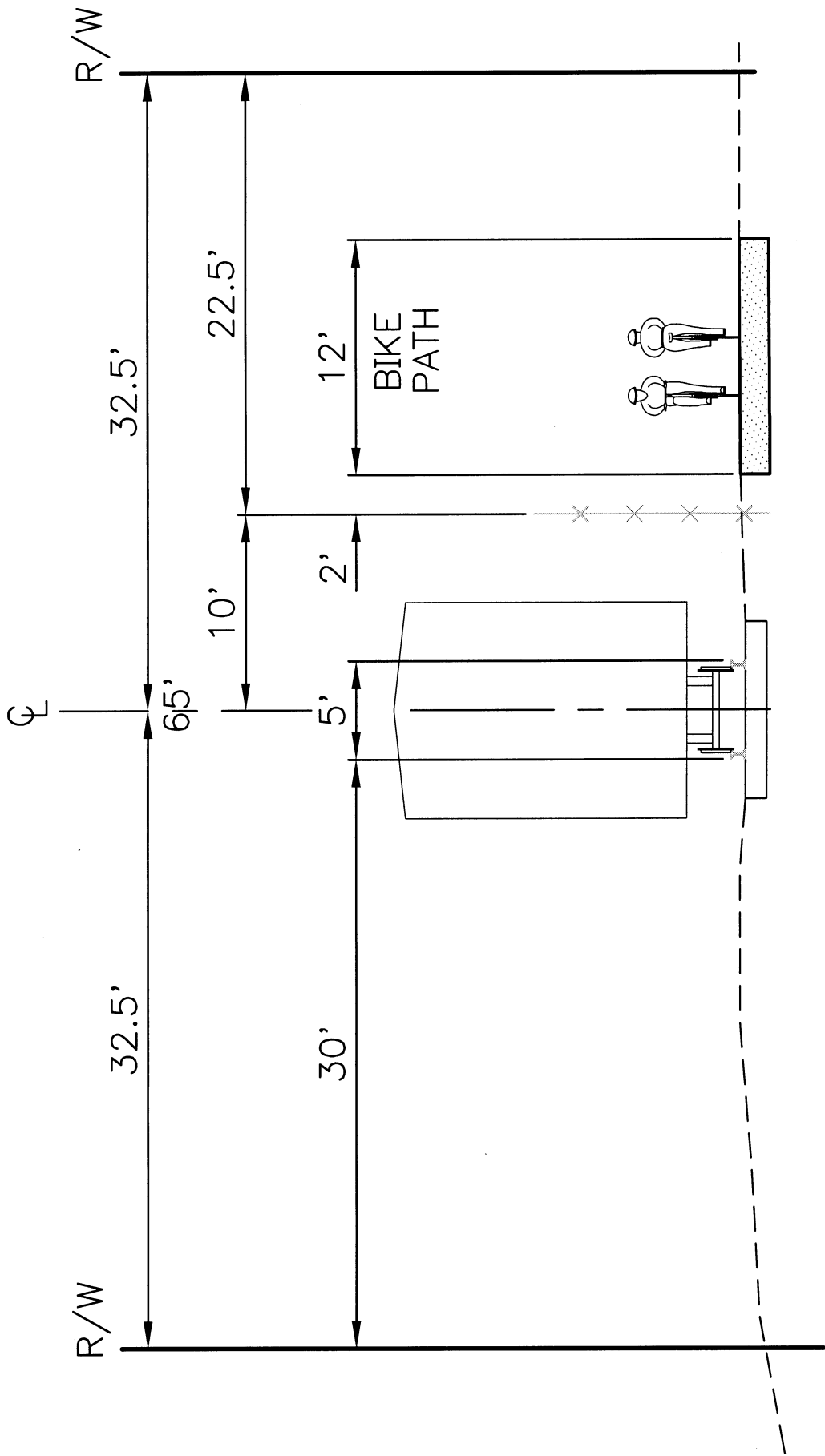
REM. EX.  
SIDEWALK



SECTION B-B7

NW MARKET ST  
 24TH AVE NW TO MID-BLOCK CROSSING





SECTION B-B<sub>6</sub>  
 RAILROAD CORRIDOR  
 28TH AVE NW TO BALLARD LOCKS  
 SCALE: 1" = 10'