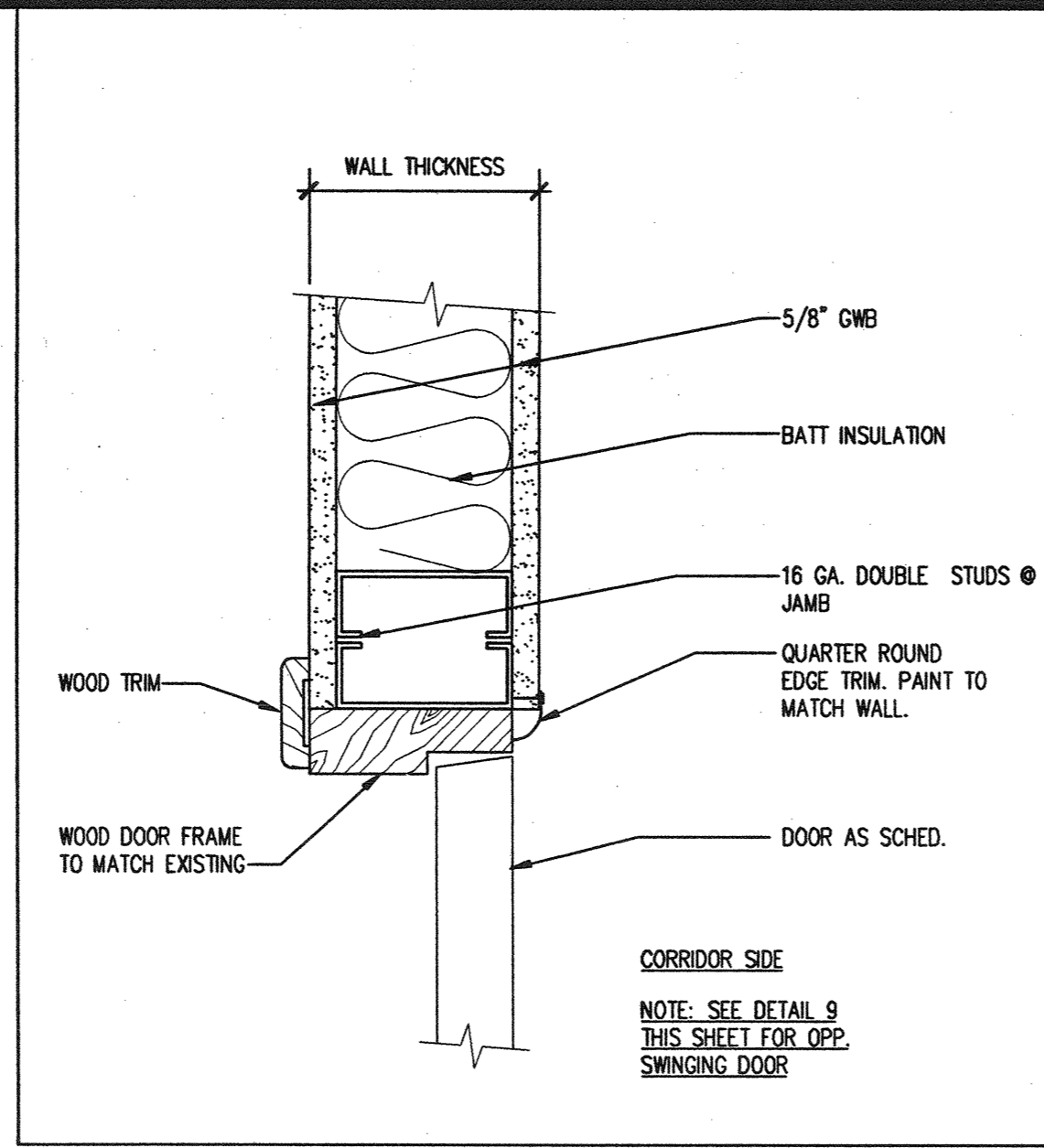
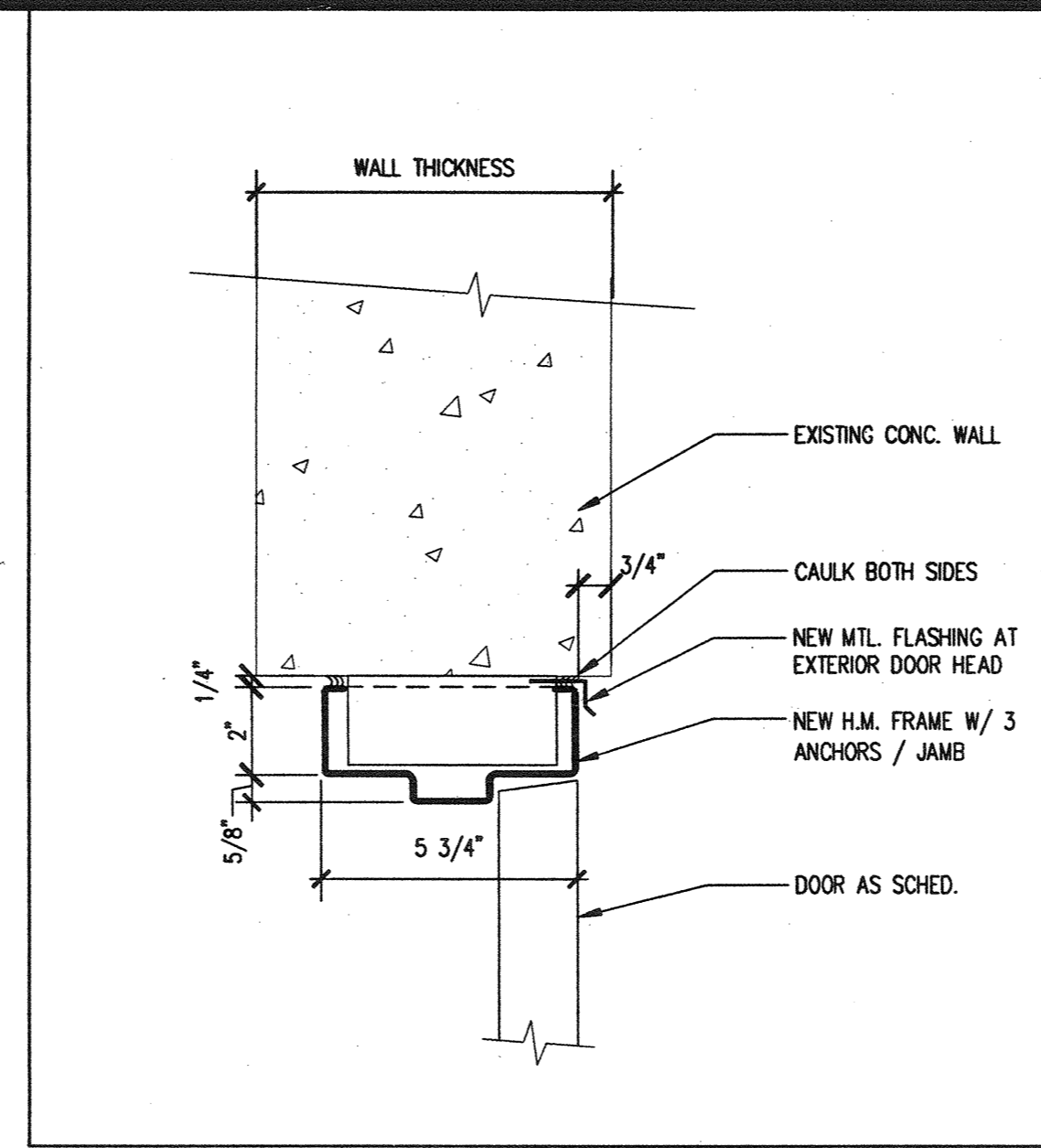


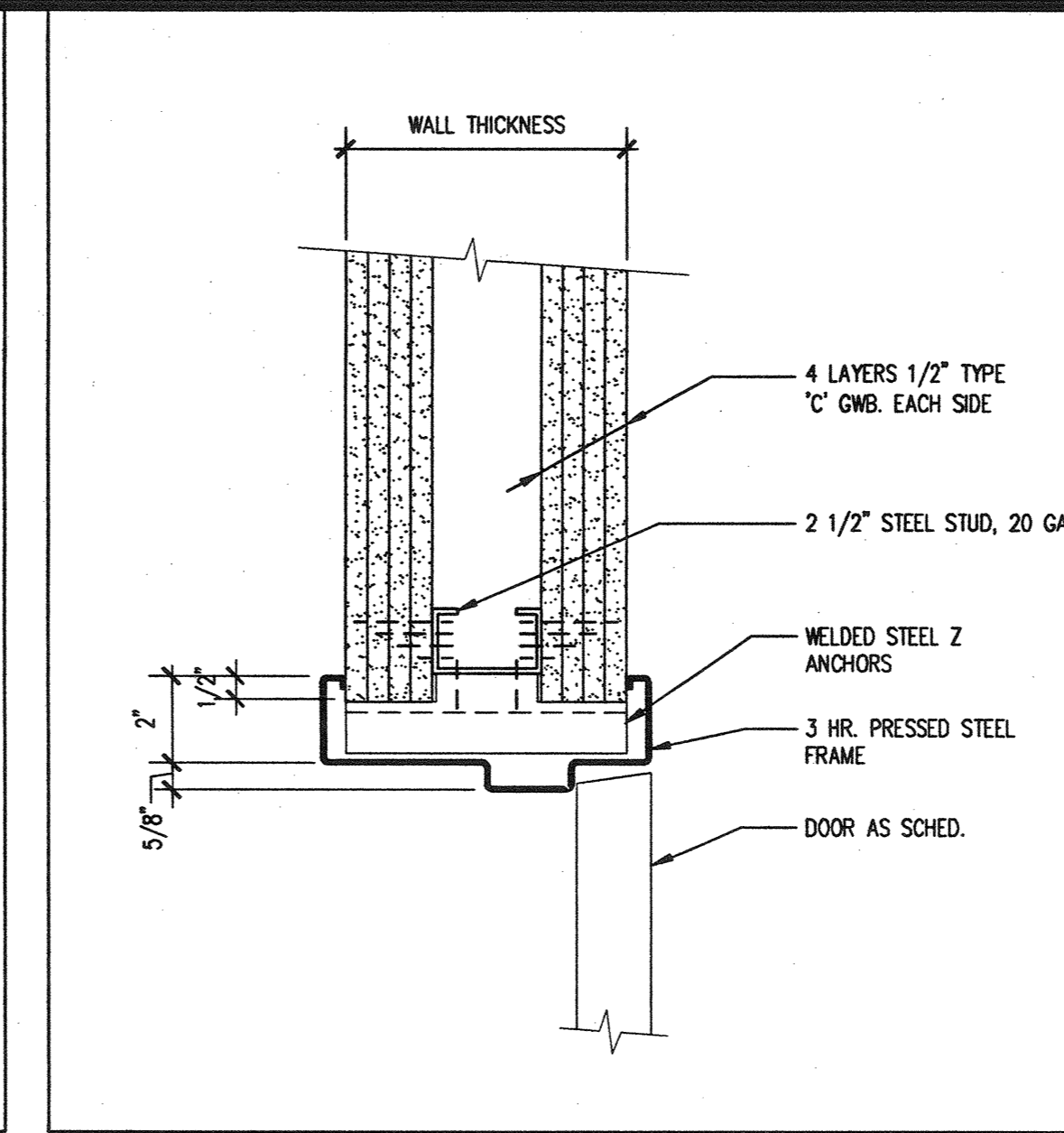
1 DOOR HEAD / JAMB SIM
SCALE: 3" = 1'-0" DE-DR-01



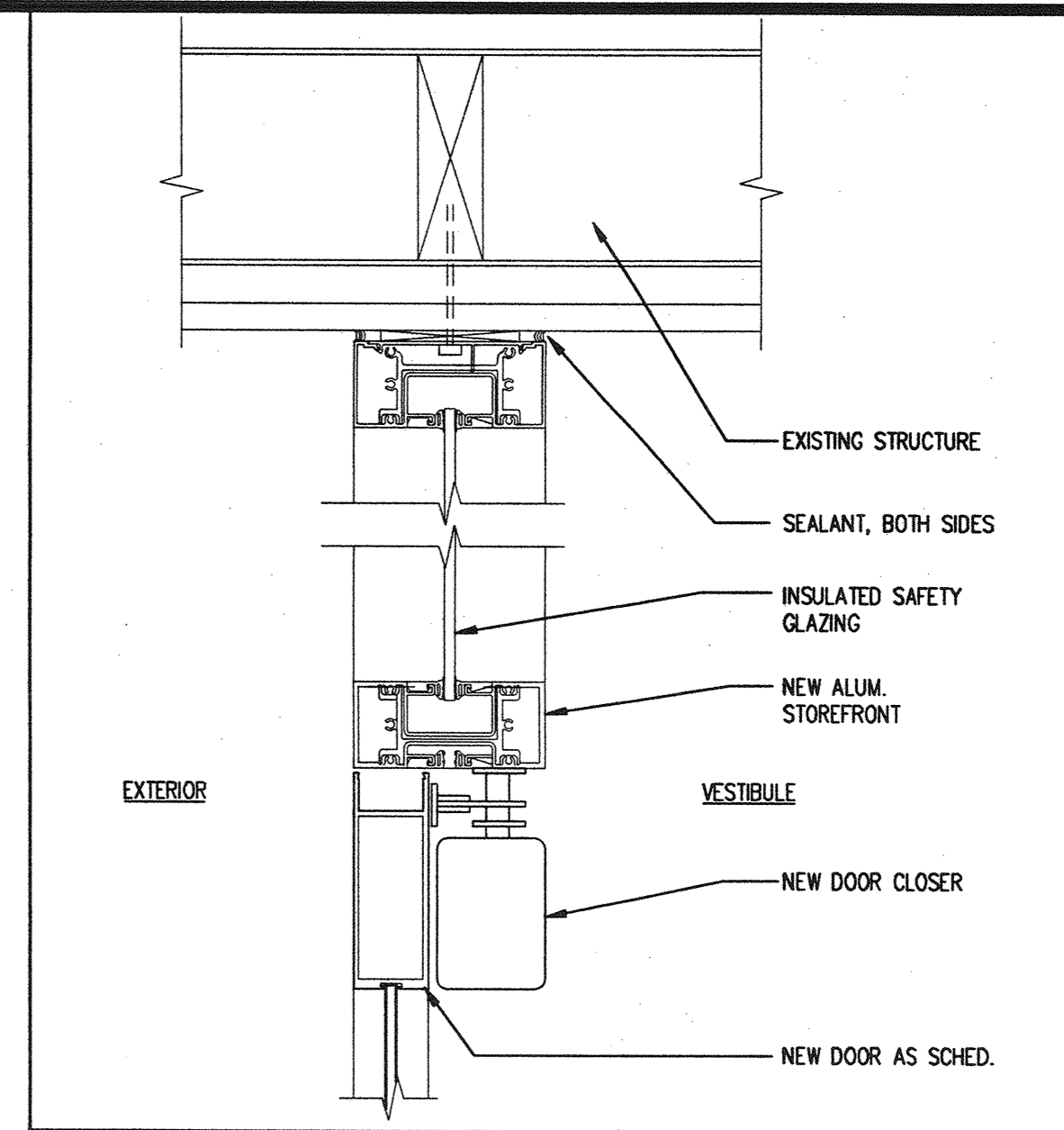
2 DOOR HEAD / JAMB SIM
SCALE: 3" = 1'-0" DE-DR-10



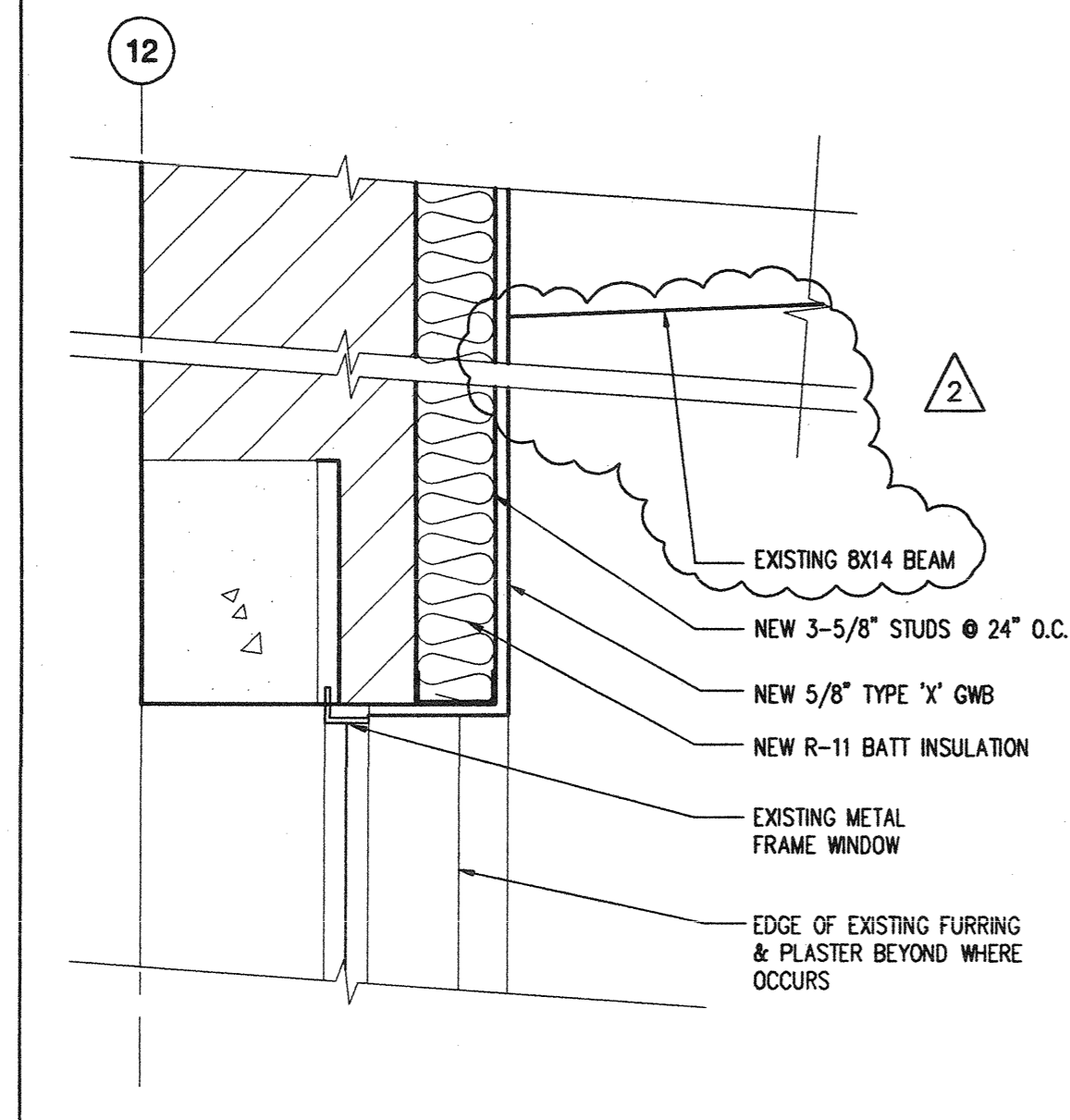
3 DOOR HEAD / JAMB SIM.
SCALE: 3" = 1'-0" DE-DR-02



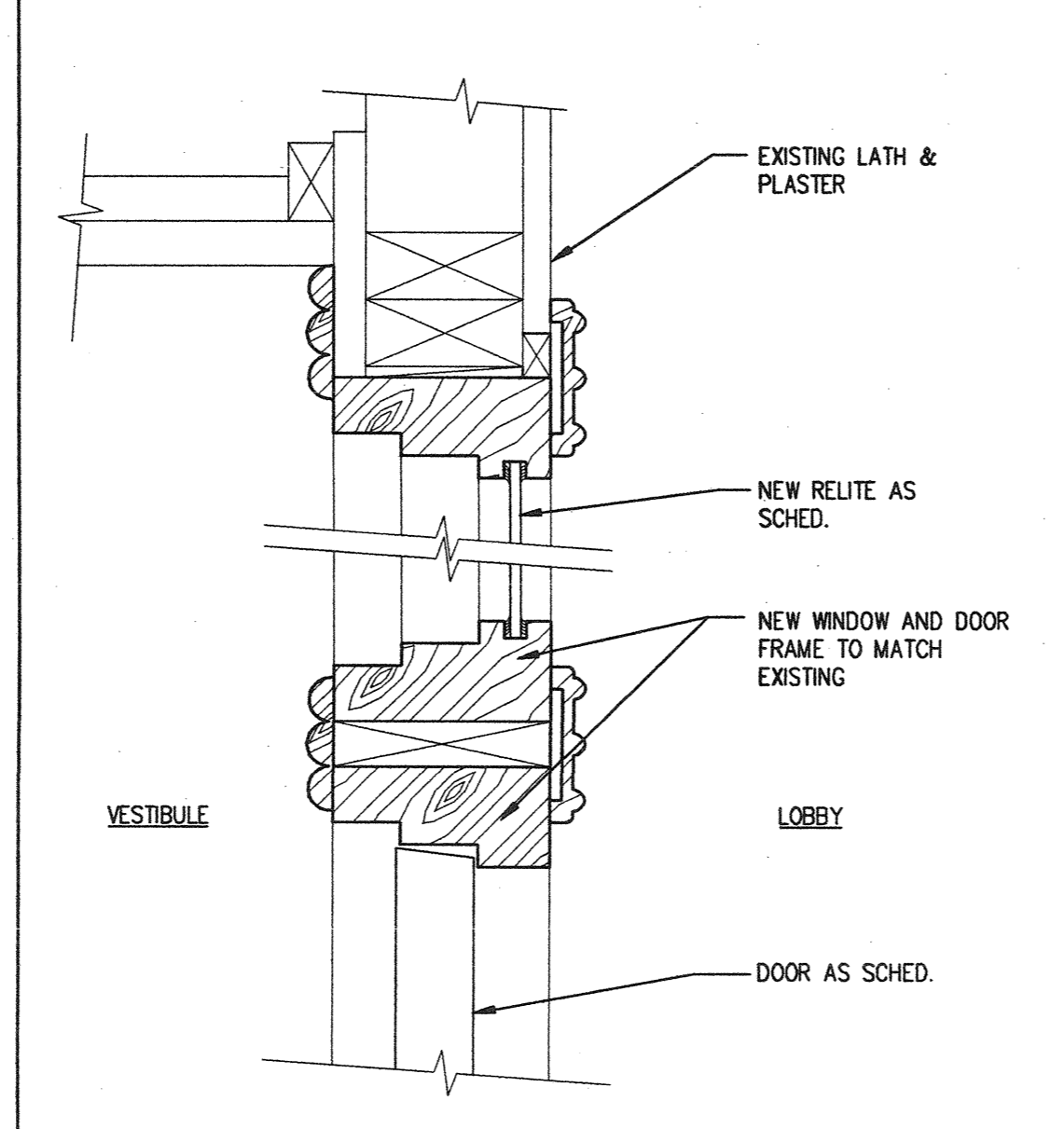
4 3HR. DOOR @ 4HR. GWB WALL
SCALE: 3" = 1'-0" DE-DR-11



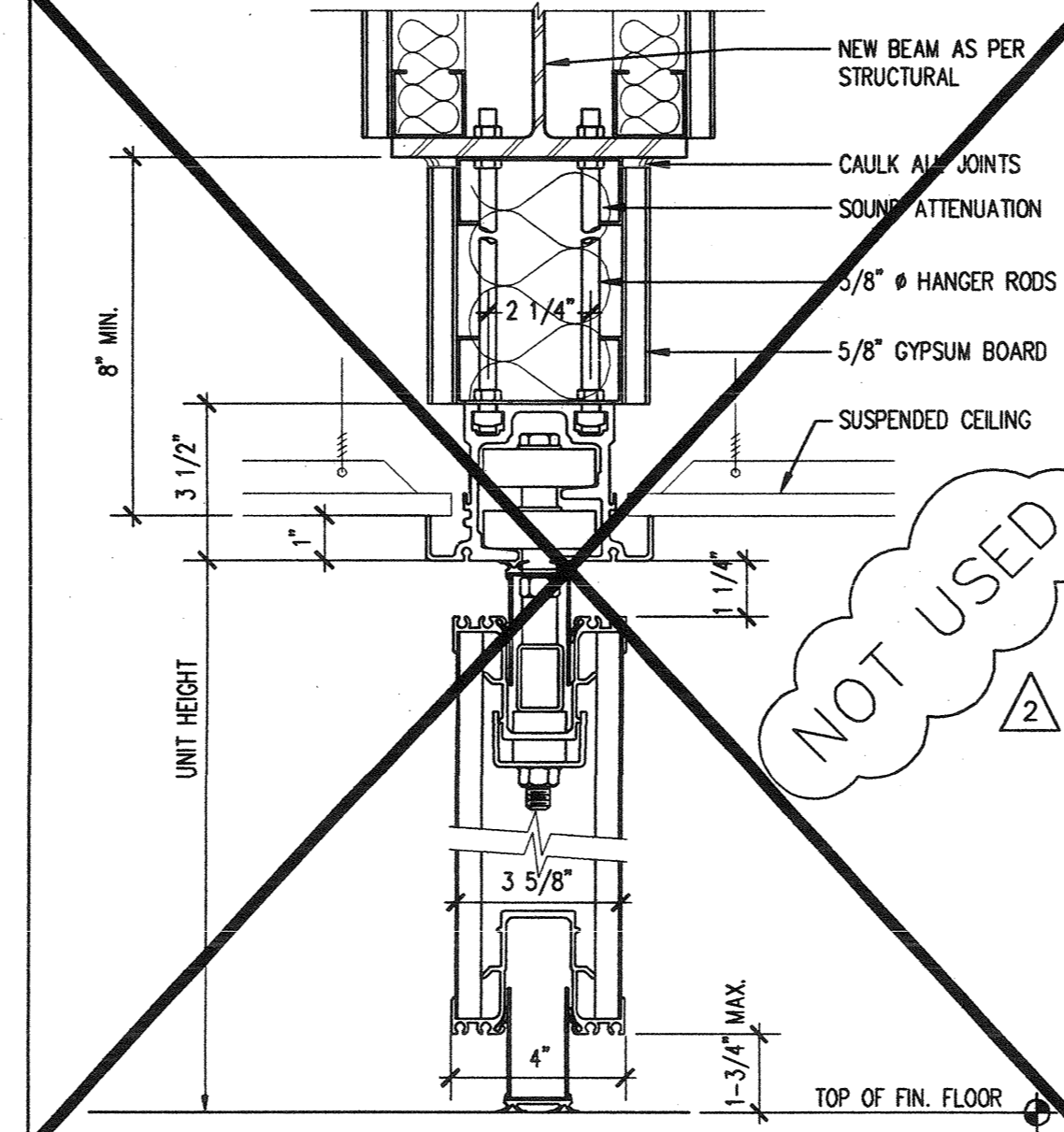
5 STOREFRONT DOOR HEAD
SCALE: 3" = 1'-0" DE-DR-04



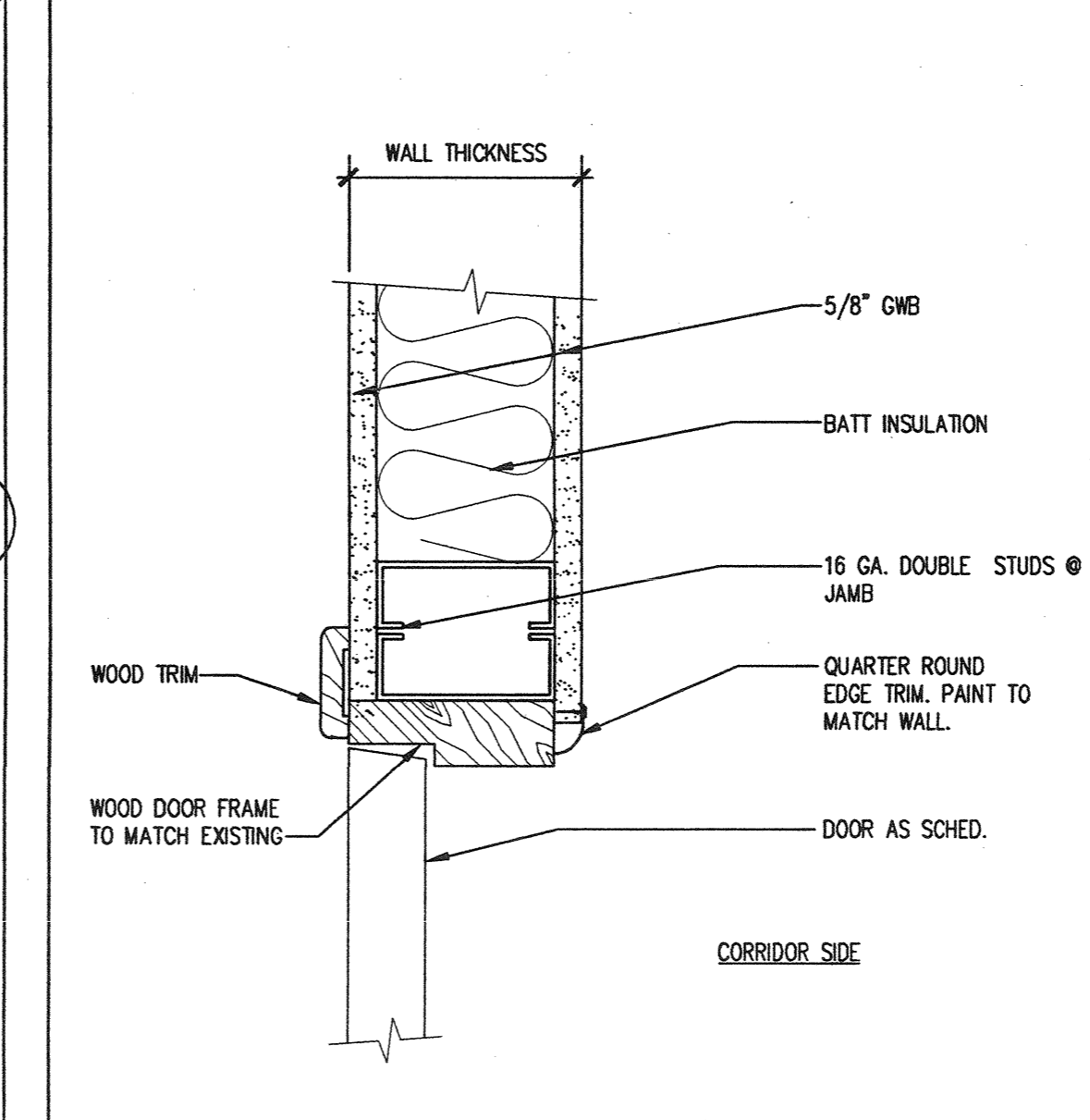
6 WINDOW HEAD / JAMB SIM.
SCALE: 1 1/2" = 1'-0" DE-WI-01



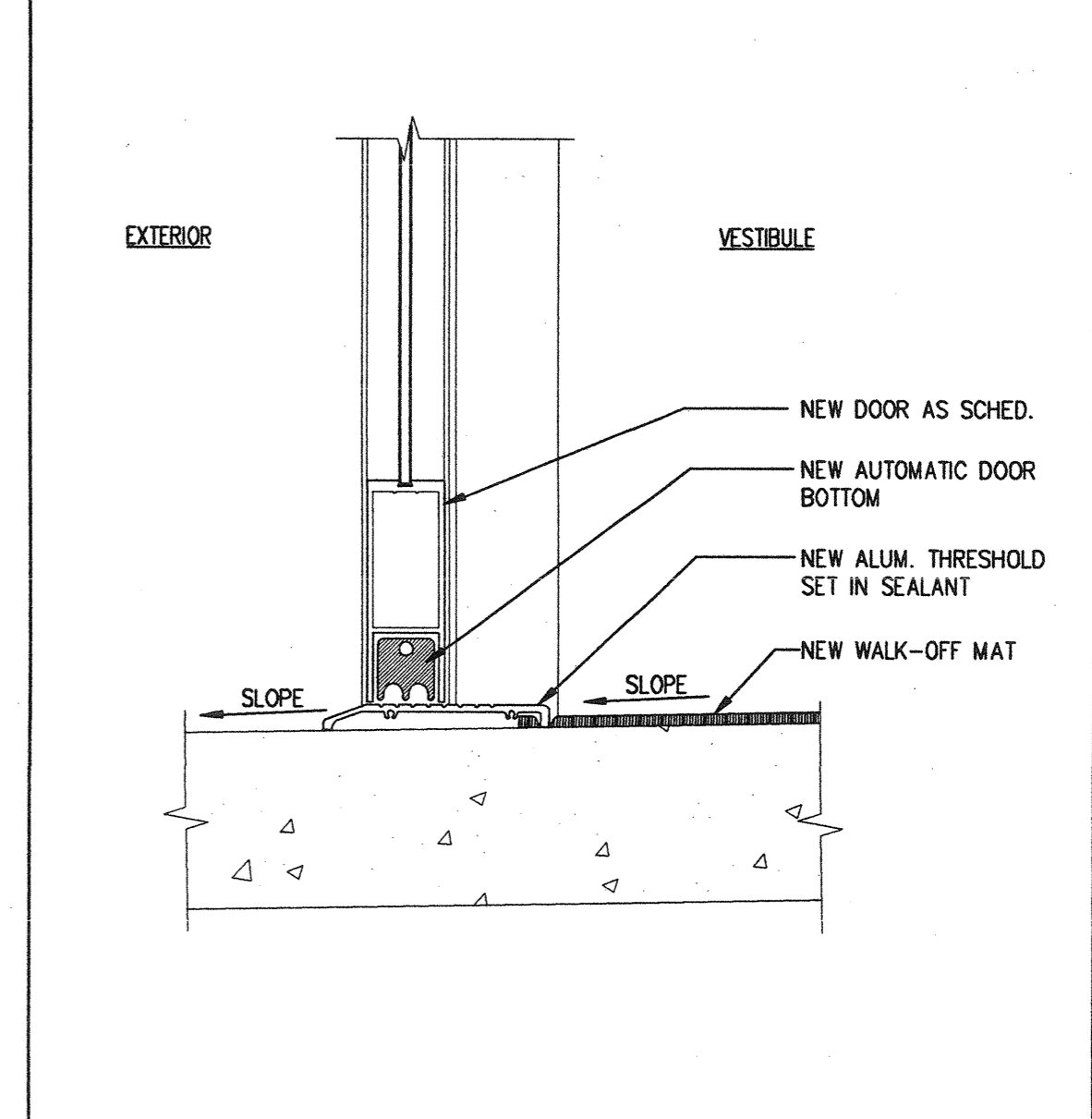
7 DOOR HEAD / JAMB SIM.
SCALE: 3" = 1'-0" DE-DR-07



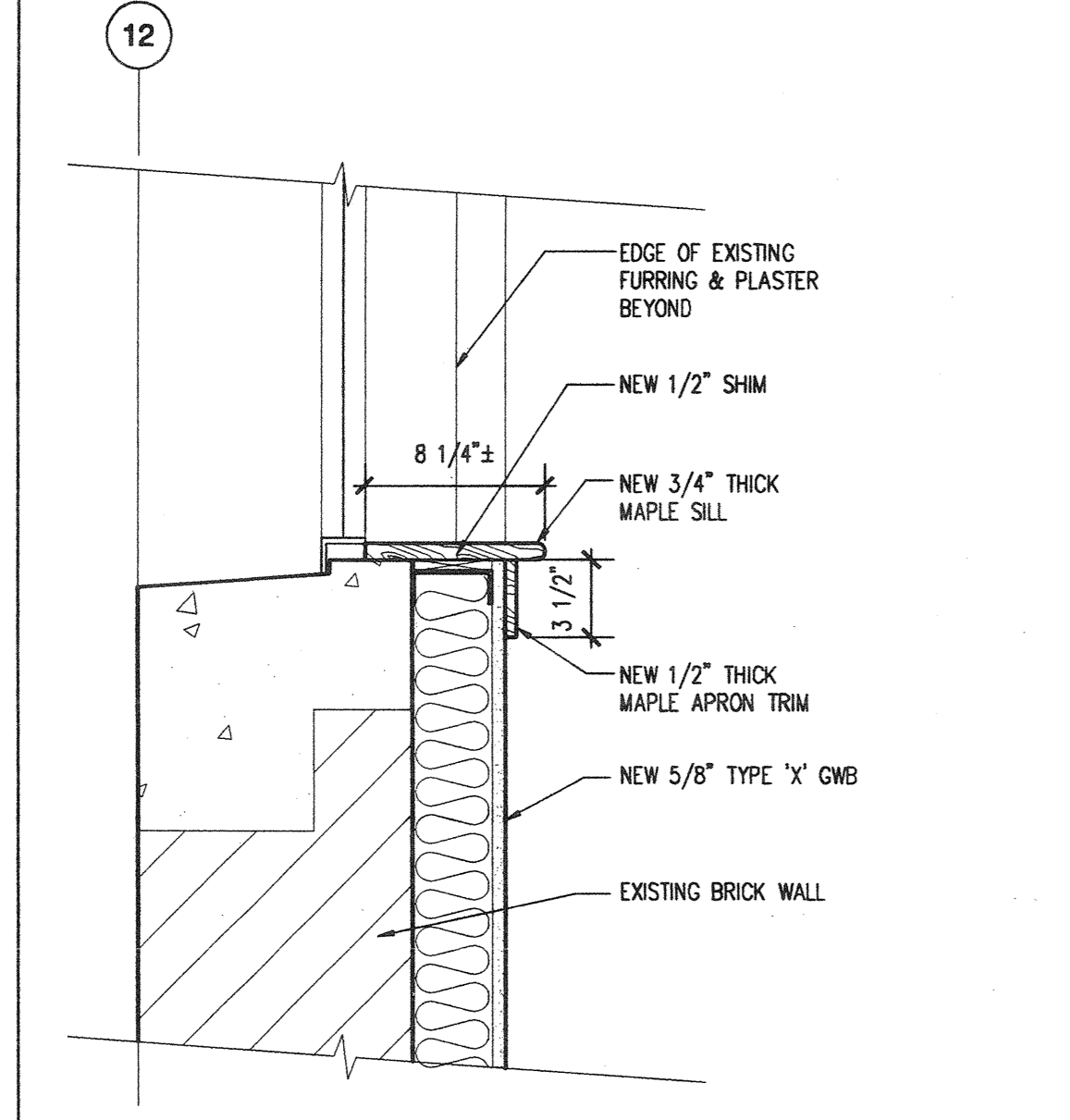
8 FOLDING PARTITION HEAD/ SILL
SCALE: 3" = 1'-0" DE-DR-12



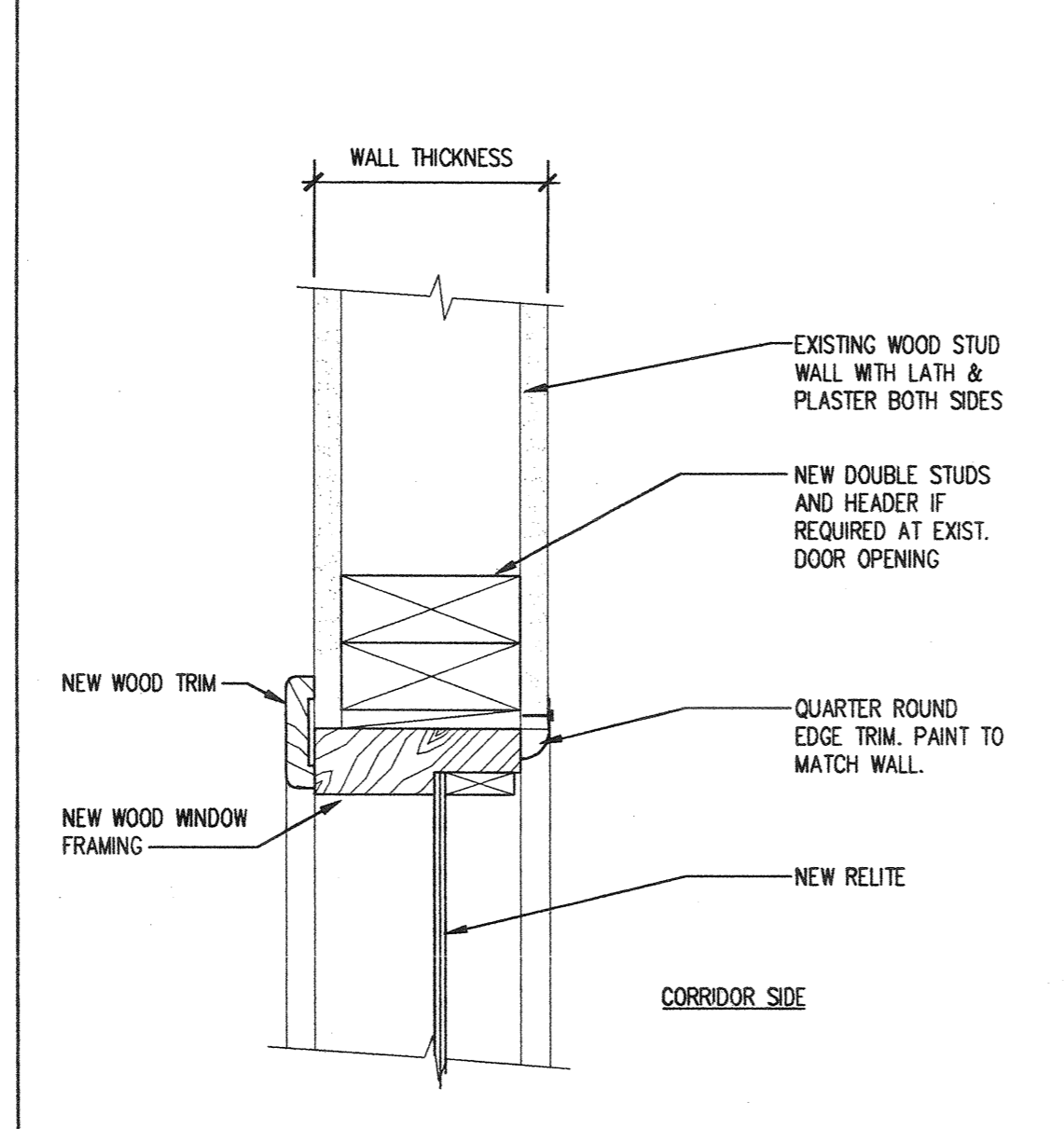
9 DOOR HEAD / JAMB SIM
SCALE: 3" = 1'-0" DE-DR-15



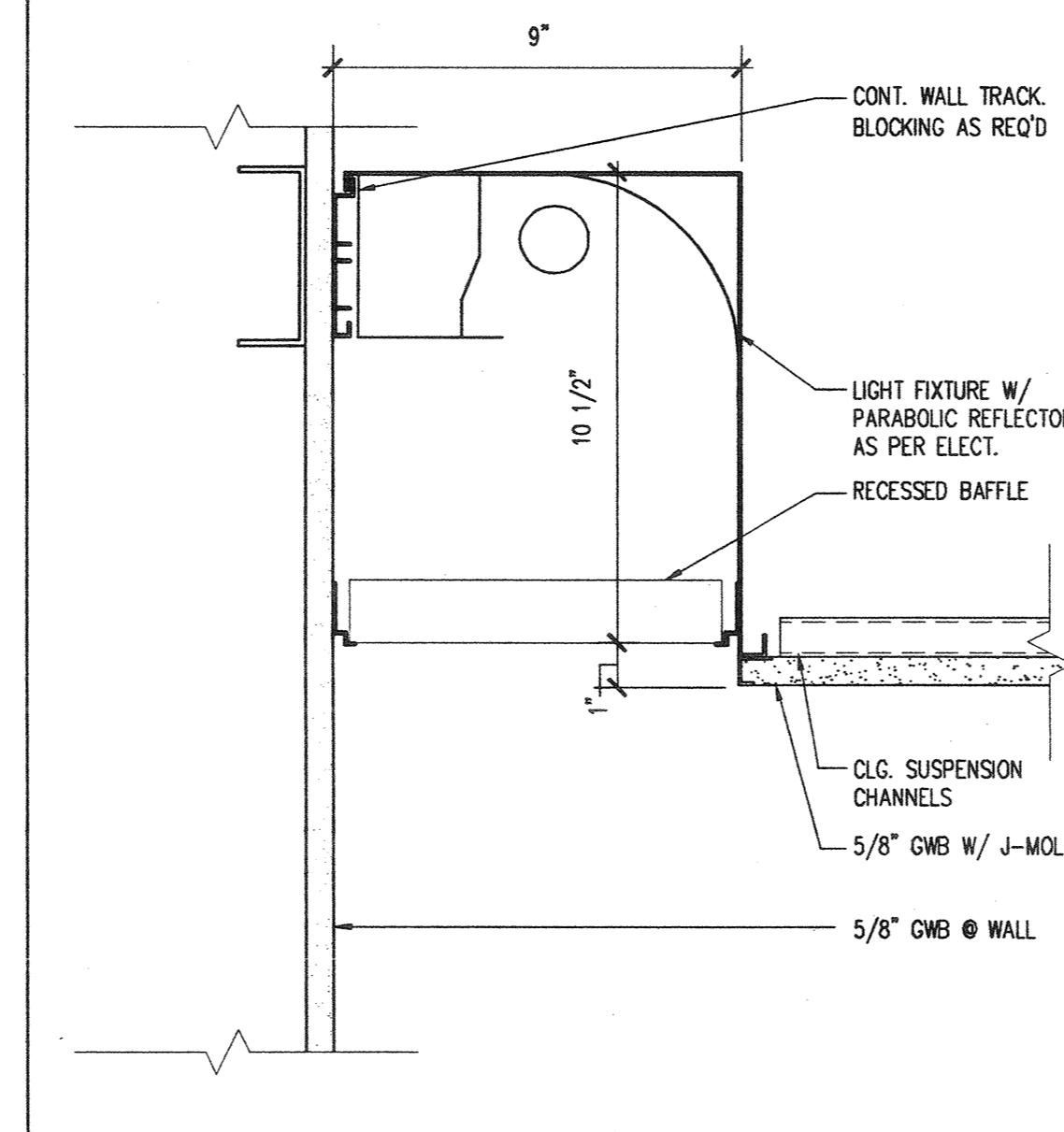
10 STOREFRONT THRESHOLD
SCALE: 3" = 1'-0" DE-DR-05



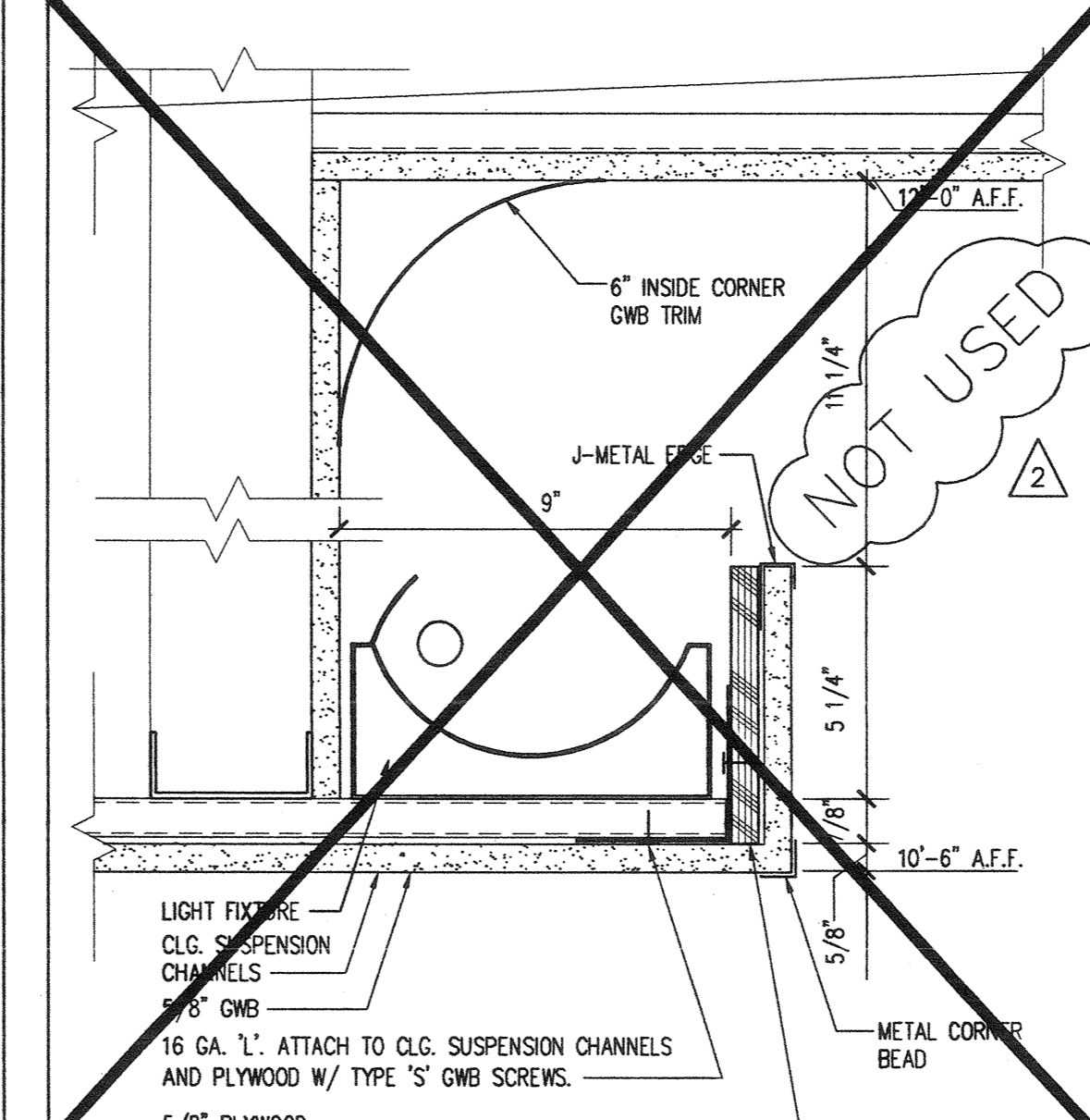
11 WINDOW SILL
SCALE: 1 1/2" = 1'-0" DE-WI-02



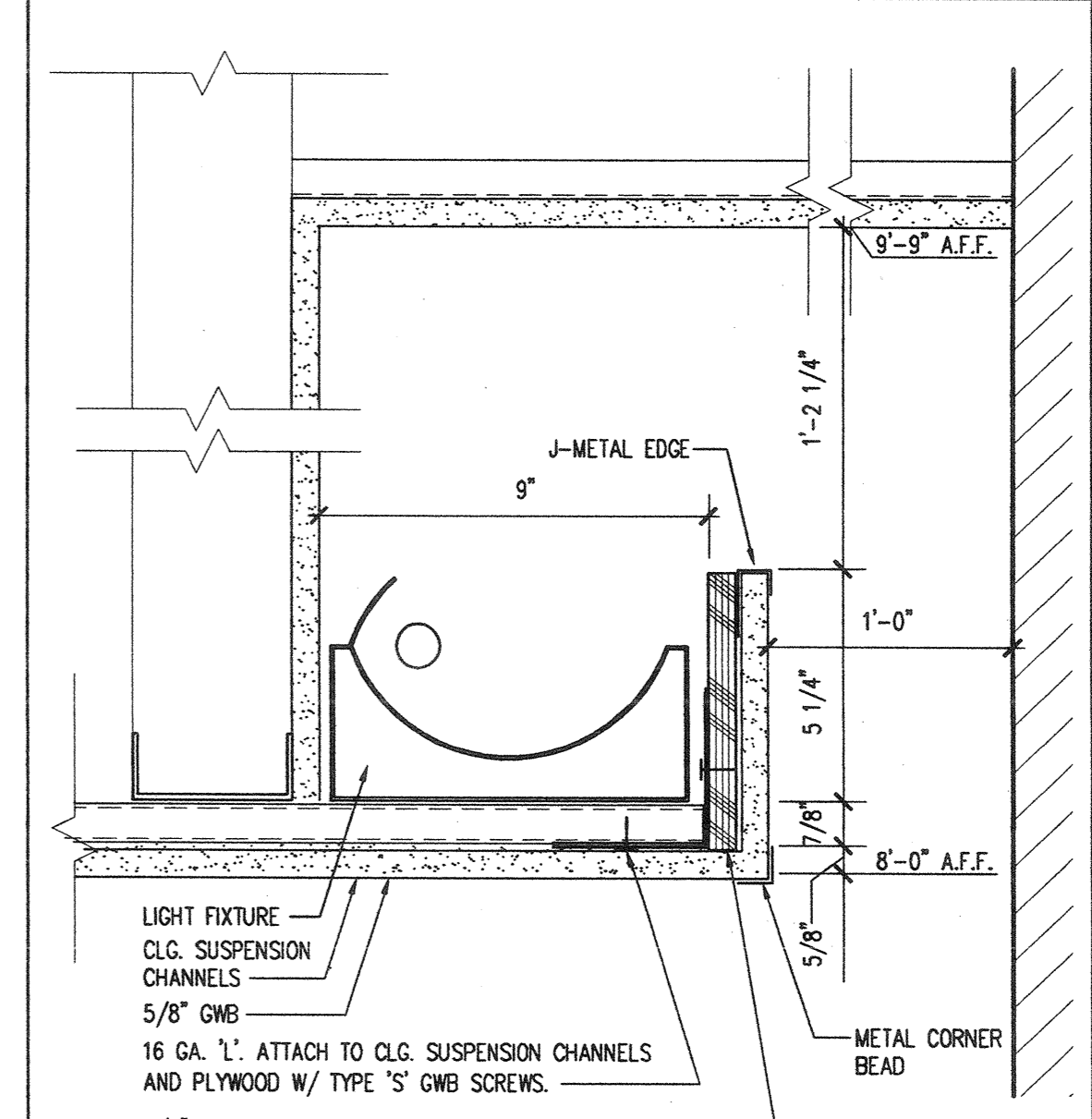
12 RELITE HEAD / JAMB SIM.
SCALE: 3" = 1'-0" DE-WI-06



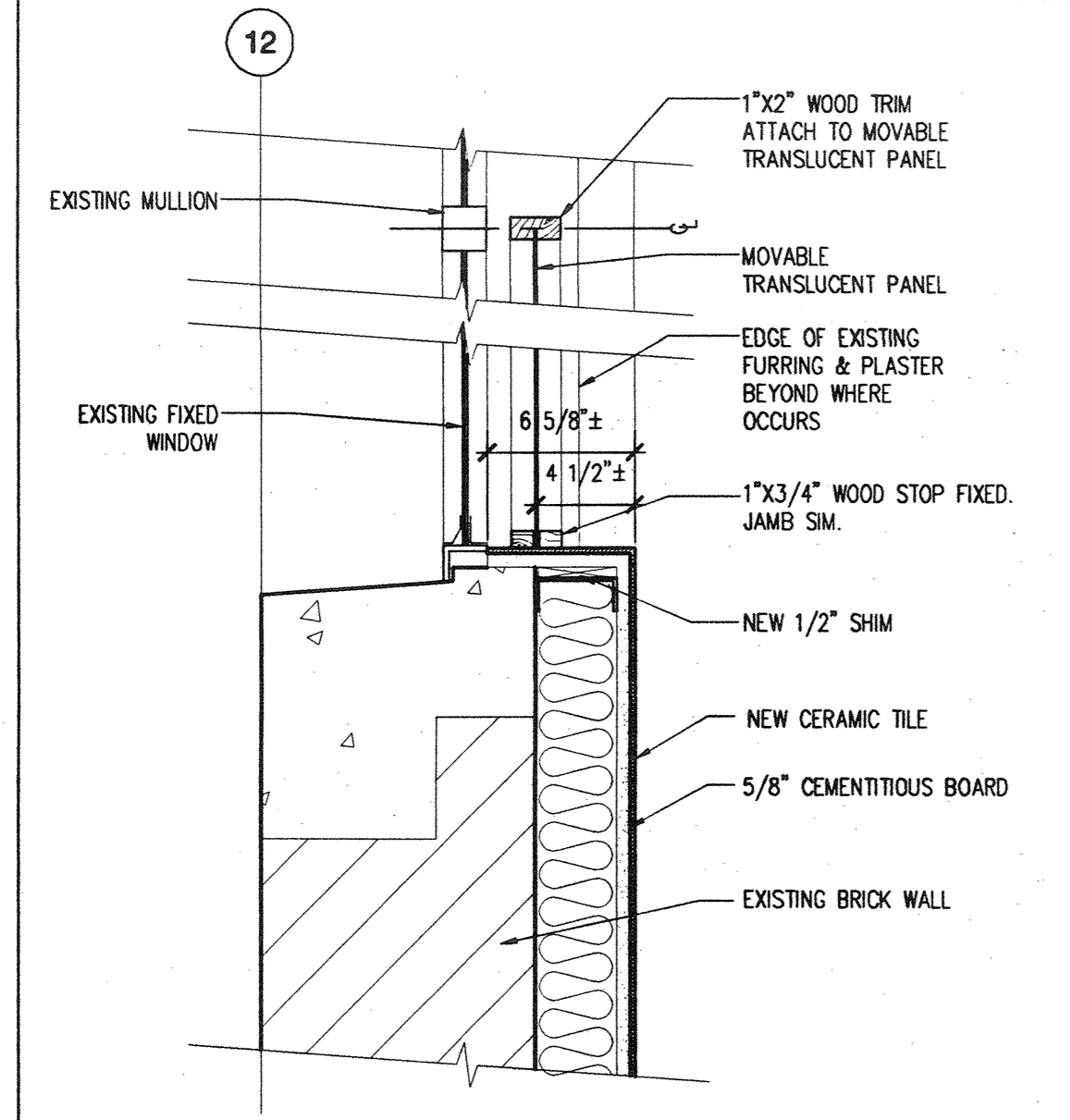
13 TROUGH LIGHT @ RESTROOM
SCALE: 3" = 1'-0" DE-CL-01



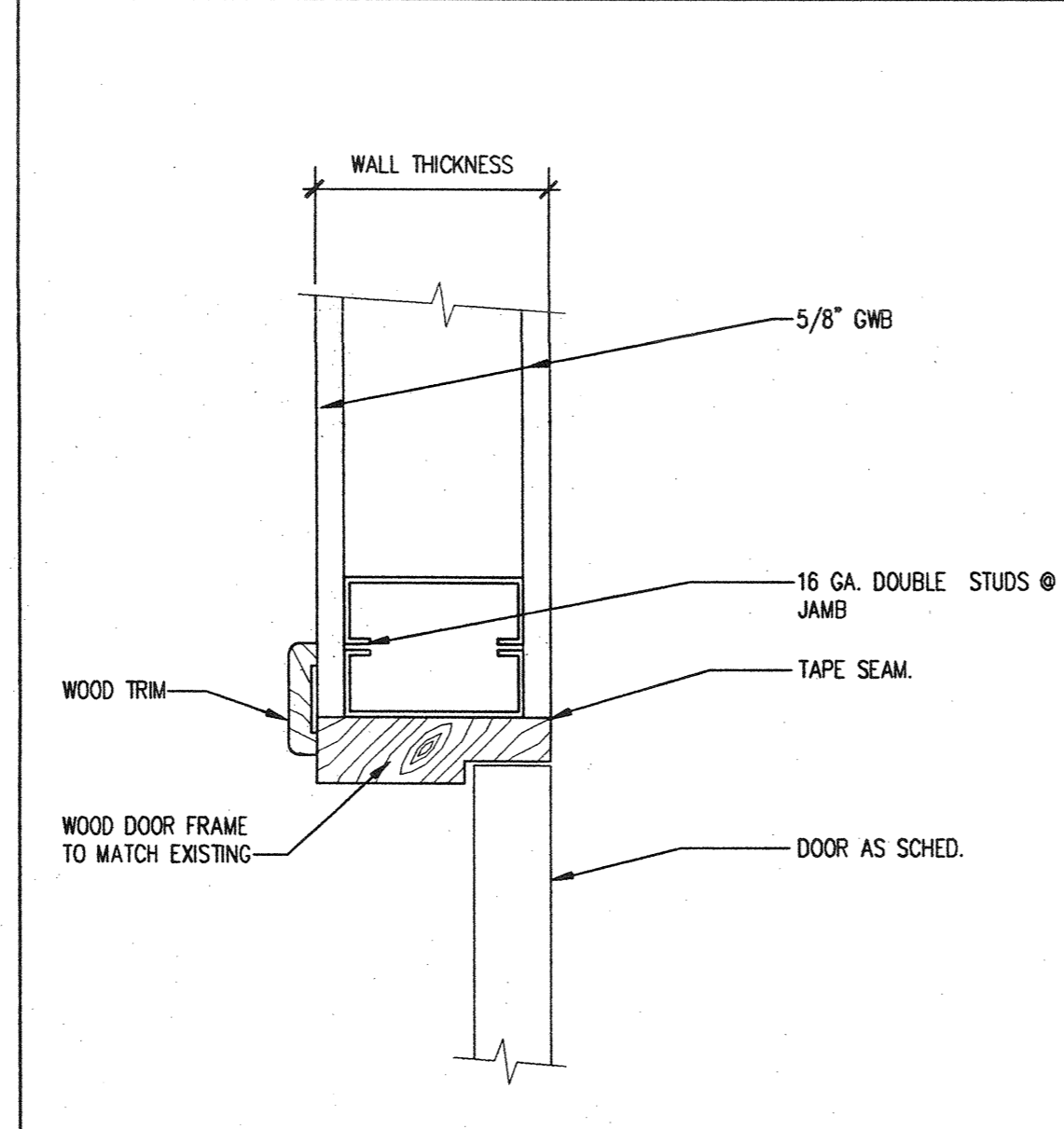
14 COVE LIGHT @ MTG. ROOM
SCALE: 3" = 1'-0" DE-CL-02



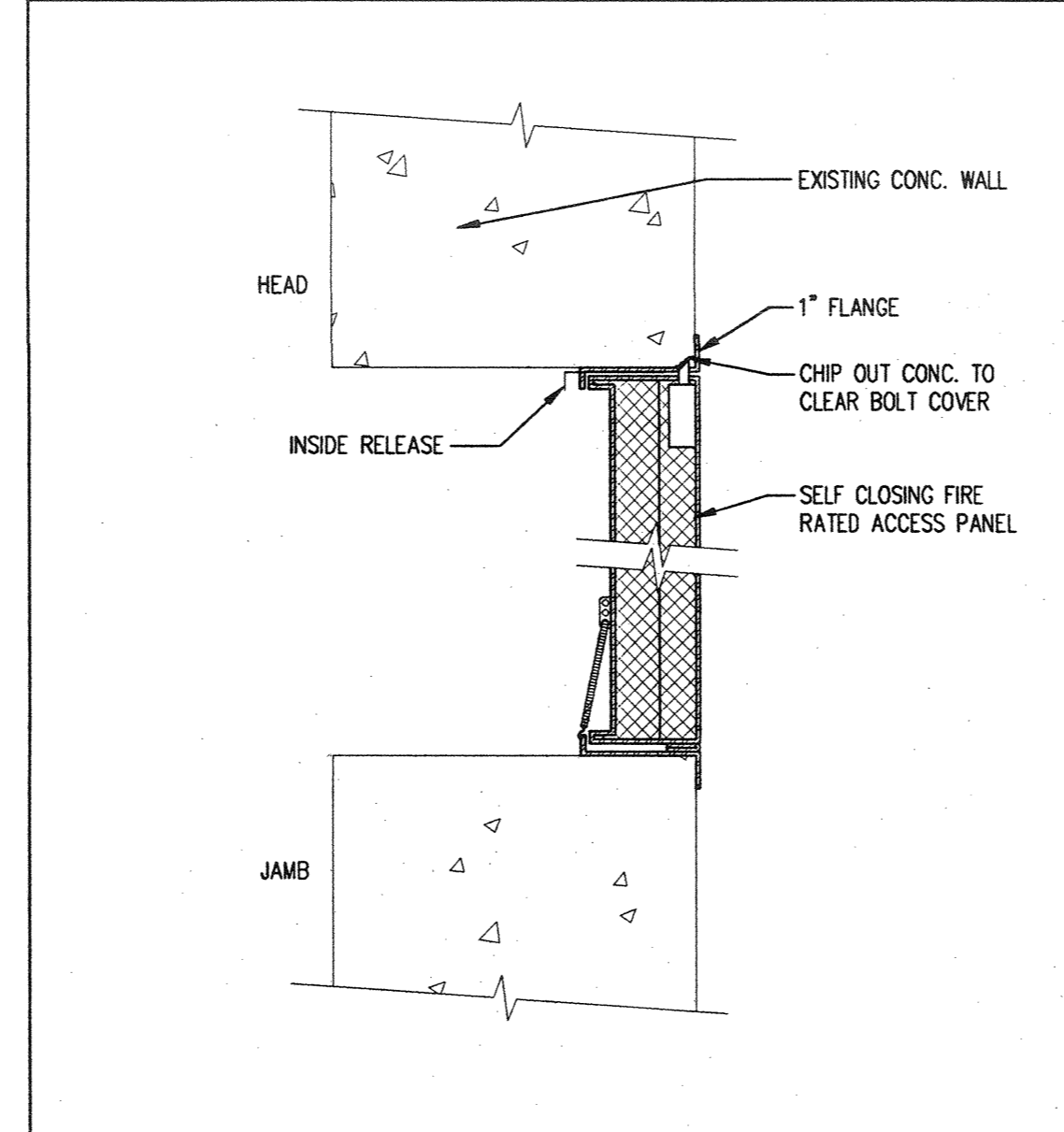
15 COVE LIGHT @ HALLWAY
SCALE: 3" = 1'-0" DE-CL-03



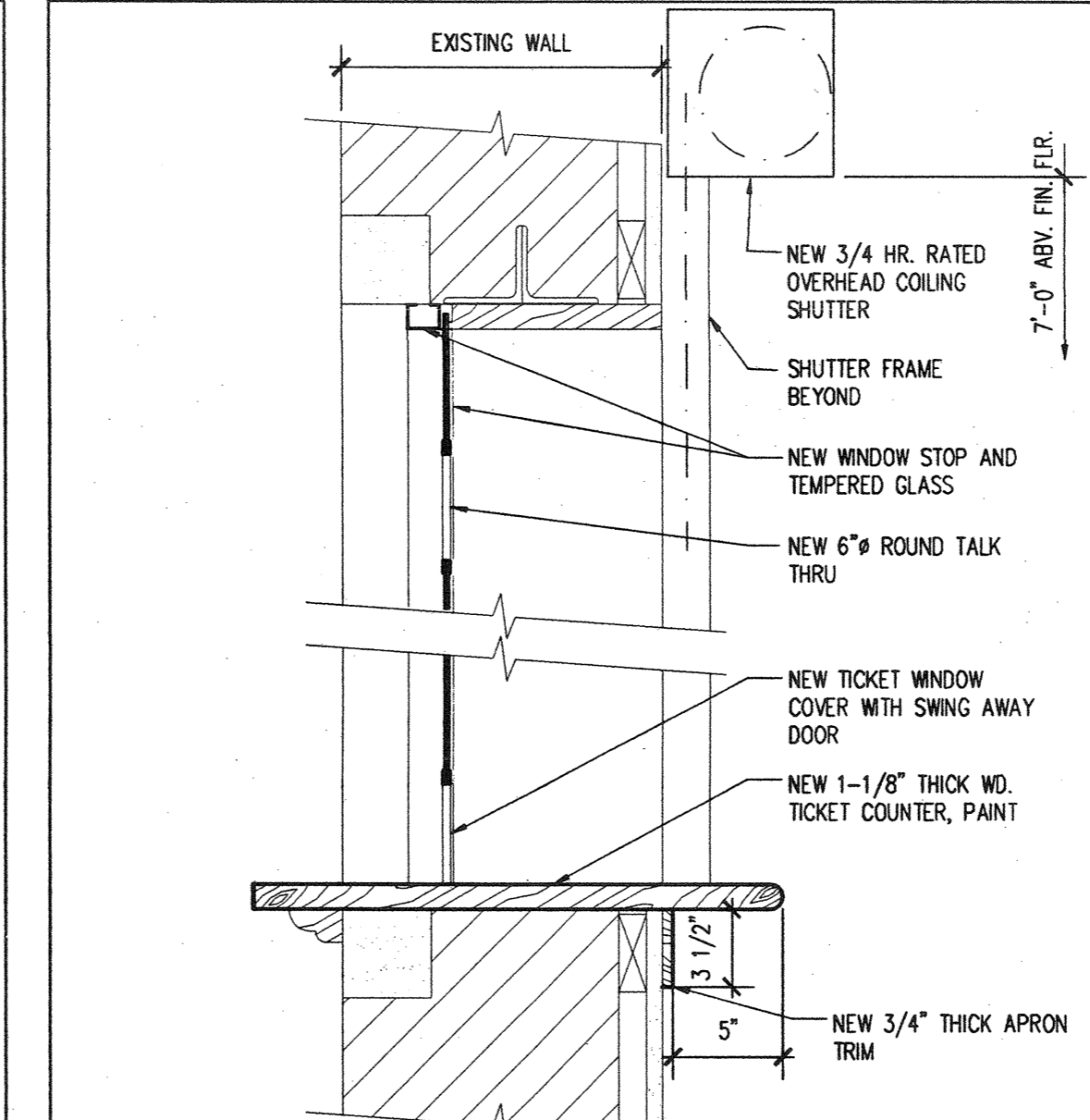
16 WINDOW SILL @ RESTROOM
SCALE: 1 1/2" = 1'-0" DE-WI-03



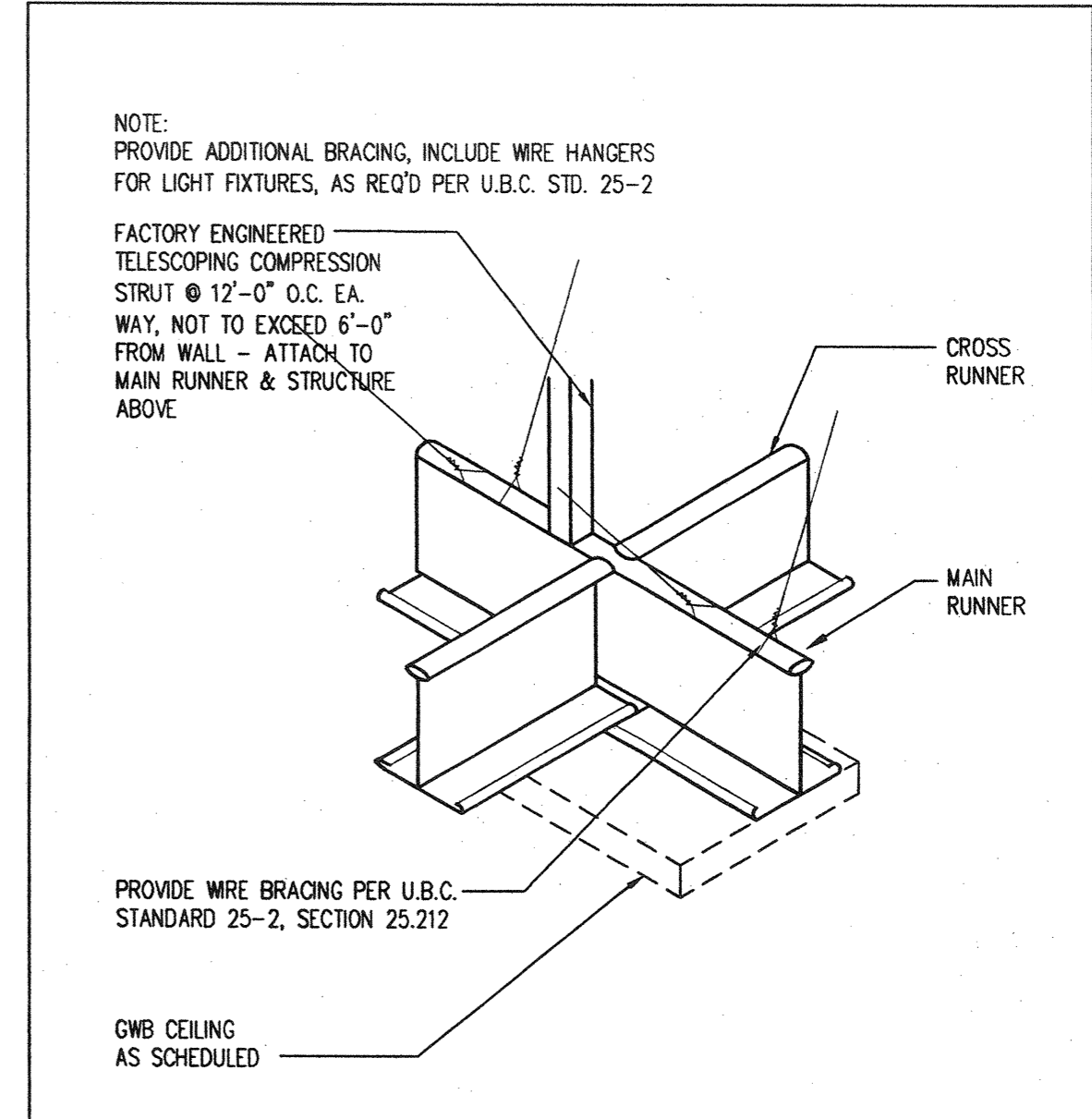
17 DOOR HEAD / JAMB SIM
SCALE: 3" = 1'-0" DE-DR-16



18 ACCESS PANEL HEAD / JAMB
SCALE: 3" = 1'-0" DE-DR-13



19 TICKET WINDOW DETAIL
SCALE: 1 1/2" = 1'-0" DE-WI-08



20 SEISMIC BRACING @ CLG.
SCALE: 3" = 1'-0" DE-CL-04

ARAI/JACKSON
Architects & Planners
1601 East John - Seattle, WA 98112
Tel: 206-323-8800 Fax: 206-323-8318

CONSTRUCTION DOCUMENTS
BID SET

REGISTERED ARCHITECT
ARAI/JACKSON

3		
2	OWNER REVISIONS	4/24/03
1	PERMIT CORRECTIONS	7/15/02
NO.	REVISION - AS BUILT	DATE

REVIEWED: _____ DATE _____
PARK ENGINEER

All work done in accordance with the City of Seattle Standard Plans and Specifications in effect on the date shown above, and supplemented by Special Provisions.

SAND POINT
MAGNUSON PARK
COMMUNITY RECREATION CENTER
BUILDING 47

INTERIOR DETAILS

DESIGNED	KS, MB	DATE	APR. 24, 2003
DRAWN	KS, MB, MO	DESIGN REVIEW	
CHECKED	GO, JA		
ORDINANCE NO.	119812 & 119887	SHEET	31 OF 76
CONTRACT NO.	1616	SCALE	AS NOTED

A703