

3/4" AND 1" METERED SERVICES
PAVED STREET WITH CONCRETE WALK
NTS

MATERIAL LIST				
3/4" SERVICE				
ITEM	QTY	UNITS	DESCRIPTION	NUMBER
1			NOT USED	
2			NOT USED	
3	1	EA	3/4" AWWA X 3/4" COMP BALL TYPE BRASS CORPORATION STOP	MC # 4701 B-22-3/4
4	*	LF	3/4" COPPER SERVICE TUBE, TYPE K W/80 MIL WAX TAPE WRAP	TRENTON # 1 OR EQ.
5	1	EA	3/4" METER SETTER W/SINGLE TOP SHUT-OFF COCK	MC # 22-218W X 22-33
6	1	EA	#2 METER BOX AND LID	OLYMPIC F. SM29
7	1	EA	3/4" METER, RELOCATE EXISTING OR SPU WILL PROVIDE	
8	1	EA	13" X 18" INSULATION BLANKET	
9	1	EA	3/4" ADAPTER COUPLING, COMP X MIPT	
10	1	EA	3/4" DIELECTRIC UNION, FIPT X FIPT	
11	*	LF	IF WATERMAIN IS COATED, WRAP W/80 MIL WAX TAPE WRAP	TRENTON # 1 OR EQ.

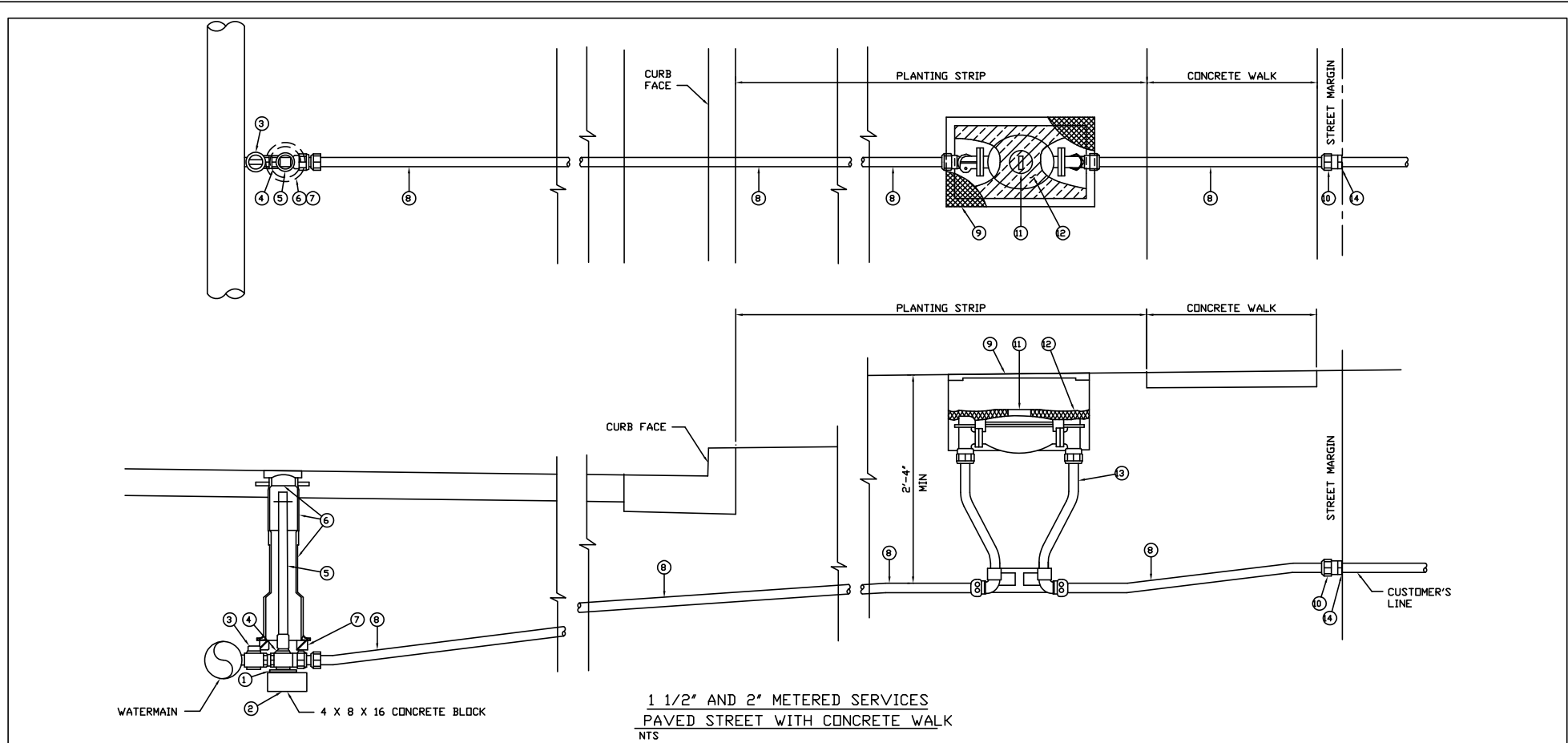
* LENGTH AS NEEDED

MATERIAL LIST				
1" SERVICE				
ITEM	QTY	UNITS	DESCRIPTION	NUMBER
1			NOT USED	
2			NOT USED	
3	1	EA	1" AWWA X 1" MIPT BALL TYPE BRASS CORPORATION STOP	FORD FB1000
4	*	LF	1" COPPER SERVICE TUBE, TYPE K W/80 MIL WAX TAPE WRAP	TRENTON # 1 OR EQ.
5	1	EA	1" METER SETTER W/SINGLE TOP SHUT-OFF COCK	MC # 22-418W X 22-44
6	1	EA	#2 METER BOX AND LID	OLYMPIC F. SM29
7	1	EA	1" METER, RELOCATE EXISTING OR SPU WILL PROVIDE	
8	1	EA	13" X 18" INSULATION BLANKET	
9	1	EA	1" ADAPTER COUPLING, COMP X MIPT	
10	1	EA	1" DIELECTRIC UNION, FIPT X FIPT	
11	*	LF	IF WATERMAIN IS COATED, WRAP W/80 MIL WAX TAPE WRAP	TRENTON # 1 OR EQ.

* LENGTH AS NEEDED

REVISIONS			SIGNATURE & TITLE		DATE
NO.	DATE	INITIALS	DESCRIPTION	APP'D	DATE

SEATTLE PUBLIC UTILITIES WATER BRANCH	
STANDARD PLAN 3/4" AND 1" WATER METER INSTALLATION AND MATERIALS LIST	
DATE 12/11/2002	VAULT/STD PLAN NO. 735-1
SHEET 1 OF 1	SCALE: 1"=1'-0"



MATERIAL LIST				
1 1/2" SERVICE				
ITEM	QTY	UNITS	DESCRIPTION	NUMBER
1	AS NEEDED	EA	STEEL WEDGES	
2	1	EA	4 X 8 X 16 CONCRETE BLOCK	
3	1	EA	1 1/2" AWWA X 1 1/2" MIPT BALL TYPE BRASS CORPORATION STOP	FORD FB400-6
4	*	EA	1 1/2" BRASS CURB STOP, FIPT X COMP & W/ 2" OPERATING NUT	MC # 6102-22-1 1/2 IN
5	1	EA	VALVE OPERATING NUT EXTENSION, SEATTLE STD PLAN No. 315.1b	
6	1	EA	VALVE BOX W/LID, SEATTLE PLAN No. 315.1a	
7	1	EA	10" O.D. X 6" I.D. X 2" THICK PLASTIC FOAM RING	ETHANFOAM
8	AS NEEDED	LF	1 1/2" COPPER SERVICE TUBE, TYPE K W/80 MIL WAX TAPE WRAP	TRENTON # 1 DR EQ.
9	1	EA	#3 METER BOX AND LID	DLYMPIC F. SM30
10	1	EA	1 1/2" ADAPTER COUPLING, COMP X MIPT	
11	1	EA	1 1/2" METER, RELOCATE EXISTING DR SPU WILL PROVIDE	
12	1	EA	15" X 30" INSULATION BLANKET	
13	1	EA	1 1/2" METER SETTER W/SHUT-OFF COCKS ON EACH END	MC # 22B625W22665
14	1	EA	1 1/2" DIELECTRIC UNION, FIPT X FIPT	
15	AS NEEDED	LF	IF WATERMAIN IS COATED, WRAP W/80 MIL WAX TAPE WRAP	TRENTON # 1 DR EQ.

* LENGTH AS NEEDED

MATERIAL LIST				
2" SERVICE				
ITEM	QTY	UNITS	DESCRIPTION	NUMBER
1	AS NEEDED	EA	STEEL WEDGES	
2	1	EA	4 X 8 X 16 CONCRETE BLOCK	
3	1	EA	1 1/2" AWWA X 2" MIPT BALL TYPE BRASS CORPORATION STOP	MC # 3121B-1 1/2 IN
4	*	EA	2" BRASS CURB STOP, FIPT X COMP & W/ 2" OPERATING NUT	MC # 6102-22-2
5	1	EA	VALVE OPERATING NUT EXTENSION, SEATTLE STD PLAN No. 315.1b	
6	1	EA	VALVE BOX W/LID, SEATTLE PLAN No. 315.1a	
7	1	EA	10" O.D. X 6" I.D. X 2" THICK PLASTIC FOAM RING	ETHANFOAM
8	AS NEEDED	LF	2" COPPER SERVICE TUBE, TYPE K W/80 MIL WAX TAPE WRAP	TRENTON #1 DR EQUAL
9	1	EA	#3 METER BOX AND LID	DLYMPIC F. SM30
10	1	EA	2" ADAPTER COUPLING, COMP X MIPT	
11	1	EA	2" METER, RELOCATE EXISTING DR SPU WILL PROVIDE	
12	1	EA	15" X 30" INSULATION BLANKET	
13	1	EA	2" METER SETTER W/SHUT-OFF COCKS ON EACH END	MC # 22B715W22775
14	1	EA	2" DIELECTRIC UNION, FIPT X FIPT	
15	AS NEEDED	LF	IF WATERMAIN IS COATED, WRAP W/80 MIL WAX TAPE WRAP	TRENTON #1 DR EQUAL

* LENGTH AS NEEDED

REVISIONS				SIGNATURE & TITLE		DATE
NO.	DATE	INITIALS	DESCRIPTION	APP'D	WATER ENGINEERING:	
					DESIGNED BY	
					CHECKED BY	
					DRAFTED BY	
					CHECKED BY	

SEATTLE PUBLIC UTILITIES
WATER BRANCH

STANDARD PLAN
1 1/2" AND 2" WATER METER
INSTALLATION AND MATERIALS LIST

DATE 12/11/2002
SHEET 1 OF 1 SCALE: 1"=1'-0"

VAULT/STD PLAN NO.
735-2

735219MS