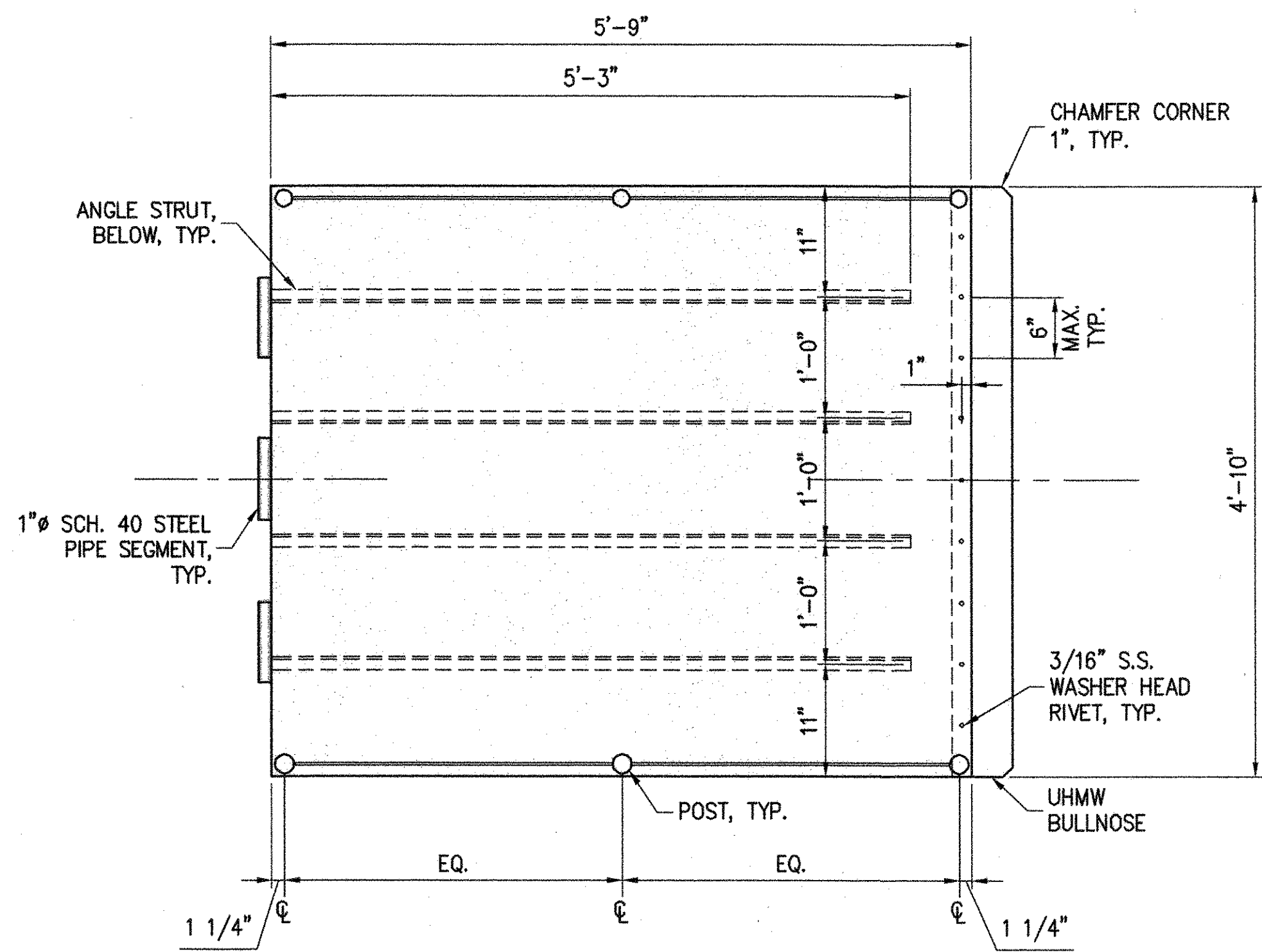
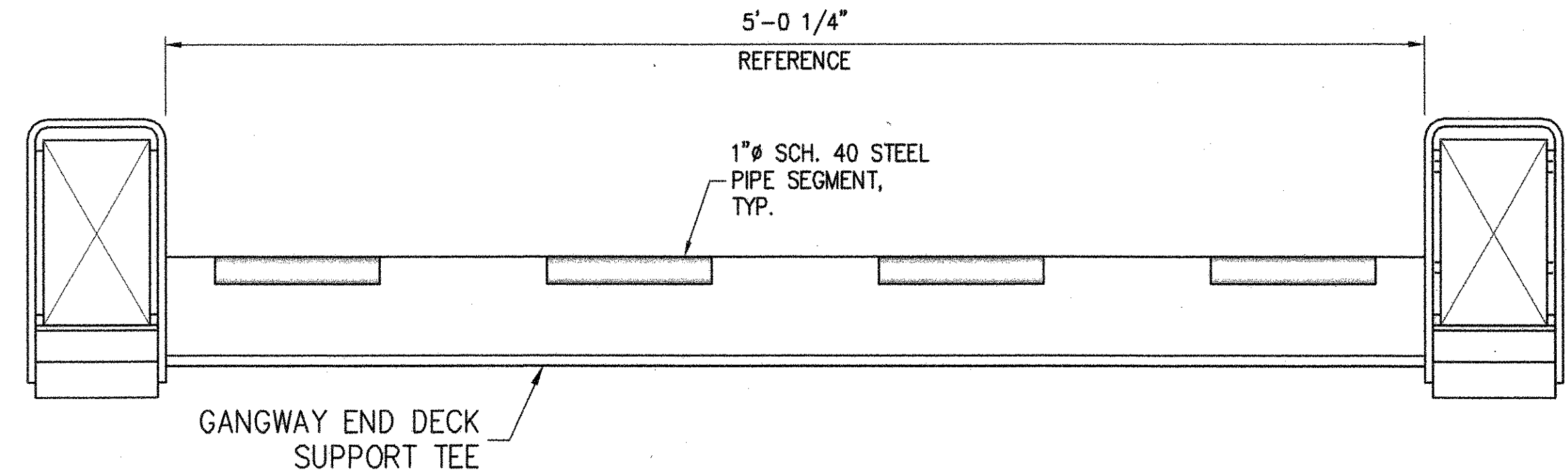


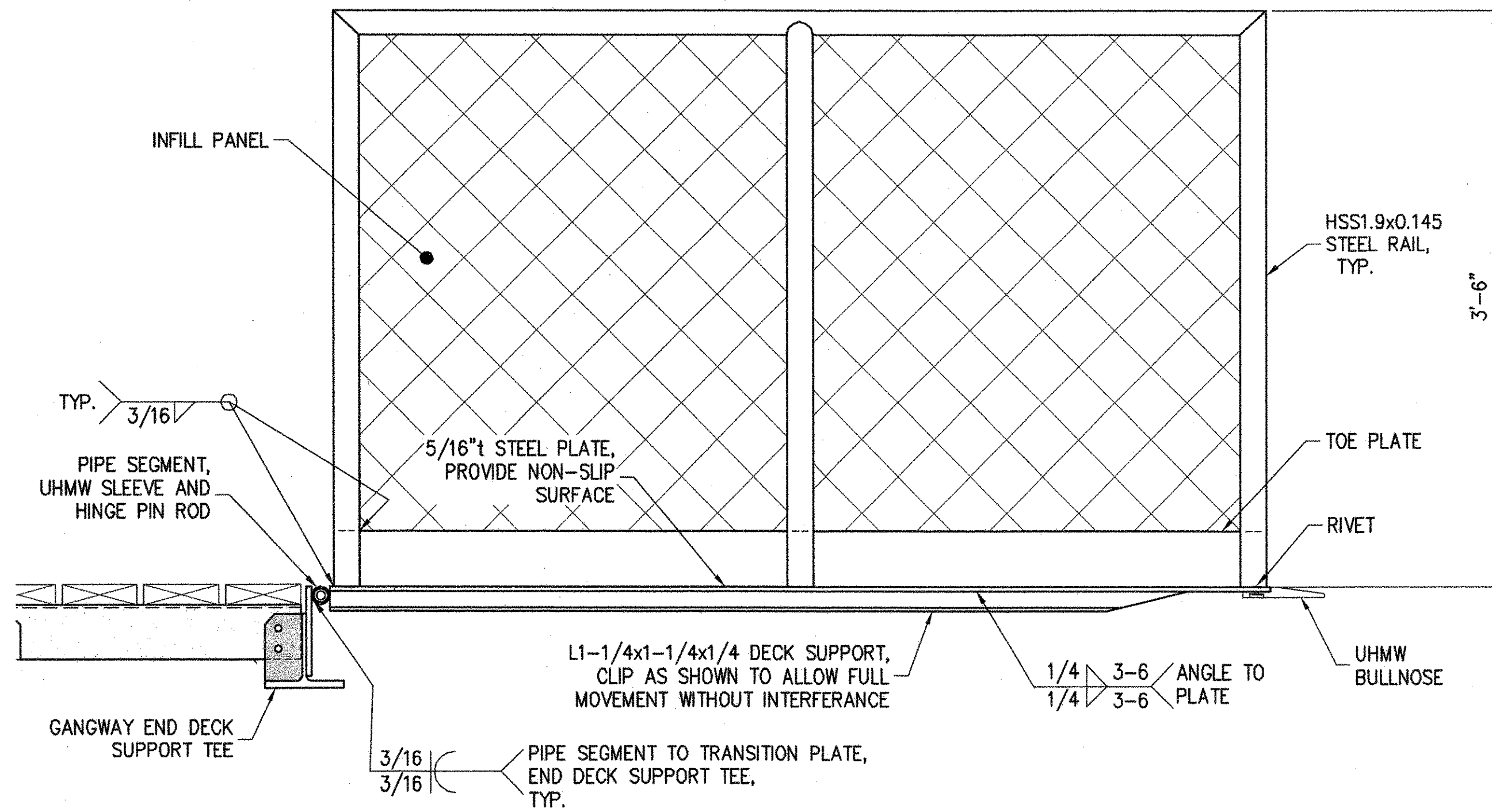
3/17/10 Drawings 2009\094046.02 - CWB Floating Dock Retrofit\Final\094046.02-012A-12B-12C-12D.dwg



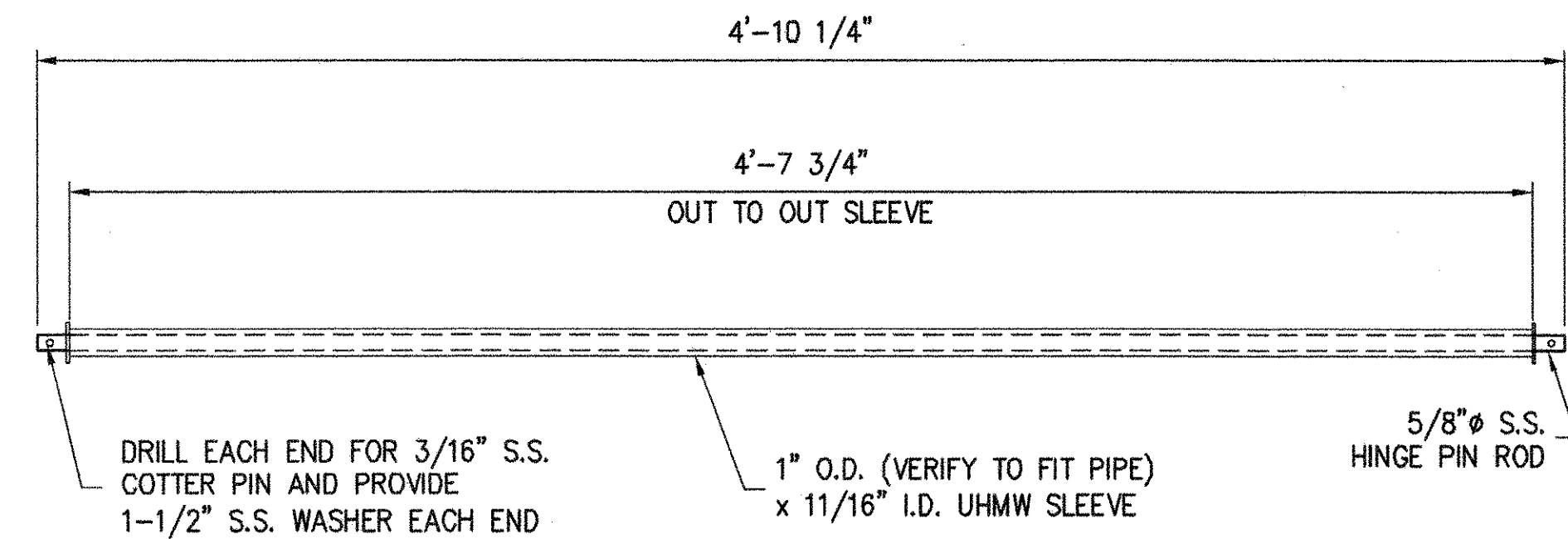
PLAN



END VIEW



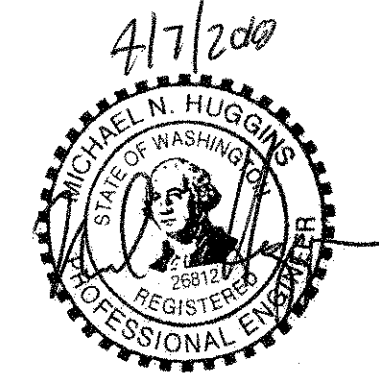
ELEVATION



HINGE PIN

THE CITY OF SEATTLE
DEPARTMENT OF
PLANNING
AND DEVELOPMENT
OCT 25 2010
APPROVED Subject to Errors
And Omissions
By: *[Signature]*
CHELSEY BURWELL

RECEIVED
APR 12 2010
Dept. of Planning &
Development
Plans Routing



EXP 2/23/2012

NOTE:
WELD ALL JOINTS WITH 5/16\"/>

PROJECT:
**CENTER FOR WOODEN BOATS
FLOAT RECONFIGURATION**

TITLE:
**WEST ENTRY GANGWAY
TRANSITION RAMP**

REV	DATE	DESCRIPTION

DESIGNED BY: MNH
DRAWN BY: ALR
CHECKED BY:
DATE: AUGUST 2009
SCALE: NOTED
PROJECT NO: 094046.02
SHEET NO: