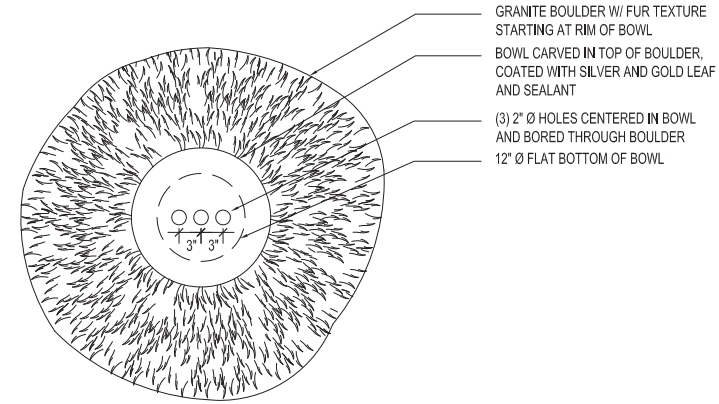
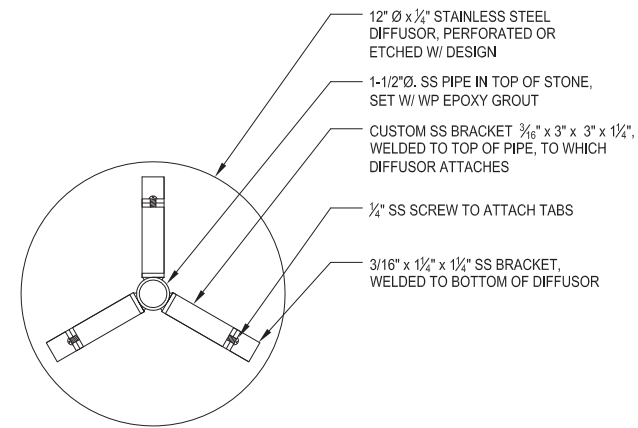


1 SPRING SOURCE STONE  
SCALE: 1" = 1' 0"

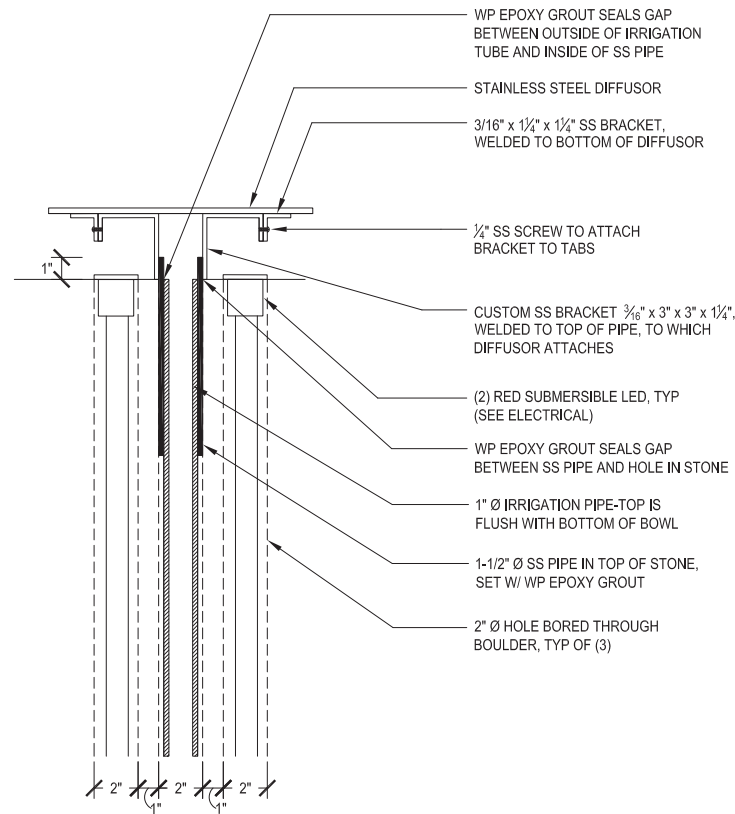


2 SPRING SOURCE STONE - PLAN  
SCALE: 1" = 1' 0"

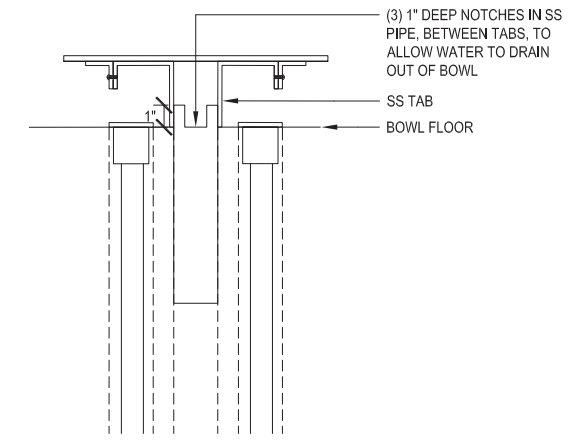
- ART ELEMENT BY ARTIST:**
- PROCURE, CARVE, & DELIVER SOURCE STONE
  - PROVIDE AND INSTALL STAINLESS STEEL PIPE & DIFFUSOR PLATE FOR BOWL OF SOURCE STONE
  - PROCURE, DELIVER, & COORDINATE WITH CONTRACTOR TO INSTALL SPECIAL AGGREGATE FOR TOP OF GRAVEL PAVING
- ART ELEMENT BY CONTRACTOR:**
- INSTALL SOURCE STONE & FOOTING
  - INSTALL IRRIGATION & LIGHTS ASSOCIATED WITH SOURCE STONE
  - INSTALL GRAVEL PAVING



3 DIFFUSOR DETAIL-PLAN  
SCALE: 3" = 1' 0"



4 DIFFUSOR DETAIL-SECTION  
SCALE: 3" = 1' 0"



5 WATER INLET/OUTLET DETAIL  
SCALE: 3" = 1' 0"

3		
2		
1		
NO.	REVISION - AS BUILT	DATE

REVIEWED: \_\_\_\_\_ DATE \_\_\_\_\_  
PARK ENGINEER

All work done in accordance with the City of Seattle Standard Plans and Specifications in effect on the date shown above, and supplemented by Special Provisions.

**HADDAD DRUGAN LLC**  
ARTISTS

1941 1st avenue s. studio 31  
seattle, washington 98134  
v 206 621 7333  
f 206 621 7336  
www.haddad-drugan.com



**NORTHGATE URBAN CENTER**

**SPRING SOURCE STONE**

DESIGNED	DATE 2009-06-11
DRAWN	SHEET 1 OF 1
CHECKED	
ORDINANCE NO.	ART 1 FABRICATION DETAILS
CONTRACT NO.	
SCALE	AS NOTED