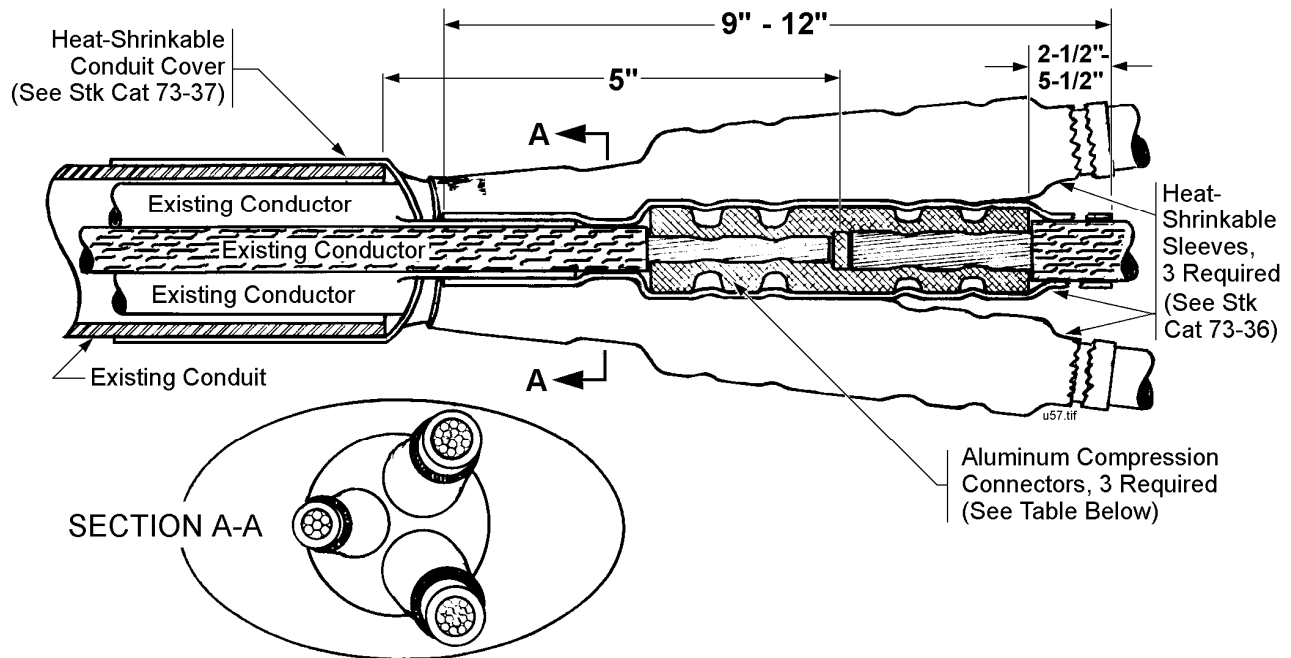


**INTERCEPTING EXISTING UNDERGROUND SERVICE**



**Cut-Away View of Neutral Conductor Splice**  
 (other conductors spliced similarly)

**Connector List**

Splice Type	Color Code	Conductor Size		Tool				Stock No.	Manufacturer's Catalog No.* (Burndy)
				Y35		MD6			
				Die	Crimps Per End	Die	Crimps Per End		
Straight	Gray-Orange	2/0	#4	U249	2	W-K840	7	-	YSD26R2W
Straight	Gray-Red	2/0	#1-2	U249	2	W-K840	7	-	YSD26R2R
Straight	Gray-Yellow	2/0	1/0	U249	2	W-K840	7	-	YSD26R25R
Straight	Gray-Gray	2/0	2/0	U249	2	W-K840	7	-	YSD26R26R
Straight	Pink-Red	4/0	#1-2	U249	2	W-K840	7	-	YSD28R2R
Straight	Pink-Yellow	4/0	1/0	U249	2	W-K840	7	-	YSD28R25R
Straight	Pink-Gray	4/0	2/0	U249	2	W-K840	7	-	YSD28R26R
Straight	Pink-Black	4/0	3/0	U249	2	W-K840	7	-	YSD28R27R
Straight	Pink-Pink	4/0	4/0	U249	2	W-K840	7	-	YSD28R28R
Straight	-	350	350	U299	5	-	-	650609	YS31AY
Tap	-	2/0	#6	U-D3	1	MD6	4	-	YPC27AU4
Tap	-	4/0	#6	U-D3	1	MD6	4	-	YPC28U4
Tap	-	2/0	4/0	U-N	3	-	-	-	YPC33R28R

\* For contractor's use only.

ORIGINATOR	STANDARDS COORDINATOR	STANDARDS SUPERVISOR	UNIT DIRECTOR
<i>Jim S. Horn</i>	<i>Charles L. Shaffer</i>	<i>John C. Hinman</i>	<i>Betty Robini</i>