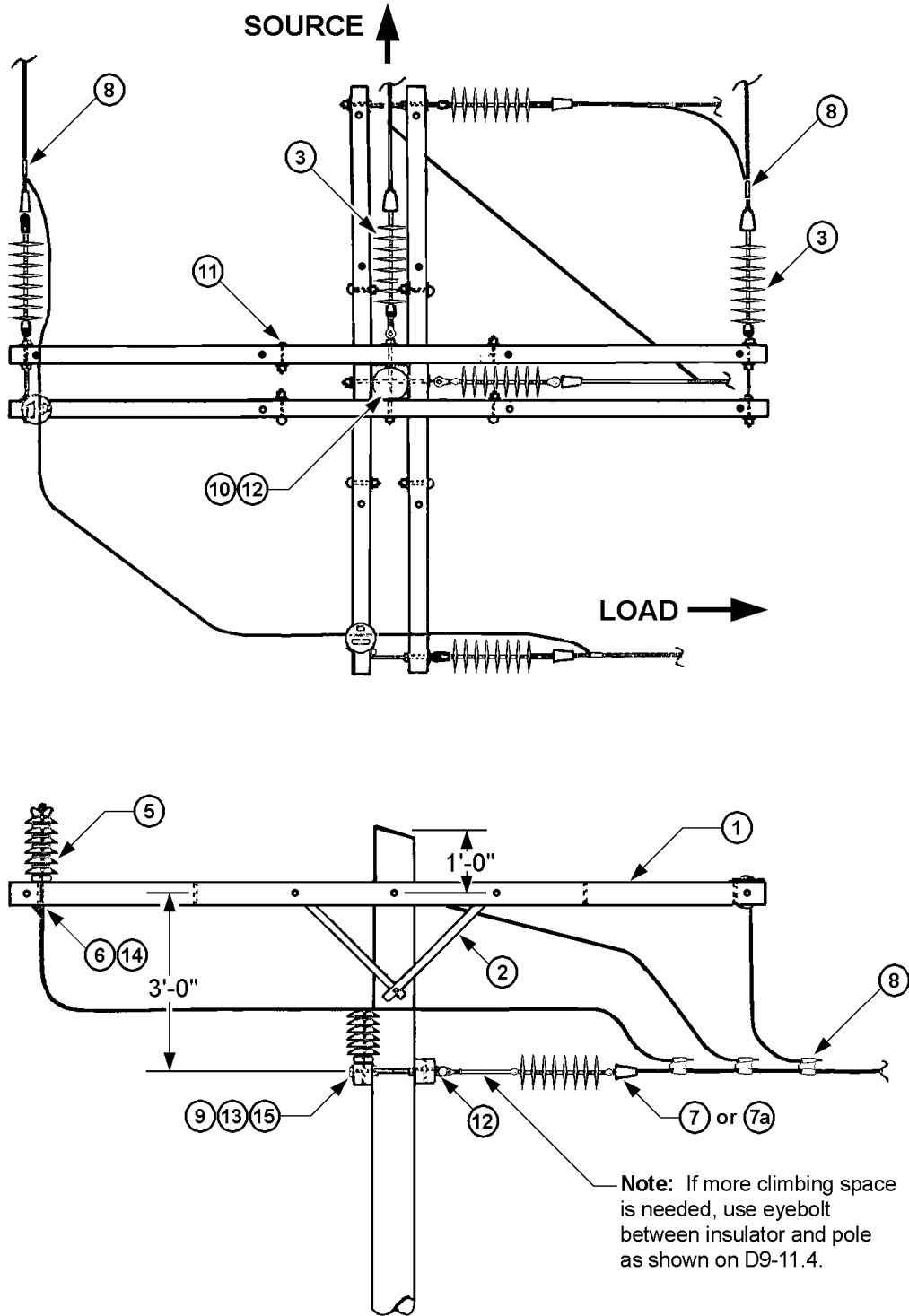


**15/26 KV DISTRIBUTION
 CORNER POLE DETAILS 3Ø BOTH WAYS**



d9-671.tif

ORIGINATOR	STANDARDS COORDINATOR	STANDARDS SUPERVISOR	UNIT DIRECTOR
<i>Jim S. Horn</i>	<i>Charles L. Shaffer</i>	<i>John Schinner</i>	<i>Harold J. J.</i>

MATERIAL LIST

Item	Quantity	Description	Stock Number	
1	3	CROSSARM, 10', 6 pin	540146	
2	3	BRACE, Flat, 32"	563005E	
3	6	INSULATOR, Deadend, Polymer, 21"	690233	
5	2	INSULATOR, Post Top, 34.5 kV	690157	
6	2	STUD, Long, 3/4" x 7"	696828E	
7	6	CLAMP, Deadend, Straight Line, for ACSR & AAC	3/0 to 477	694292
			795 to 954	694294
7A	6	DEADEND, Automatic, Cu	#4 581332E	
8	6	CONNECTOR, Ampact, state size and material	See 65-8	
9	4	BOLT, Double Arming, Galvanized, 5/8" x L	See 56-14	
10	2	BOLT, Machine, Galvanized, 5/8" x L	See 78-19	
11	8	BOLT, Machine, Galvanized, 1/2" x 6"	780806E	
12	6	NUT, Eye, 5/8"	565252E	
13	6	WASHER, Square, Flat, 2-1/4" x 2-1/4"	585135E	
14	2	WASHER, Coil Spring Lock, 3/4"	584267E	
15	4	WASHER, Coil Spring Lock, 5/8"	584261E	