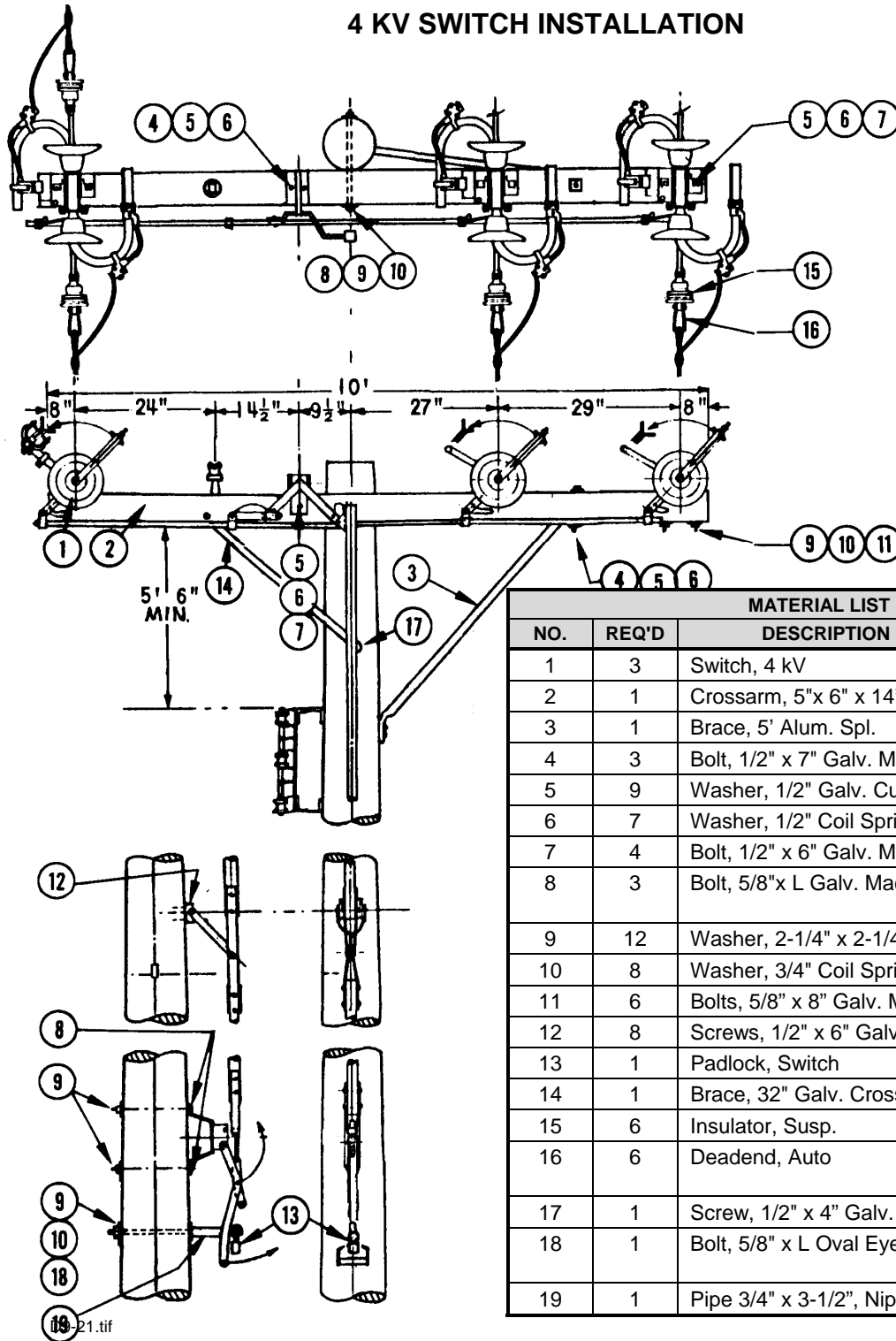


4 KV SWITCH INSTALLATION



MATERIAL LIST			
NO.	REQ'D	DESCRIPTION	STOCK
1	3	Switch, 4 kV	250045
2	1	Crossarm, 5"x 6" x 14' Alley	540014
3	1	Brace, 5' Alum. Spl.	563013
4	3	Bolt, 1/2" x 7" Galv. Mach.	780808E
5	9	Washer, 1/2" Galv. Cut	585025E
6	7	Washer, 1/2" Coil Spring	584257E
7	4	Bolt, 1/2" x 6" Galv. Mach.	780806E
8	3	Bolt, 5/8"x L Galv. Mach.	780844E thru 781040E
9	12	Washer, 2-1/4" x 2-1/4" Sq.	585135E
10	8	Washer, 3/4" Coil Spring	584267E
11	6	Bolts, 5/8" x 8" Galv. Mach.	780840E
12	8	Screws, 1/2" x 6" Galv. Lag.	785265E
13	1	Padlock, Switch	-----
14	1	Brace, 32" Galv. Crossarm	563005E
15	6	Insulator, Susp.	620208
16	6	Deadend, Auto	581332E thru 581335
17	1	Screw, 1/2" x 4" Galv. Lag.	785261E
18	1	Bolt, 5/8" x L Oval Eye	561106 thru 561122
19	1	Pipe 3/4" x 3-1/2", Nipple	712885

Switch handle base shall be mounted 5 feet above ground unless otherwise specified.

ORIGINATOR	STANDARDS COORDINATOR	STANDARDS SUPERVISOR	UNIT DIRECTOR
<i>Jim S. Horn</i>	<i>Charles L. Shaffer</i>	<i>John C. ...</i>	<i>Betty Robin</i>