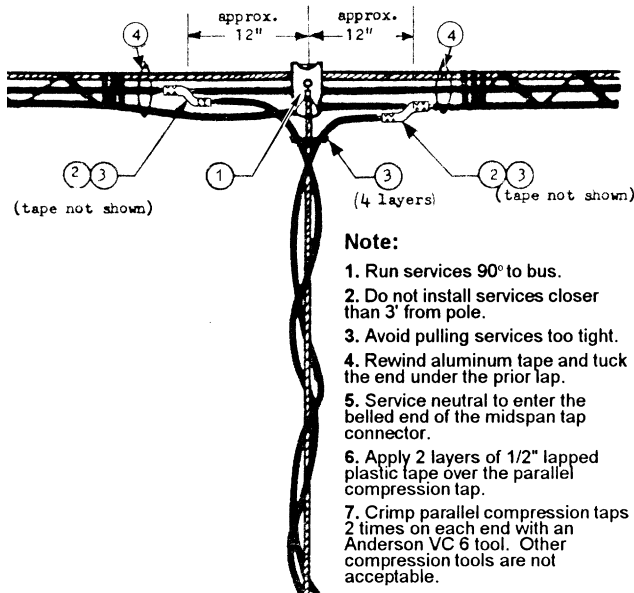


SEATTLE CITY LIGHT
CONSTRUCTION GUIDELINE

STANDARD NUMBER: **D9-11.6**
 PAGE: 1 of 1
 DATE: October 20, 1965
 REV: December 18, 1998

4/0 PARALLEL CABLE

MIDSPAN TAP DETAILS



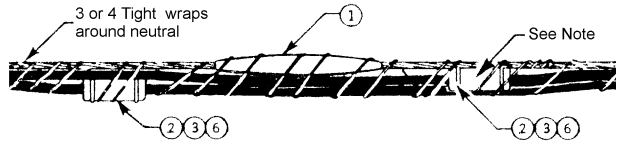
Note:

1. Run services 90° to bus.
2. Do not install services closer than 3' from pole.
3. Avoid pulling services too tight.
4. Rewind aluminum tape and tuck the end under the prior lap.
5. Service neutral to enter the belled end of the midspan tap connector.
6. Apply 2 layers of 1/2" lapped plastic tape over the parallel compression tap.
7. Crimp parallel compression taps 2 times on each end with an Anderson VC 6 tool. Other compression tools are not acceptable.

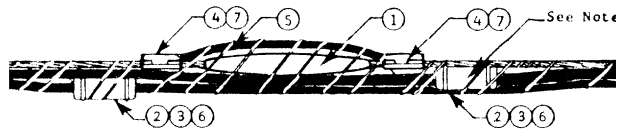
MATERIAL LIST

Item	Qty	Description	Stock No.	Mfg. Cat. or Matl. Spec
1	1	Tap, Bolted, Neutral Midspan 1/0-3/0	651110	Alcoa # 206
2	2	Tap, AMPACT, 4/0 to #2, Tap, AMPACT, 4/0 to 1/0	651090 651102	----- -----
3	As Reqd	Tape, Plastic Electrical	736655E	Matl. Spec. 7366.5
4	2	Strap, Tie, Plastic, 14", 120lb, Blk.	735811E	Matl. Spec. 7358.1

SPLICE



Under Local Distribution



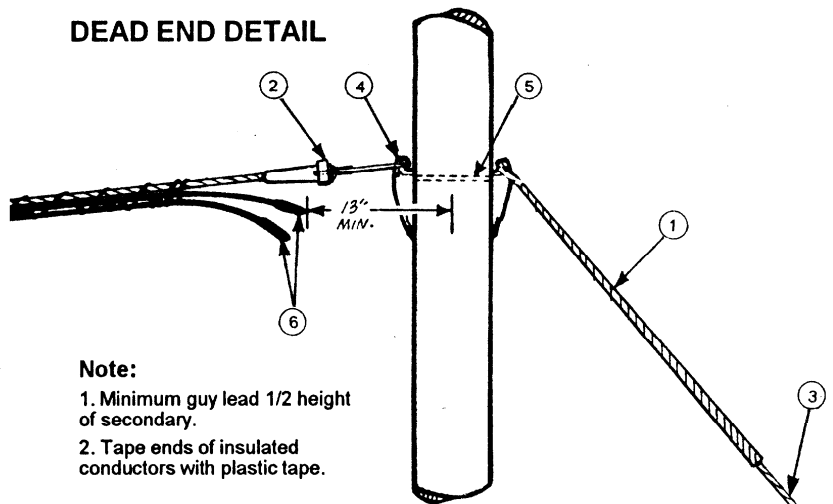
Neutral Shunt Under Main Line Feeder Only

Note: Use one layer insulating and waterproofing putty tape. Form putty tape around connector. Install polyethylene cover over the insulated splice for mechanical protection.

MATERIAL LIST

Item	Qty.	Description	Size	Stk No.
1	1	Splice, Automatic Guy Strand	7/16"	565338
2	2	Connector, Alum. Compression	4/0	650104E
3	2	Cover, Heat Shrink Tubing		737450E
4	2	Connector, Alum. Compression Tap	4/0	677332E
5	As Reqd	4/0 Insul. Alum. Scrap from Triplex	4/0	600669
6	As Reqd	Tape, Insul. & Waterproofing Putty		736470E
7	As Reqd	Tape, Plastic Insulating		736655E

DEAD END DETAIL



Note:

1. Minimum guy lead 1/2 height of secondary.
2. Tape ends of insulated conductors with plastic tape.

MATERIAL LIST				
ITEM	QTY	DESCRIPTION	SIZE	STOCK NO.
1	1	Alumaweld Guy Wire Grip	7/16"	565124E
2	1	Alumaweld Guy Dead End	7/16"	565051
3	As Reqd	Alumaweld Guy Wire	20M	566408
4	2	Guy Hook		565195E
5	1	Bolt	3/4"x-L	780875E to 780878E
6	As Reqd	Tape, Plastic Electrical		736655E

ORIGINATOR	STANDARDS COORDINATOR	STANDARDS SUPERVISOR	UNIT DIRECTOR
<i>Jim S. Horn</i>	<i>Charles L. Shaffer</i>	<i>John C. Skinner</i>	<i>Betty Robin</i>