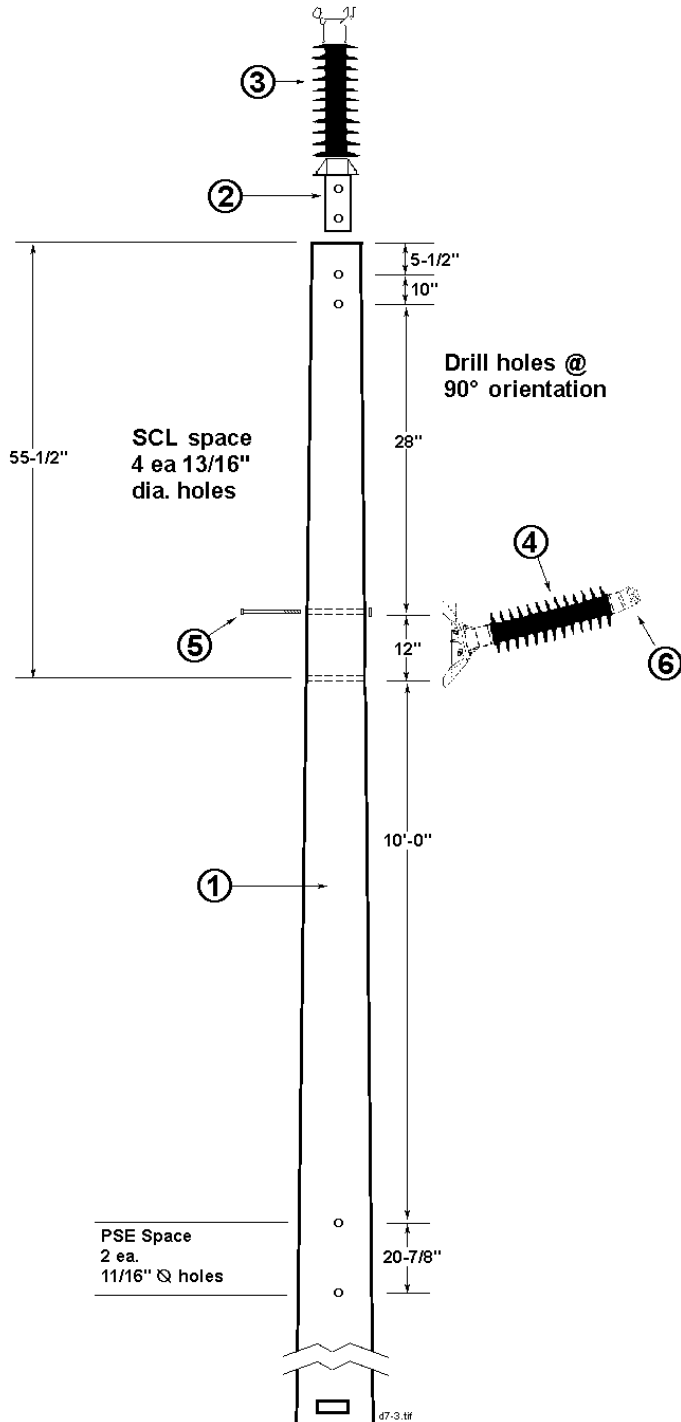


CONSTRUCTION GUIDELINE

**115 KV TRANSMISSION, 50' STEEL POLE FOR CEDAR FALLS LINE
 TO REPLACE 15 METER CONCRETE, OR 50' AND 55' WOOD POLES**



ORIGINATOR	STANDARDS COORDINATOR	STANDARDS SUPERVISOR	UNIT DIRECTOR
<i>Saul Croom</i>	<i>Jim S. Horn</i>	<i>John Schinner</i>	<i>Betty Robin</i>

ITEM	QTY	DESCRIPTION	STOCK #
1	1	Pole, Steel, 50'	*NON-STOCK
2	1	Bracket, Pole Top	693017
3	1	Insulator, Vertical	690154
4	2	Insulator, Horizontal	690189
5	4	Bolt, 3/4" x L	780875E or 780876E
6	2	Adapter, Clamp Top	693015
‡	3	Rod, Armor, 397.5	658935

* To be stored at Cedar Falls.

‡ Not Shown.

Sight gain or brand @ 12 feet from butt (7 feet in ground).