

**BRACES**

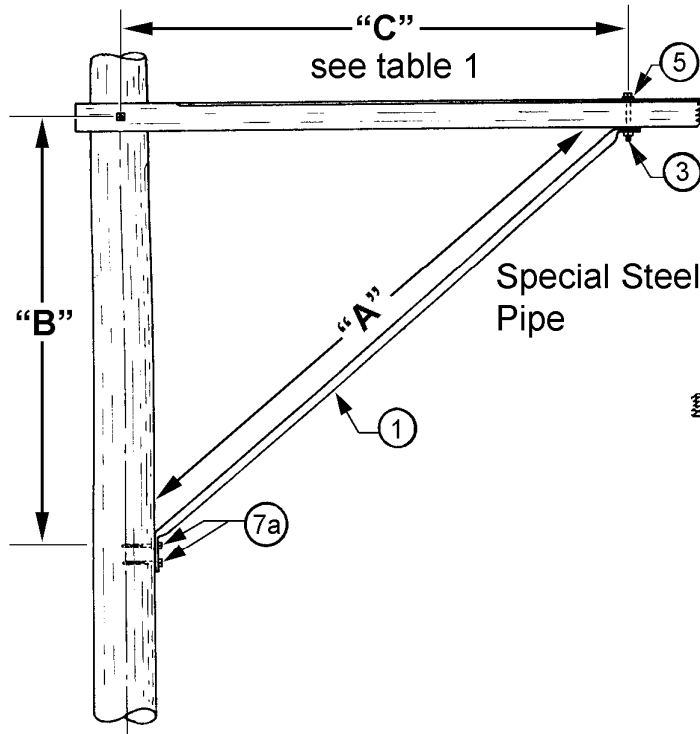
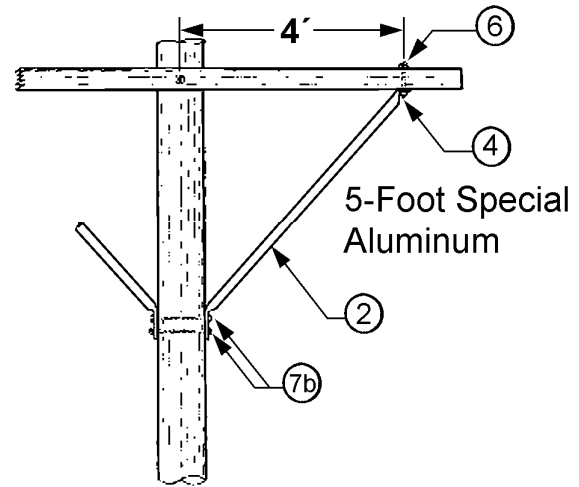


Table 1, Steel Pipe

A	B	C
9'-1"	5'-0"	7'-6"
12'-0"	7'-0"	9'-9"



**Note:** For 14' or 16' wing, use 1-1/2" x 12' galvanized steel pipe or 2" x 12' aluminum pipe.

Table 2, Material List

Item	Quantity	Description	Size	Stock No.
1	1	Brace, Galvanized Steel Pipe	1-1/4" x 9'-1"	563015
			1-1/4" x 12'-0"	012504
2	2	Brace, Aluminum	1-1/2" x 5'-0"	563013
3	1	Bolt, Galvanized Machine	5/8" x 7"	780838E
4	2	Bolt, Galvanized Machine	1/2" x 7"	780808E
5	1	Washer, Galvanized Cut	5/8"	585030E
6	2	Washer, Galvanized Cut	1/2"	585025E
7a	2	Screw, Galvanized Lag	1/2" x 6"	785265E
7b	4	Screw, Galvanized Lag	1/2" x 6"	785265E

STANDARDS COORDINATOR

*Charles L. Shaffer*

STANDARDS SUPERVISOR

*John Chinner*

UNIT DIRECTOR

*Hardee Juy*