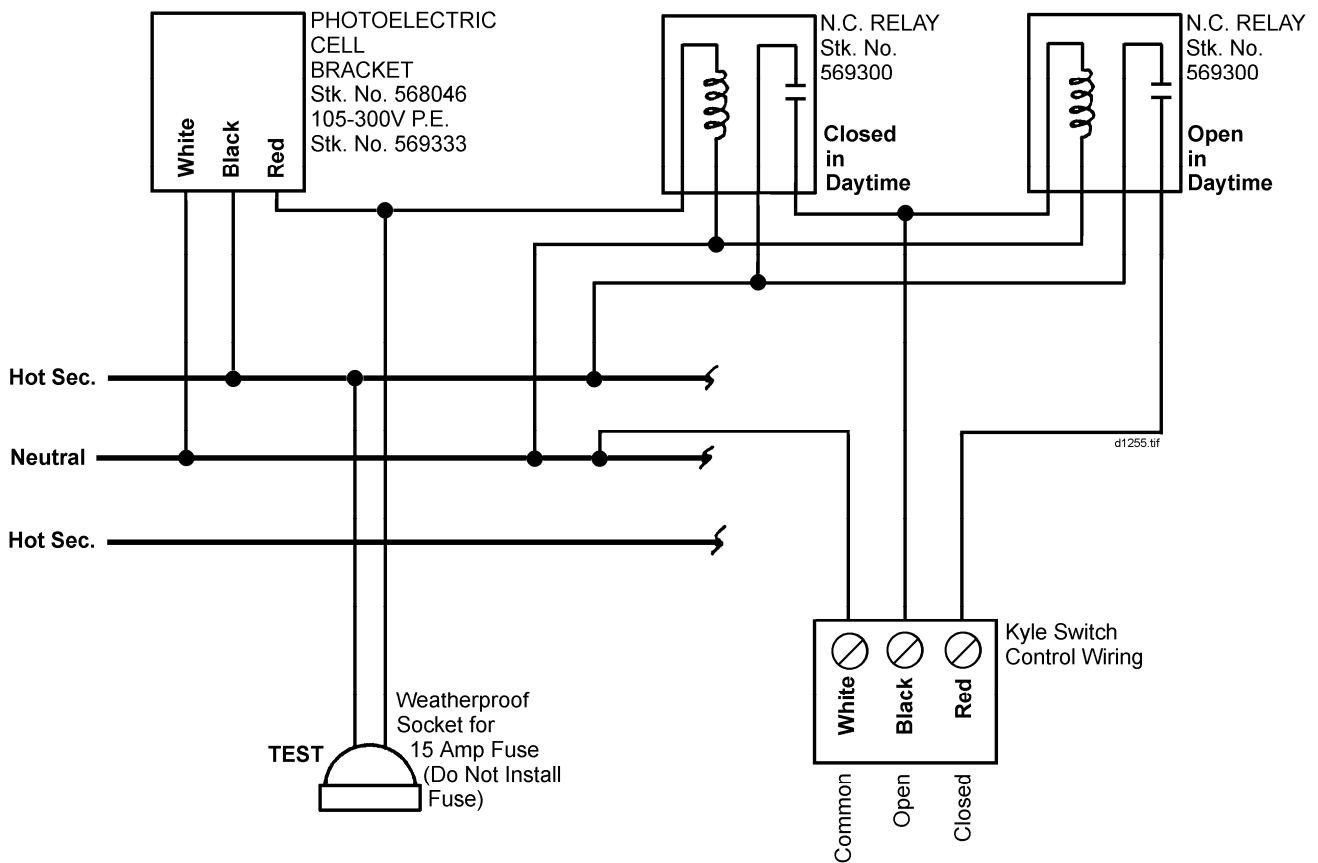
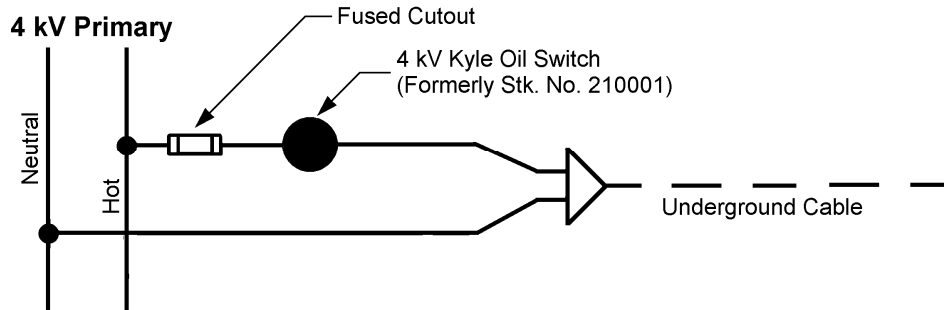


**PHOTOELECTRIC CONTROL FOR 2400 VOLT UNDERGROUND STREETLIGHT SYSTEM
 CONTROL WIRING SCHEMATIC**

NOT FOR NEW CONSTRUCTION



ORIGINATOR	STANDARDS COORDINATOR	STANDARDS SUPERVISOR	UNIT DIRECTOR
<i>Jim S. Horn</i>	<i>Charles L. Shaffer</i>	<i>John S. Skinner</i>	<i>Betty Robin</i>