

**CONSTRUCTION GUIDELINE**

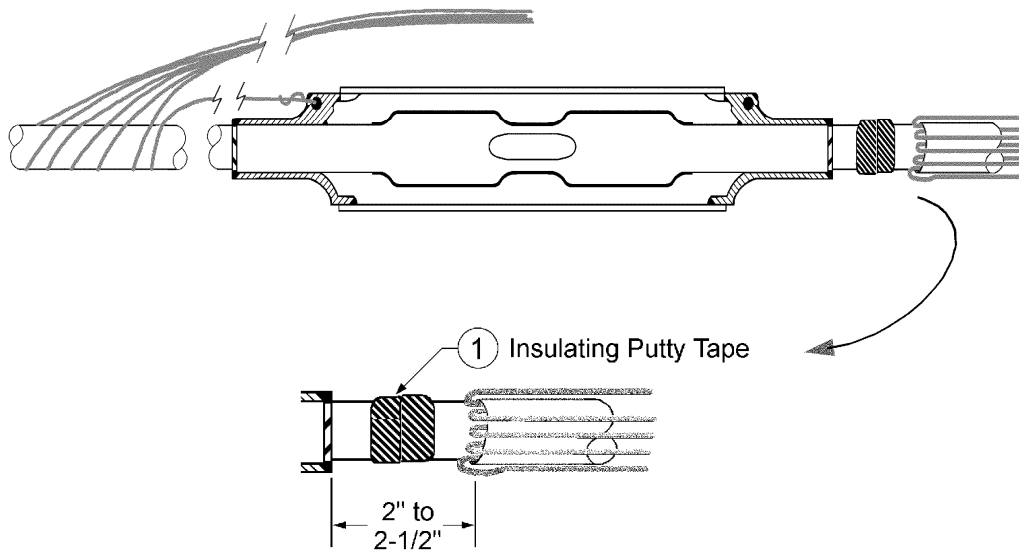
PAGE: 1 of 2

SUPERSEDING: September 29, 2006

EFFECTIVE DATE: May 15, 2008

**JACKET SEALING WHEN SPLICING  
JACKETED 1/0 28 kV C.N. CABLE TO  
BARE 1/0 28 kV C.N. CABLE**

The purpose of this procedure is to prevent water from getting under the jacket of the jacketed concentric cable. The splice itself, is considered to be waterproof when properly installed,



**Figure 1.**

- A.** Cut the cables off per the splice instructions.
- B.** Slide the cold shrink tube (Item 2) onto the jacketed cable and move it out of the way.
- C.** The jacket cut-back should be 2" to 2-1/2" beyond the end of the splice.
- D.** Fold the concentric neutral wires back over the jacket.
- E.** Install the splice per the manufacturer's instructions.
- F.** Install two wraps of insulating putty tape (Item 1) over the cable semicon shield midway between the end of the splice and the start of the cable jacket.

STANDARDS COORDINATOR

John Shipek

STANDARDS SUPERVISOR

John Barnett

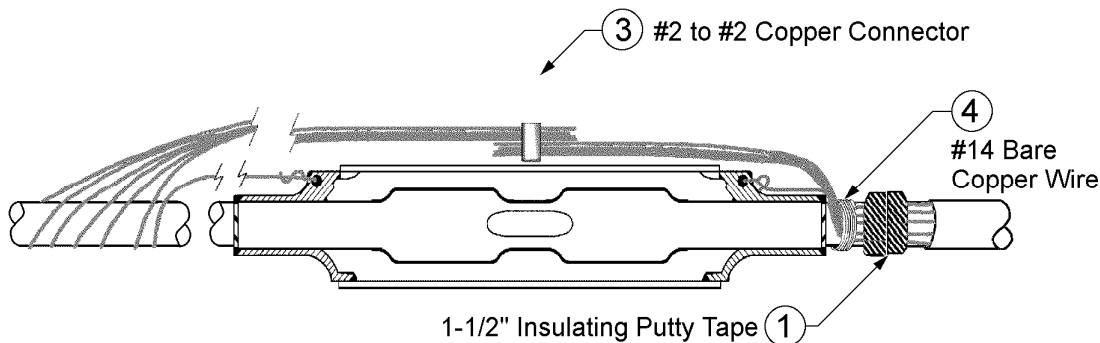
UNIT DIRECTOR

Richard Kent

SEATTLE CITY LIGHT  
**CONSTRUCTION GUIDELINE**

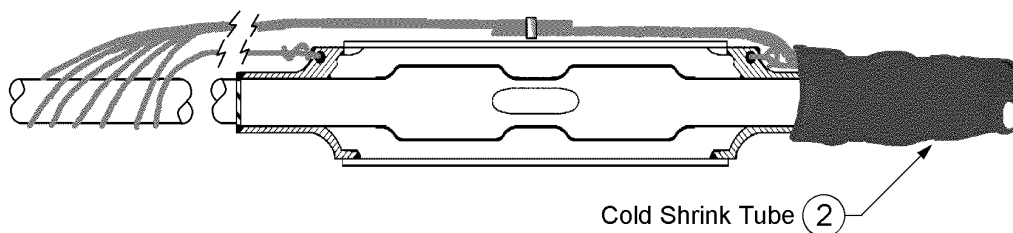
Jacket Sealing When Splicing Jacketed 1/0 28 kV C.N. Cable  
to Bare 1/0 28 kV C.N. Cable

STANDARD NUMBER: **U5-3.22.1**  
PAGE: 2 of 2  
SUPERSEDING: September 29, 2006  
EFFECTIVE DATE: May 15, 2008



**Figure 2.**

- G. Bend the concentric neutrals back over the cable and train parallel to the splice.
- H. The concentric neutrals should be separated from each other and embedded in the insulating putty tape.
- I. Install a serving of 4 wraps of No. 14 bare copper wire (Item 4) over the concentric neutral at the end of the splice.
- J. Connect one of the concentric neutrals from the jacketed cable to the eye near the end of the splice.
- K. Install another two wraps of insulating putty tape (Item 1) over the concentric neutral wires and the first two layers of insulating putty tape.



**Figure 3.**

- L. Move the cold shrink tube (Item 2) up into position so that it covers the insulating putty tape (Item 1) and the cable jacket.
- M. Remove the core of the cold shrink tube by pulling while unwinding in a counter-clockwise direction.
- N. Twist each set concentric neutrals together to form a round stranded conductor and connect together at the center of the splice with a copper crimpit (Item 3).

**Material List**

Item	Quantity	Description	Stock No.
1	1	TAPE, Putty, Insulating, 1-1/2"	736750E
2	1	TUBE, Cold Shrink, 2" x 6"	012687
3	as req'd	CONNECTOR, Copper, #2 to #2	677375E
4	1'	WIRE, Bare Copper, #14	610218E