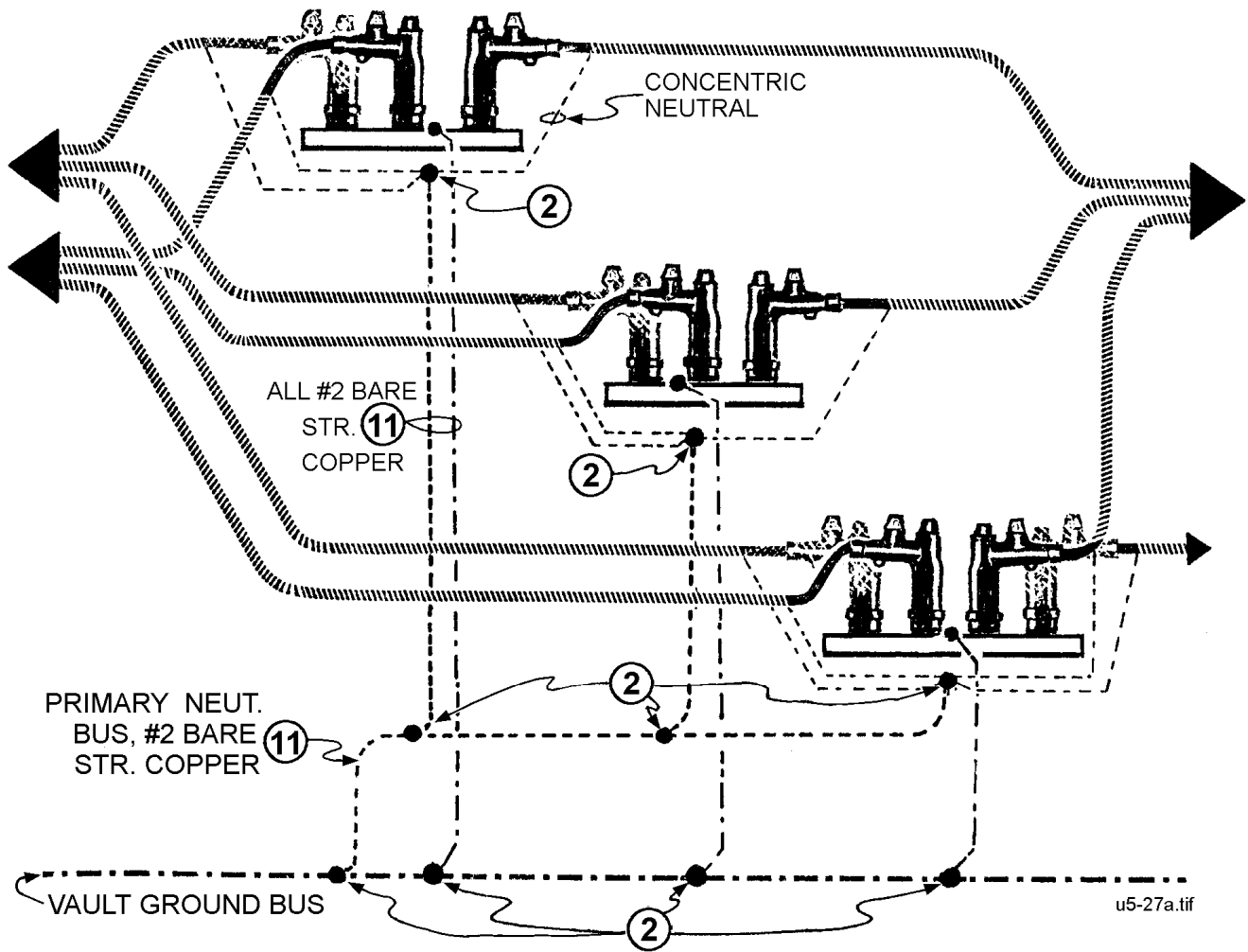


"J" BOX MOUNTING AND GROUNDING

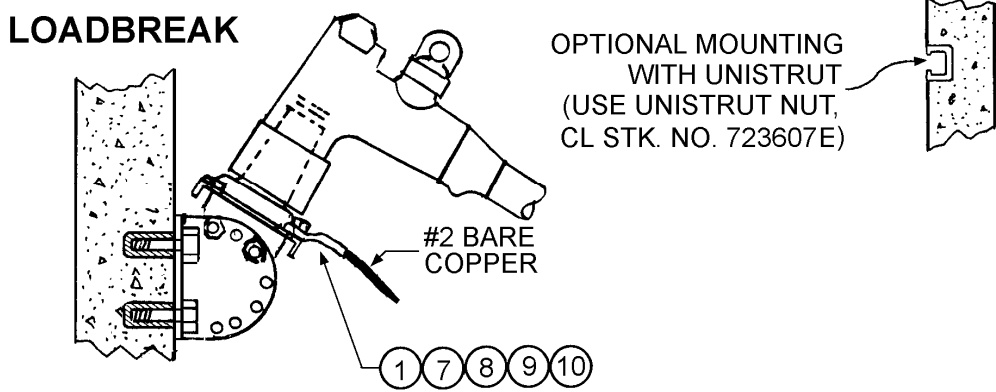
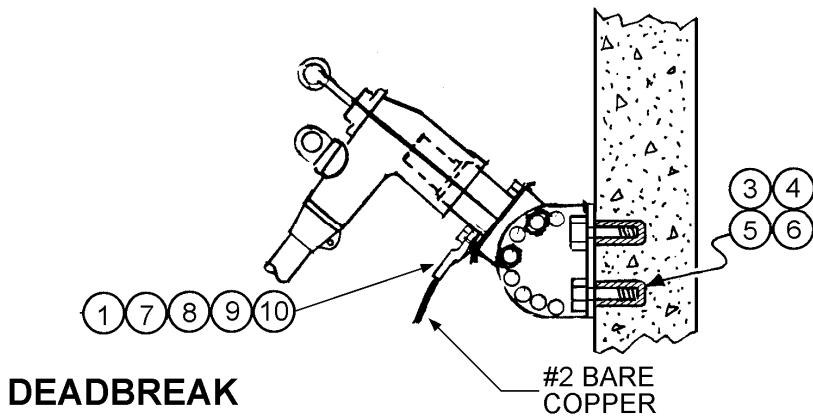


u5-27a.tif

Each "J" Box to be grounded separately.

ORIGINATOR	STANDARDS COORDINATOR	STANDARDS SUPERVISOR	UNIT DIRECTOR
<i>Jim S. Horn</i>	<i>Charles L. Shaffer</i>	<i>John C. Hinman</i>	<i>Betty Robin</i>

“J” BOX MOUNTING AND GROUNDING



MATERIAL LIST

ITEM	DESCRIPTION	STK. NO.	MATL. STD.	
1*	LUG, #2 Copper Compression	677071E	6770.7	
2	TAP, Copper	#2 to #2 Cripmet #2 to 2/0 #2 to #2 Split Bolt #2 to 2/0 2-bolt	677326E 669379E 668867E 669379E	6773.5 6693.7 6688.7 6693.7
3	BOLT, 1/2" x 1" Cad Plate	784825E	7847.1	
4	ANCHOR, Concrete, 1/2", "Tamp-In"	780078E	7800.7	
5	WASHER, 1/2" Lock, Galv.	584255E	5842.1	
6	WASHER, 1/2" Flat, Galv	585025E	5847.1	
7*	BOLT, 3/8" x 1" Silicon Bronze	784545E	7845.1	
8*	NUT, 3/8" Silicon Bronze	783323E	7833.3	
9*	WASHER, 3/8" Lock, Silicon Bronze	788123E	7880.2	
10*	WASHER, 3/8" Lock, Silicon Bronze	788024E	7880.2	
11	Wire, #2 Bare Stranded Copper, SD	610434	6103.9	

*Supplied with some junction boxes.