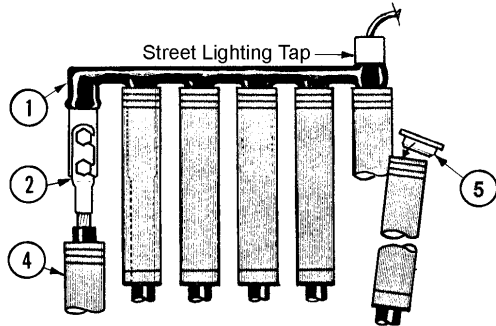


**SUBMERSIBLE MULTIPLE CONNECTOR INSTALLATION
 FOR ALUMINUM OR COPPER SECONDARY CABLE-TYPE USE**



Material List

Item	Description	Stock Number		
1	CONNECTOR , Multiple, 1000			
	3 position, #12 thru #4 (only) for streetlighting	678703		
	3 position, #6 thru 500 kcmil, Al or Cu	678800		
	4 position, #6 thru 500 kcmil, Al or Cu	678707		
	6 position, #6 thru 500 kcmil, Al or Cu	678713		
	8 position, #6 thru 500 kcmil, Al or Cu	678715		
2	TERMINAL LUG , Compression, for insulated Al or Cu conductor sizes:			
	#6	Tool & Die (all sizes) MD6, WK-840	Crimps, No. 4	678695E
	#4	MD6, WK-840	4	678697E
	#2	MD6, WK249	4	678692E
	#1	Y35-UK840	2	678693E
	1/0	Y35-W249	2	678694E
	2/0	T & B, Tx	4	678687E
	3/0	T & B, Tx	2	678696E
	4/0	Anderson VC-6	2	678689E
	250 kcmil	Y35-U655	3	678698E
	300 to 350 kcmil	Y35-U655	3	678699E
400 to 500 kcmil	Y35-U655	3	689700E	
3	TERMINAL LUG , Extra Long Barrel for #2, str. Cu conductor for transformer ground	MD6, Wk-162	2	012729
4	INSULATING SLEEVE			678620E
5	SLEEVE FOR PLUG			678618E

Standards Coordinator
Tanya Panomvana

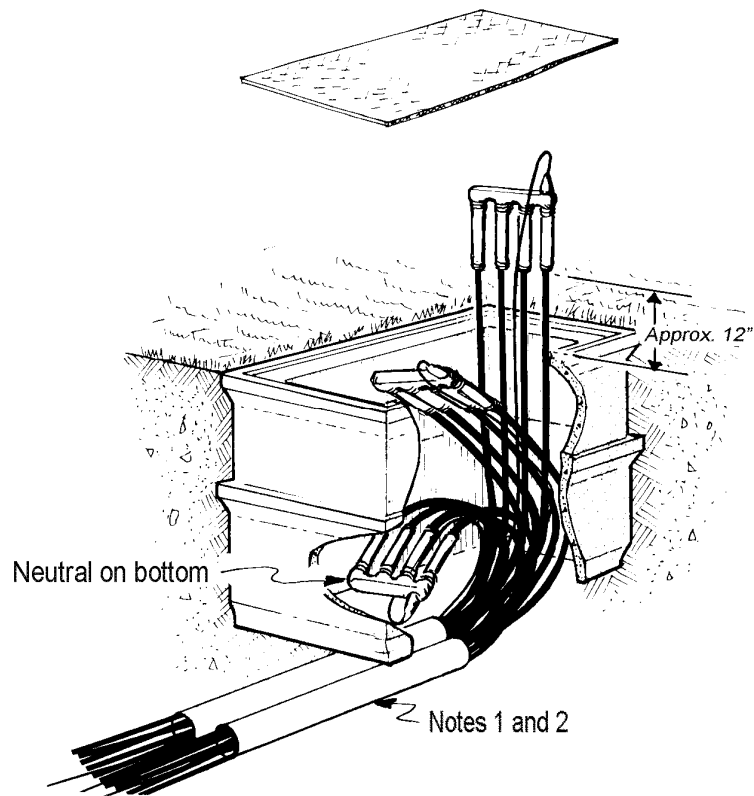
Standards Supervisor
John Shipek

Unit Director
Darnell Cola

Tanya Panomvana

John Shipek

Darnell Cola

CONSTRUCTION GUIDELINE**Notes:**

1. For direct burial cables, sleeve the cables with 1' to 2' lengths of PVC Type direct burial conduit to protect the cable from possible abrasion from the edge of the handhole.
2. For cables in conduit systems, the conduit shall sweep or 90° bend to a point above the groundline in the bottom of the handhole.
3. All cables going to the same service or main shall be in the same position on each connector.
4. All unused positions on the connector bus shall be capped with an insulating sleeve.
5. All cables not connected to the connector bus shall be capped and plugged with an insulating sleeve and a sleeve plug, except, all service neutrals shall be connected to the connector bus and shall be covered with insulating sleeves.
6. Installation of the connector, terminals, sleeves, plugs and covers shall be per the manufacturers literature with particular attention to brushing aluminum conductors, application of oxide inhibiting compound and proper tool, die and crimping instructions.
7. Provide pigtails in handholes as follows;
 - 6' in 17"x28"
 - 8' in 2'x3'x3' and 4'x4'x4'.
8. See U2-13.1/NVH-50 for Handhole installation.