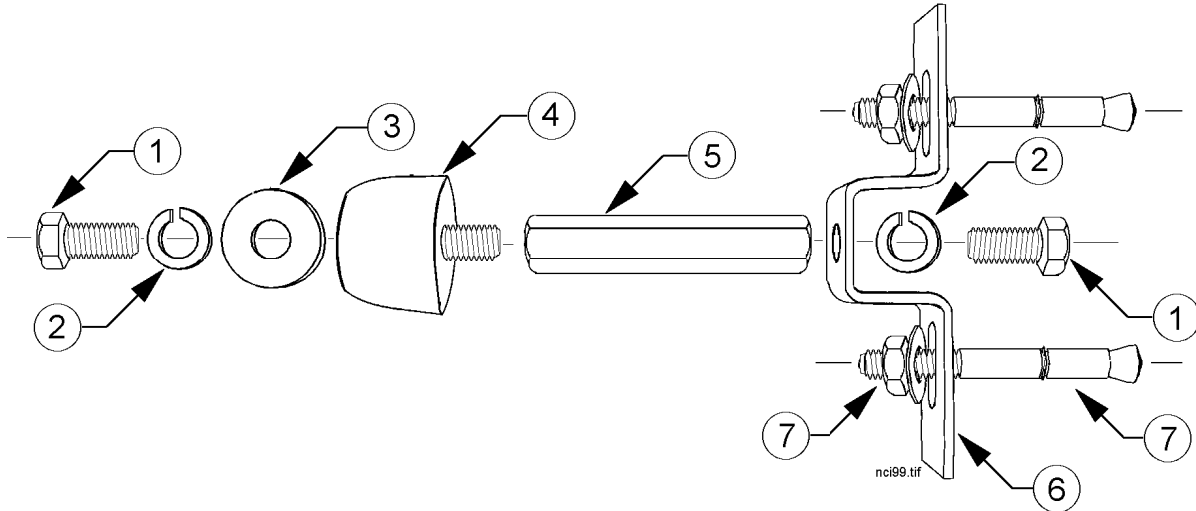


**LIGHT DUTY INSULATED SUPPORT ASSEMBLY
 NETWORK FACILITIES**



NOTES:

1. This assembly supports electrical devices which must be isolated from the facility they are installed in or from the reinforcing steel in a building or structure.
2. Safe working load on anchor stud bolts is 1900 lbs. (item 7, Quick Bolts).
3. Cantilever loading should not exceed 250 foot lbs. per assembly.
4. The base support, item 6, requires enlargement of the 9/16" diameter hole at the center to 11/16" to use the parts listed below.

Item	Qty.	Description	Stock No.	Matl. Std.
1	2	SCREW, cap, hex head, cad plated, 5/8" - 11 NC x 1"	784885E	7847.1
2	2	WASHER, 5/8" lock, galvanized	584260E	5842.1
3	1	WASHER, flat, 5/8"	585030E	5847.1
4	1	INSULATOR, Dirigo spool, neutral bus support	690880	6908.0
5	1	NUT, coupling, hex, steel, 5/8" - 11 NC	780050E	-
6	1	BASE, neutral bus support	690882	6908.2
7	2	ANCHOR, Stainless Steel, light duty, stud bolt (w/ stud, nut and washer)	780032	7800.9

ORIGINATOR	STANDARDS COORDINATOR	STANDARDS SUPERVISOR	UNIT DIRECTOR
<i>Keith "BLAG-HOG" Rosand</i>	<i>Jim S. Horn</i>	<i>John C. Dinning</i>	<i>Betty Robin</i>