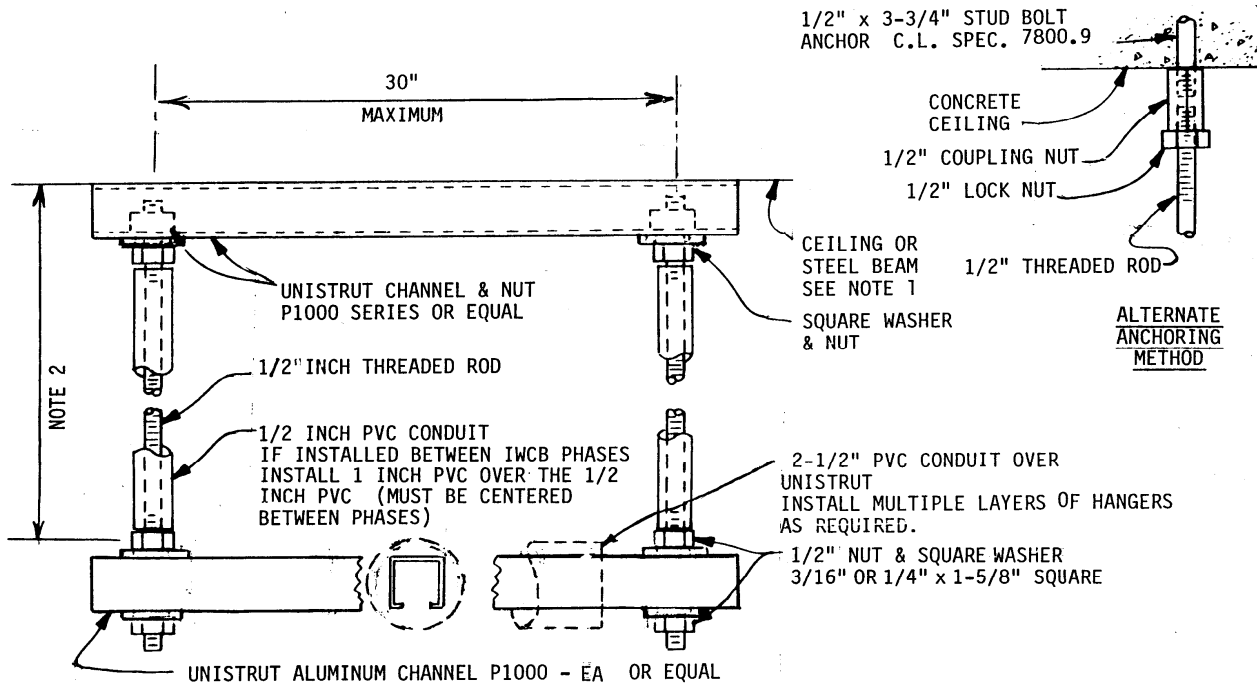
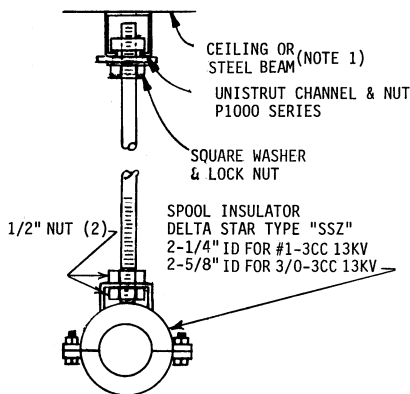


**CABLE HANGERS - FOR NETWORK VAULTS
MULTIPLE CONDUCTOR HANGER**

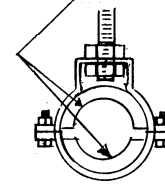


1. When fastening to steel beams, use beam clamps or request the building contractor to either drill the beams or weld the 1/2 inch rods or Unistrut channels to the beams.
2. Adjust the length of the hanger rods as required for changes in elevation.
3. All changes in elevation shall be gradual.
4. Adjust the width of the multiple conductor hanger as required - to a maximum of 30 inches.
5. Spacing between hangers shall be 24 inches to 36 inches (maximum) with all hangers in a single run being spaced equally.
6. Porcelain cable clamps shall be sized to be slightly loose on the cable, not tight.

PRIMARY CABLE HANGER



FOR LARGE CABLES, OMIT PORCELAIN SPOOL. AT THE END OF A CABLE RUN, INSTALL A 4 INCH PIECE OF PVC CONDUIT (SPLIT LENGTHWISE) TO PROVIDE A LARGER BEARING SURFACE.



SUPPORT AT END OF CABLE RUN

ORIGINATOR	STANDARDS COORDINATOR	STANDARDS SUPERVISOR	UNIT DIRECTOR
<i>Jim S. Horn</i>	<i>Charles L. Shaffer</i>	<i>John C. Kinner</i>	<i>Betty Robm</i>