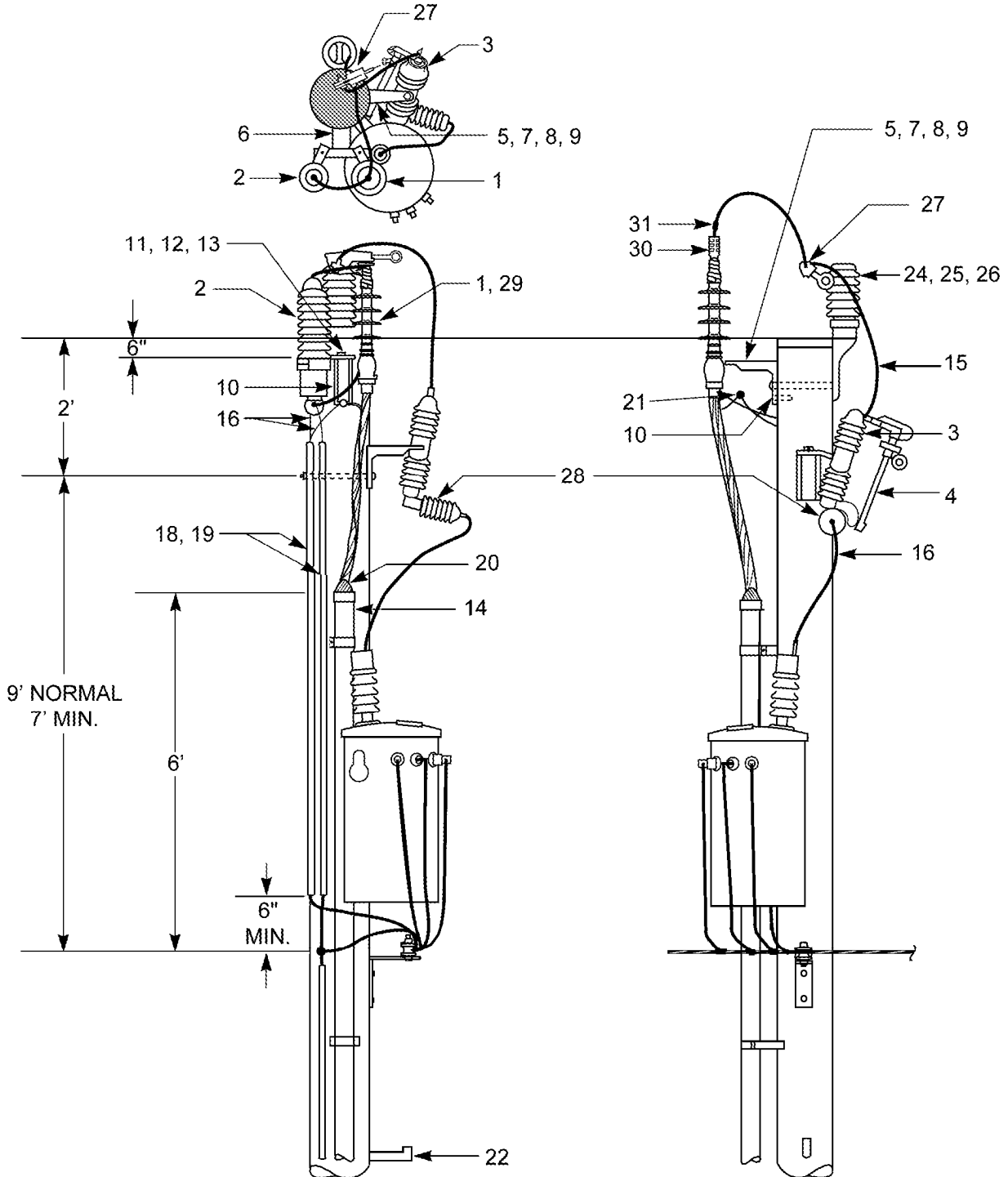


CONSTRUCTION GUIDELINE

POLE TERMINATION, 26 KV SINGLE PHASE UNDERGROUND SUPPLY TO OVERHEAD TRANSFORMER



ORIGINATOR

Jim S. Horn

STANDARDS COORDINATOR

Charles L. Shaffer

STANDARDS SUPERVISOR

John Skinner

UNIT DIRECTOR

Betty Robm

CONSTRUCTION GUIDELINE**POLE TERMINATION, 26 kV SINGLE PHASE
UNDERGROUND SUPPLY TO OVERHEAD TRANSFORMER****MATERIAL LIST**

ITEM	QUANTITY	DESCRIPTION	STOCK NO.
1	1	TERMINATOR, 27 kV, 1/0 Sol., cold shrink	686532
2	1	ARRESTER, SURGE, 17 kV MCOV, intermediate	680121
3	1	CUTOFF, 27 kV, ultra heavy duty	682099
4	1	FUSE link, K rated	per DU11-1
5	1	BRACKET, cutout mounting, pole	563222
6	1	BRACKET, arrester & terminator adapter	720638
7	2	BOLT, machine, galv, 5/8" x L	780838E thru 780846E
8	2	WASHER, flat, 2-1/4" X 2-1/4"	585135E
9	2	WASHER, coil spring lock, 3/4"	584267E
10	2	SCREW, LAG, 3/8" x 4"	785246E
11	2	SCREW, CAP, hex head, 5/8" x 2"	784889E
12	1	NUT, EYE, galv, 5/8:	565252E
13	1	WASHER, lock, galv, 5/8"	584260E
14	as req'd.	CONDUIT, PVC, Sked 40	734531
15	as req'd.	WIRE, #4 Cu. Sol. bare, soft drawn	610208
16	as req'd.	WIRE, #4 Cu. Sol. poly insul., soft drawn	611442
17	as req'd.	WIRE, braid, tinned Cu.	618624
18	as req'd.	MOULDING, plastic, 1/2"x 8'	582060E
19	as req'd.	STAPLES, moulding, 1/2" x 2"	583200E
20	as req'd.	COMPOUND, sealing	726294E
21	1	CONNECTOR, grounding, split bolt #1 AWG	668867E
24	1	INSULATOR, line post, 34.5 kV	690157
25	1	STUD, insulator, short, 1-3/4" x 3/4"	696826E
26	1	BRACKET, pole top	563253
27	1	CLAMP, hotline, copper 2/0 to #8	580725E
28	1	FAULT LIMITER	per DU11-1
29	1	BRACKET, termination support	563221
30	1	CONNECTOR, Compression, Pin Terminal, 1/0 S.	686056
31	1	CONNECTOR, Copper "C", #2 to #4	677325E

NOTES:

- (A) See Construction Guidelines U7-10 and U7-10.2 for conduit installation.
- (B) See Construction Guideline U7-10.9 for conduit grounding and Construction Guideline D16-2 and for pole grounding.
- (C) All equipment grounds shall be #4 Cu. polyethylene insulated, stock No. 611442.
- (D) See Construction Guidelines DU11-1 for fusing schedule.

CONSTRUCTION GUIDELINE

POLE TERMINATION, 26 KV SINGLE PHASE UNDERGROUND SUPPLY TO OVERHEAD TRANSFORMER

Grounding Diagram

