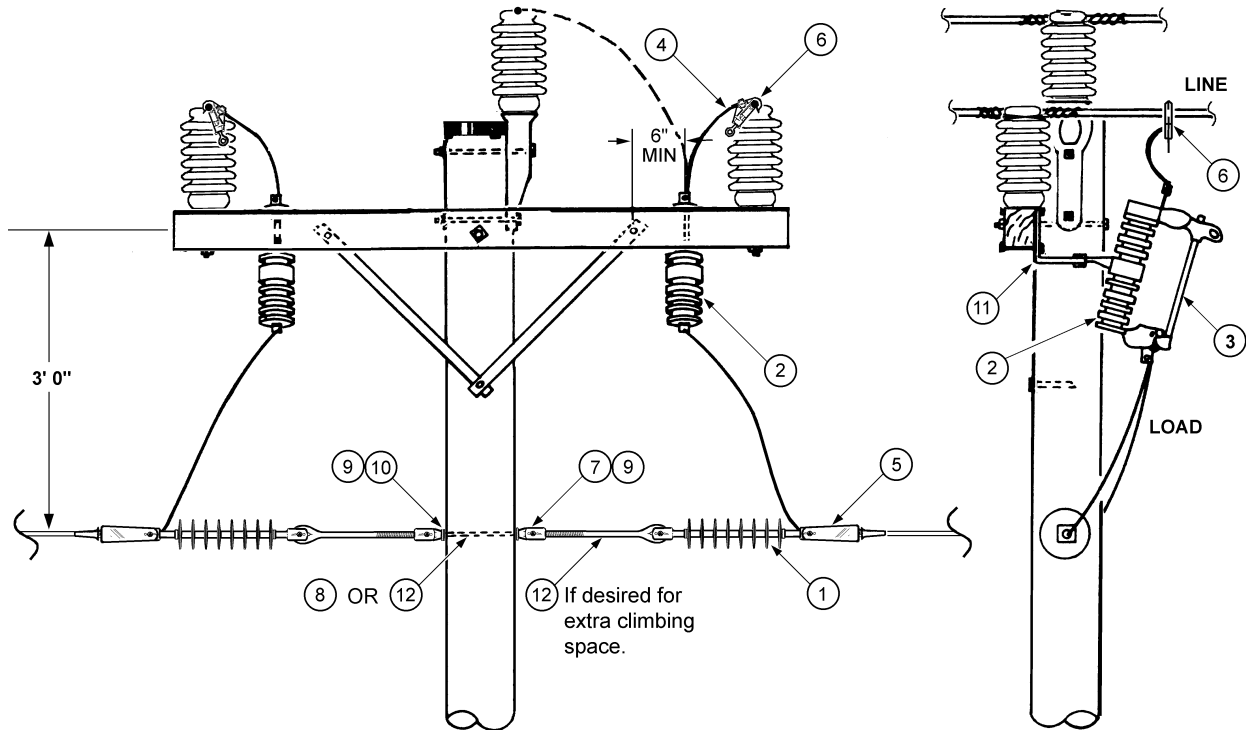


# CONSTRUCTION GUIDELINE

## 15/26 kV DISTRIBUTION SINGLE PHASE CORNER CONSTRUCTION From Three Phase Lead



### MATERIAL LIST FOR POLE MOUNTED DEADEND TAP

Item	Quantity	Description	Stock Number
1	2	INSULATOR, Composite, Deadend, 21"	690233
2	2	CUTOUT, 27 kV, polymer	013739
3	2	FUSE, "K" link, Size as Required	683713 E to 683724 E
4	16'	WIRE, #4 Cu. Solid Bare, Soft Drawn	610208
5	2	DEADEND, Auto, #4 Cu. Solid	581332 E
6	2	CLAMP, Hot line, Copper 2/0 to #8	580725 E
		400 to #6	580727
		STIRRUP for Aluminum (For Al-Cu, see D14-6) 397.5 to 954	580678
7	1	NUT, Eye, 5/8"	565252 E
8	1	BOLT, Machine, Galvanized, 5/8" x L	780844 E to 780850 E
9	2	WASHER, Plate, Galvanized, 2-1/4" x 2-1/4"	585135 E
10	1	WASHER, Coiled Spring, 5/8"	584261 E
11	2	BRACKET, Cutout Mounting. Crossarm	682097
12	As Req.	BOLT, Eye, Galvanized, 5/8" x L	561110 to 561122

STANDARDS COORDINATOR

STANDARDS SUPERVISOR

UNIT DIRECTOR

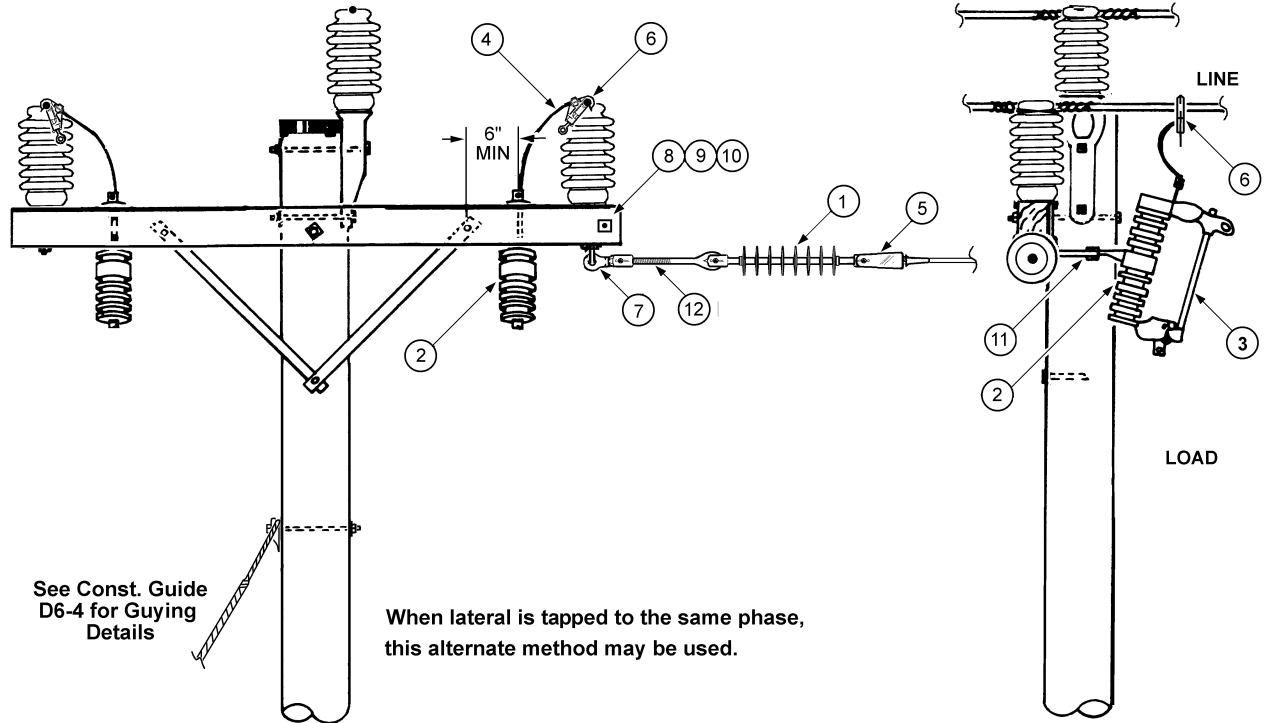
*Yaochiem Chao*  
Yaochiem Chao

*John Shipek*  
John Shipek

*Darnell Cola*  
Darnell Cola

# CONSTRUCTION GUIDELINE

## 15/26 kV DISTRIBUTION SINGLE PHASE CORNER CONSTRUCTION From Three Phase Lead



See Const. Guide  
 D6-4 for Guying  
 Details

When lateral is tapped to the same phase,  
 this alternate method may be used.

d9-60b.tif

### MATERIAL LIST FOR ARM MOUNTED DEADEND TAP - EYE NUT IN INSULATION STUD

Item	Quantity	Description	Stock Number
1	1	INSULATOR, Composite, Deadend, 21"	690233
2	1	CUTOUT, 27 kV, polymer	013739
3	1	FUSE, "K" link, Size as Required	683713 E to 683724 E
4	8'	WIRE, #4 Cu. Solid Bare, Soft Drawn	610208
5	1	DEADEND, Auto, #4 Cu. Solid	581332 E
6	1	CLAMP, Hot line, Copper 2/0 to #8	580725 E
		400 to #6	580727
6	1	STIRRUP for Aluminum (For Al-Cu, see D14-6) 397.5 to 954	580678
7	1	NUT, Eye, 5/8"	565252 E
8	1	BOLT, Machine, Galvanized, 5/8" x 6"	780836 E
9	2	WASHER, Plate, Galvanized, 2-1/4" x 2-1/4"	585135 E
10	1	WASHER, Coiled Spring, 5/8"	584261 E
11	1	BRACKET, Cutout Mounting, Crossarm	682097
12	1	BOLT, Eye, Galvanized, 5/8" x L	561110 to 561122