

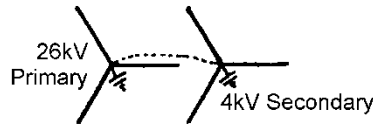
**15/26 kV Distribution Three-Phase Transformer Installation
Cluster Mounted, Pole Top**

25564 ground Y/14760 to 4160 ground Y/2400 volts

FOR REFERENCE ONLY – CONSTRUCTION STANDARD RESCINDED

Application:

For 26 kV overhead to 4 kV conversion banks.
For installations of 250 kVA transformers, a structural analysis shall be performed to insure compliance with NESC, Section 26.

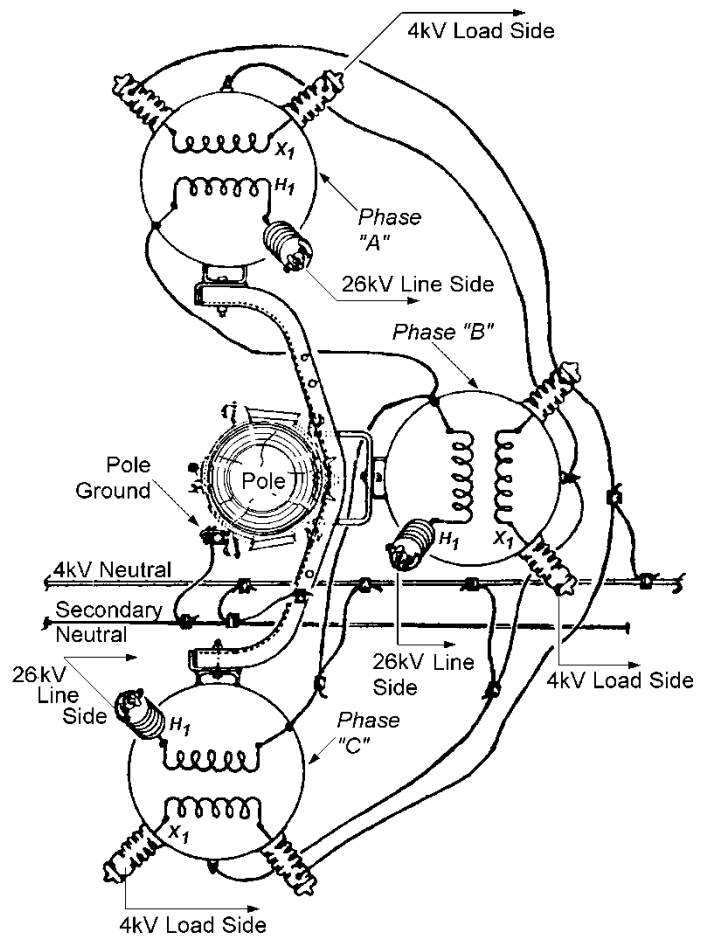


Notes:

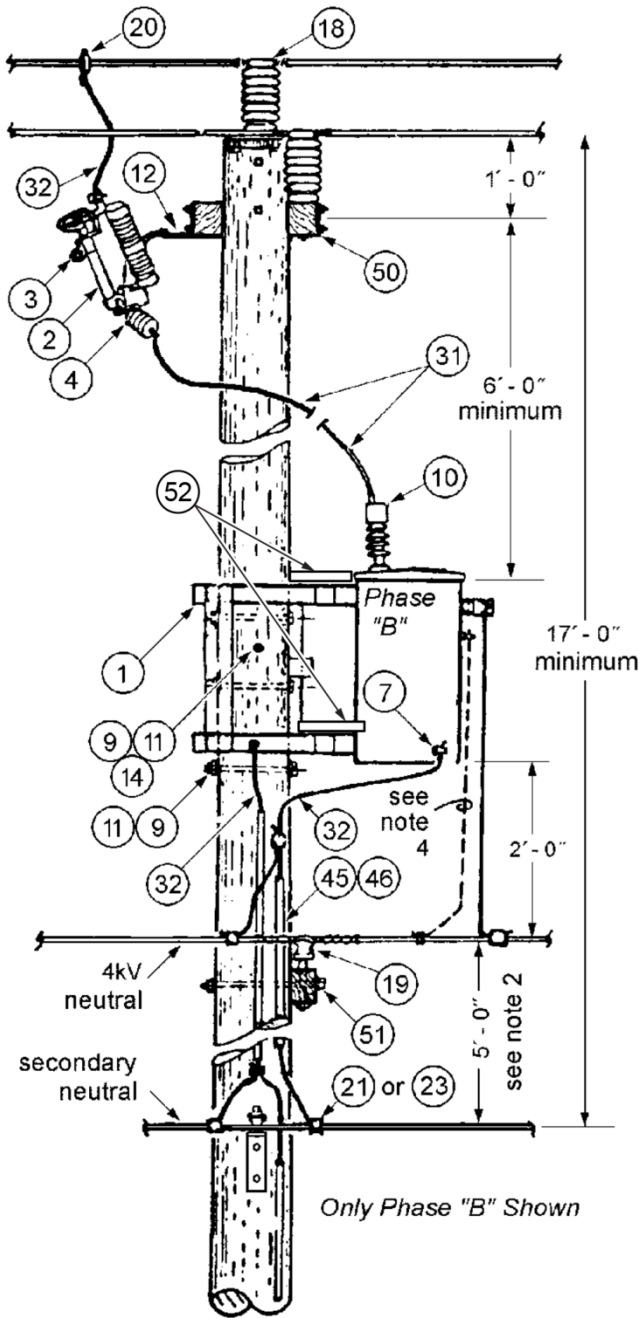
1. 4 kV neutral shall be tied to the secondary neutral and shall be placed on the pole under the moulding or in Schedule 40 PVC conduit.
2. Spacing between the 4 kV neutral and the secondary neutral to be 5 ft-0 in vertical except that in certain cases the vertical distance may be reduced to a minimum of 4 ft-0 in if space is not available.
3. Install red Scotchlite™ "Danger" decal on the bottom of the transformers (paint shop will furnish and install).

Stock No.: 765195.

4. For single phase (one transformer) installation, run one of the tank grounds direct to 4 kV neutral.
5. See Construction Guideline D16-2 for pole grounding.
6. See Construction Guideline DU11-1 for transformer fusing and primary limiter.
7. For all transformer bank poles, use a bolt (item 11) to prevent pole splitting.



Top View of Cluster Mounted Transformers



Construction Details

See Top View and Notes, page 1

Material List

Item	Qty	Description	Stock No.
1	1	BRACKET, transformer cluster mount for up to 7500 lb	563294
2	3	FUSE LINK, K rated, per DU11-1	03K 683706E 06K 683708E 10K 693710E 15K 683711E 25K 683713E
3	3	CUTOFF, 27 kV, ultra heavy duty	682099
4	3	FUSE, fault limiter, per DU11-1	"A" 684900 "B" 684902 12 K 684920
6	1	SCREW, lag, 1/2 in	785259E
7	3	CONNECTOR, transformer grounding	676200
9	6	WASHER, curved square zinc coated, 4 in x 4 in	584775E
10	3	BIRD GUARD (See D15-1)	580776
11	1	MACHINE BOLT, zinc coated, 5/8 in x L	12 in. L 780845E 14 in. L 780846E 16 in. L 780847E 18 in. L 780848E 20 in. L 780849E
12	3	BRACKET, cutout mounting, crossarm	682097
14	1	WASHER, double coil lock	584261E
18	3	INSULATOR, line post with studs	690157
19	4	INSULATOR, pin type, 4 kV	690005E
20	3	CLAMP	hot line 1/0 to #8 580725E copper 400 to #6 580727 stirrup for aluminum 397.5 to 954 580678
21	5*	CONNECTOR	#4 to #4 677323E Cu to Cu, crimpet #2 to #2 677326E
23	2*	CONNECTOR	#4 to #4 677323E Cu to Cu, crimpet #2 to #2 677326E Amfact (See D14-1 for sizes and ranges) 651090 to 651109
31	40'	WIRE, #4 copper solid, poly insulated, soft drawn	611442
32	40'	WIRE, #4 copper solid, bare, soft drawn	610208
45	32'	MOULDING, plastic	582060E
46	50*	STAPLES, moulding, 1/2 in x 2 in	583200E
50	1*	CROSSARM, Douglas fir, treated, 6 ft 4 pin primary feeder	540205
51	1*	CROSSARM, Douglas fir, treated, 10 ft 8 pin, 26 kV	540220
52	4	Stabilizing braces	563291

* Quantities listed with an asterisk (*) are variable due to modifications of design or due to field conditions.