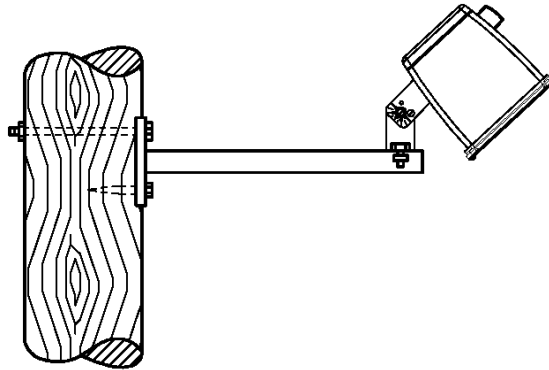


---

## Floodlight Installation, Single and Cluster-Mount on Wood Pole



---

### 1. Scope

This standard covers requirements for installing single and cluster-mounted LED floodlights on wood poles.

Wall-mount installations are outside the scope of this standard.

Clearances and wiring are outside the scope of this standard.

---

### 2. Application

This standard provides direction to customers, contractors, Seattle City Light (SCL) crews, and SCL engineering regarding proper installation of floodlights on wood poles.

Installation on metal poles is not allowed.

---

### 3. Requirements

#### 3.1 General

All brackets shall be effectively grounded.

The installation date of the photoelectric control shall be marked on its base using a permanent ink marking pen.

Photoelectric control shall be north-facing.

Floodlights have an optimal mounting height of 28 ft.

The minimum clearance is 4 inches between any streetlight equipment and communication equipment.

### 3.2 Single Floodlights

Installation requirements for a single floodlight are shown in Figure 3.2.

**Figure 3.2. Single Floodlight Installation**



**Table 3.2. Single Floodlight Material List**

Item	Quantity	Description	Stock No.
1	1	Bolt, 5/8" x length	As required
2	1	Washer, 2-1/4" square	585135
3	1	Lag, 1/2" x 4" fetter drive	785261
4	1	Bracket, floodlight	568044
5	1	Screw, cap, 5/8" x 1-1/2"	784887
6	1	Washer, 5/8" split lock	788126
7	1	Floodlight, LED	014454
8	1	Photocontrol, 20-year design life	013129
9	As required	Conduit, flexible, liquidtight, non-metallic	013544
10	As required	Wire, 600 V, PVC jacket, 1-3/C, #12	014172
11	As required	Staple, galvanized, 2" x 5/8"	013517
12	As required	Wire, THWN, 600 V, copper, #8 AWG	612277
13	3	Clamp, parallel groove, bolted	652020
14	1	Lug, setscrew	012564
15	1	Screw, self-drilling, hex washer head, 3/8" x 3/4"	012565
16	As required	Cable, ACSR, overhead, triplex, #6 AWG	013271

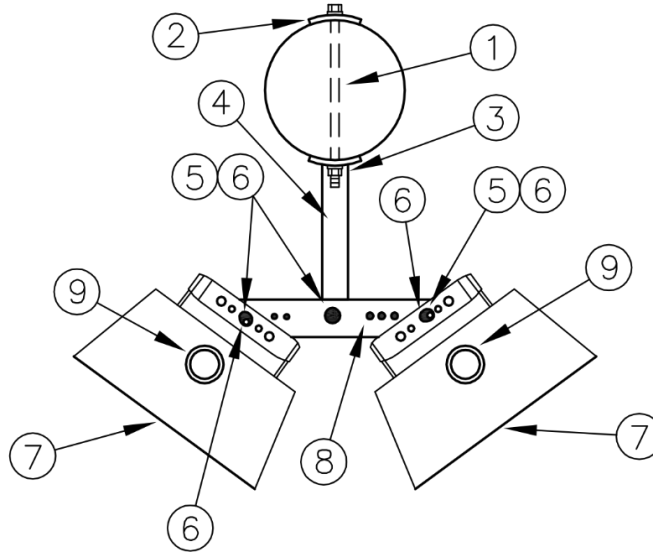
### 3.3 Cluster-Mount Floodlights

Installation requirements for cluster-mount floodlights are shown in Figure 3.3.

Service shall be fed through 1/2-in conduit.

Requirements for grounding, conduit, and clearances are shown in Figure 3.2.

**Figure 3.3. Cluster-Mount Floodlight Installation**



**Table 3.3. Cluster-Mount Floodlight Material List**

Item	Quantity	Description	Stock No.
1	1	Bolt, 5/8" x length	As required
2	1	Washer, 2-1/4" square	585135
3	1	Lag, 1/2" x 4" fetter drive	785261
4	1	Bracket, floodlight	568044
5	3	Screw, cap, 5/8" x 1-1/2"	784887
6	5	Washer, 5/8" split lock	788126
7	2	Floodlight, LED	014454
8	1	Plate, double arming	582665
9	2	Photocontrol, 20-year design life	013129
10	As required	Conduit, flexible, liquidtight, non-metallic	013544
11	As required	Wire, 600 V, PVC jacket, 1-3/C, #12	014172
12	As required	Staple, galvanized, 2" x 5/8"	013517
13	As required	Wire, THWN, 600 V, copper, #8 AWG	612277
14	3	Clamp, parallel groove, bolted	652020
15	1	Lug, setscrew	012564
16	1	Screw, self-drilling, hex washer head, 3/8" x 3/4"	012565
17	As required	Cable, ACSR, overhead, triplex, #6 AWG	013271

#### 4. Sources

**Chao, Yaochiem**; SCL Standards Engineer, originator, and subject matter expert for 1713.12 (yaochiem.chao@seattle.gov)

**SCL Construction Standard D12-20** (canceled); "Floodlight Installation Details, Direct Pole Mount"

**SCL Construction Standard D12-21** (canceled); "Floodlight, Cluster Mount"

**Winchester, Hillary**; SCL Joint Use Engineer and subject matter expert for 1713.12 (hillary.winchester@seattle.gov)