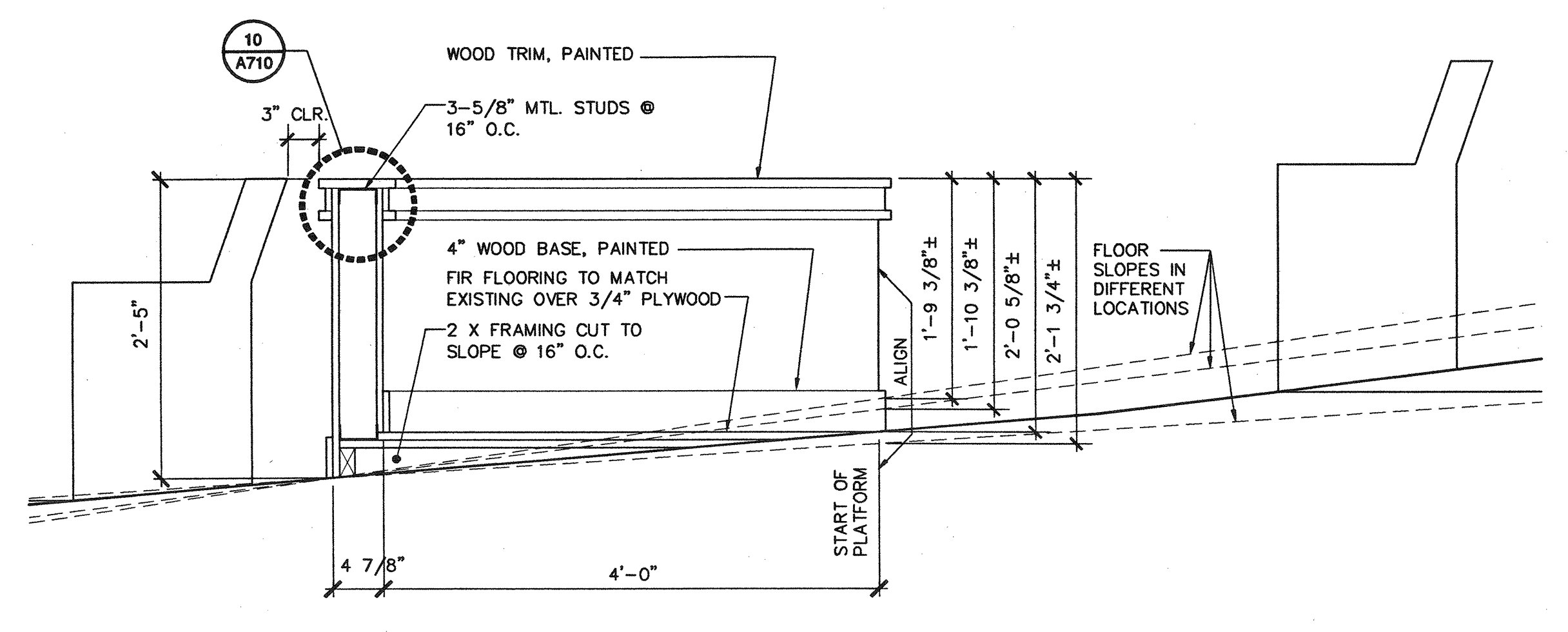
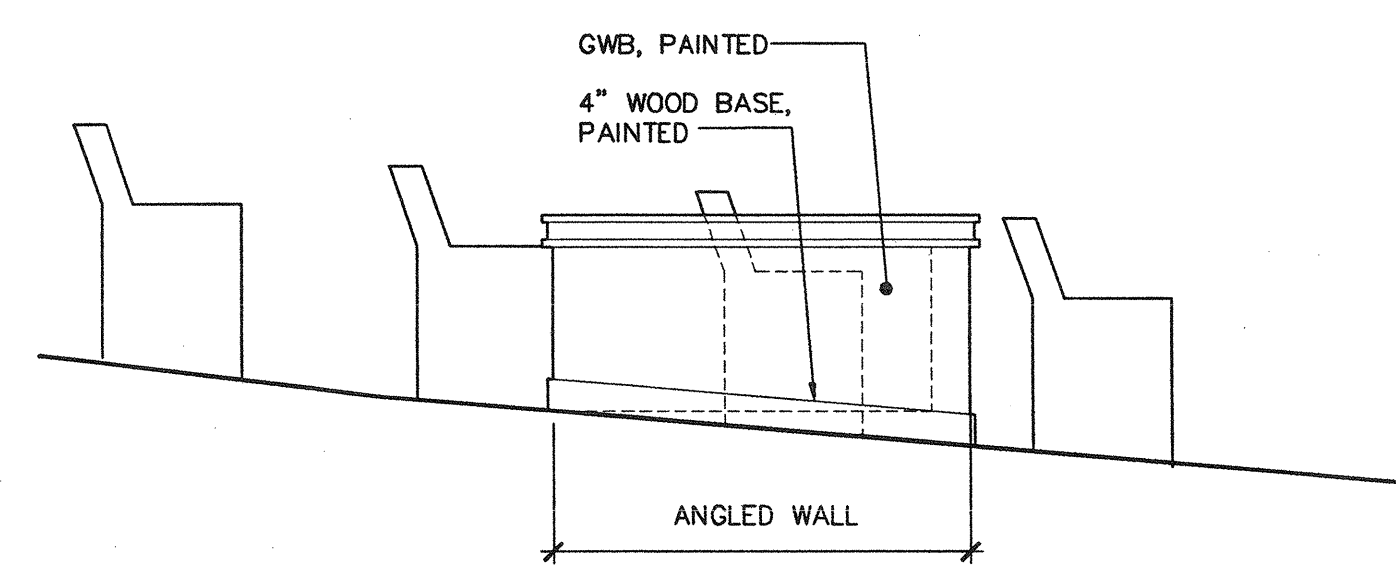


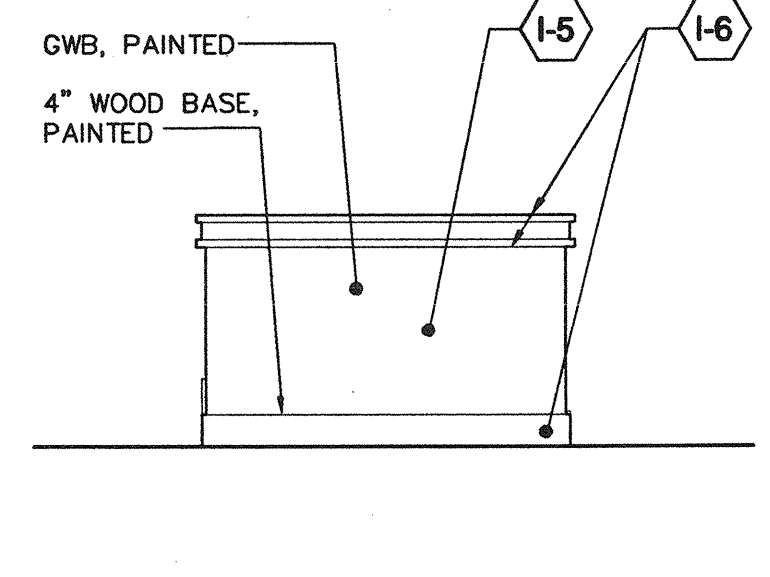
**1 THEATER SEATING ENLARGED PLAN**  
SCALE: 1/2" = 1'-0"  
spcc-501.dwg



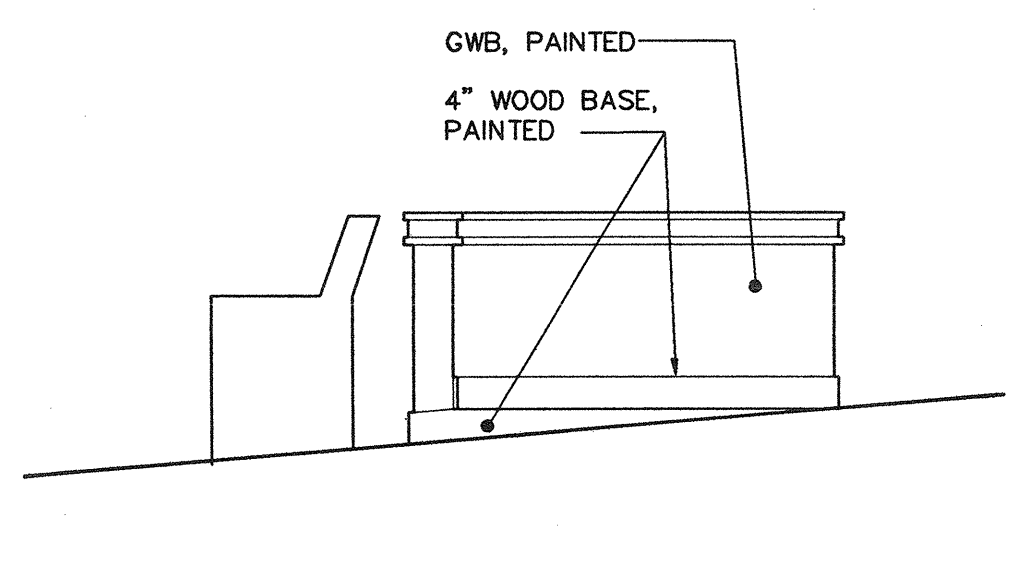
**2 THEATER SEATING ENLARGED SECTION**  
SCALE: 1" = 1'-0"  
spcc-501.dwg



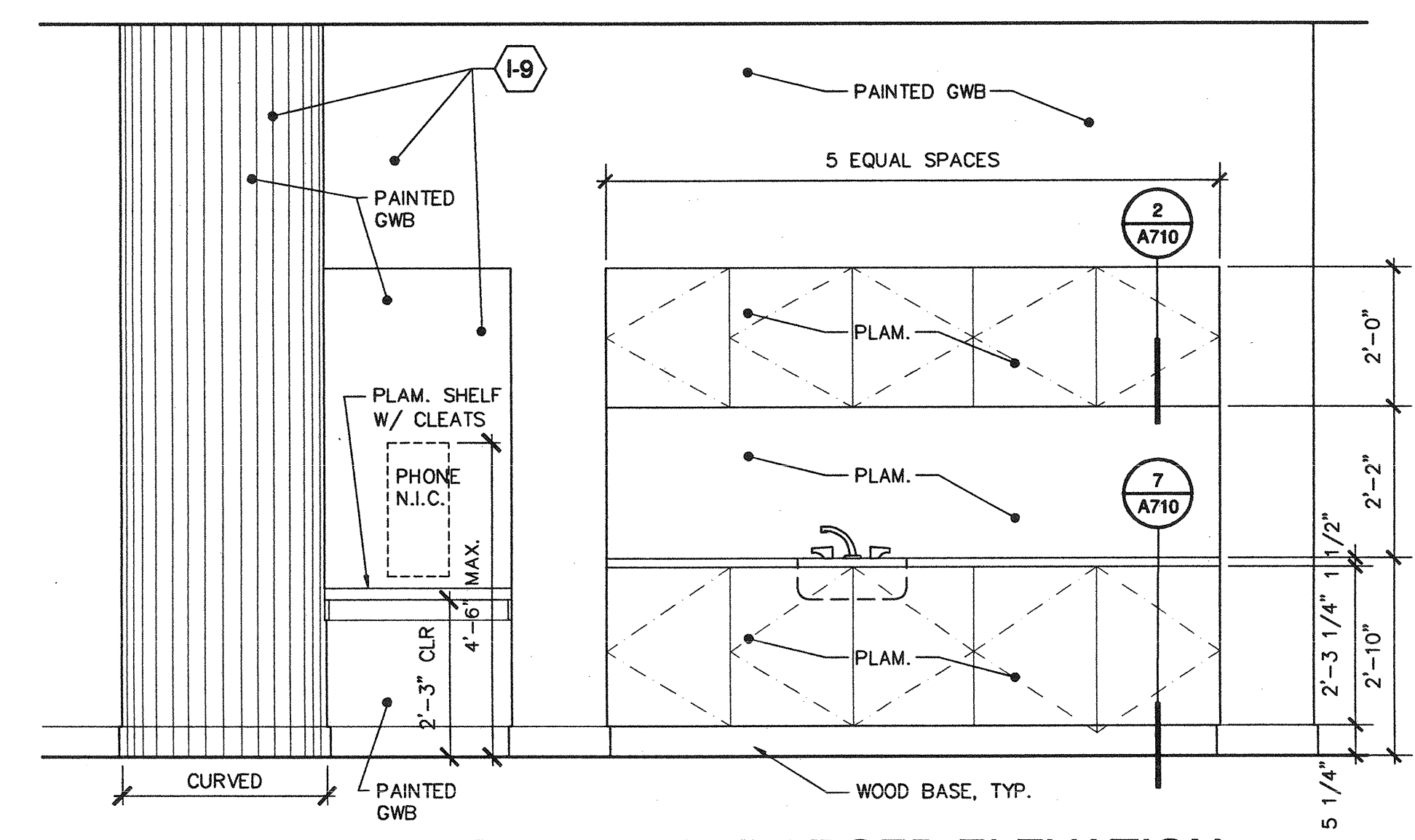
**5 THEATER SEATING ENLARGED ELEVATION**  
SCALE: 1/2" = 1'-0"  
spcc-501.dwg



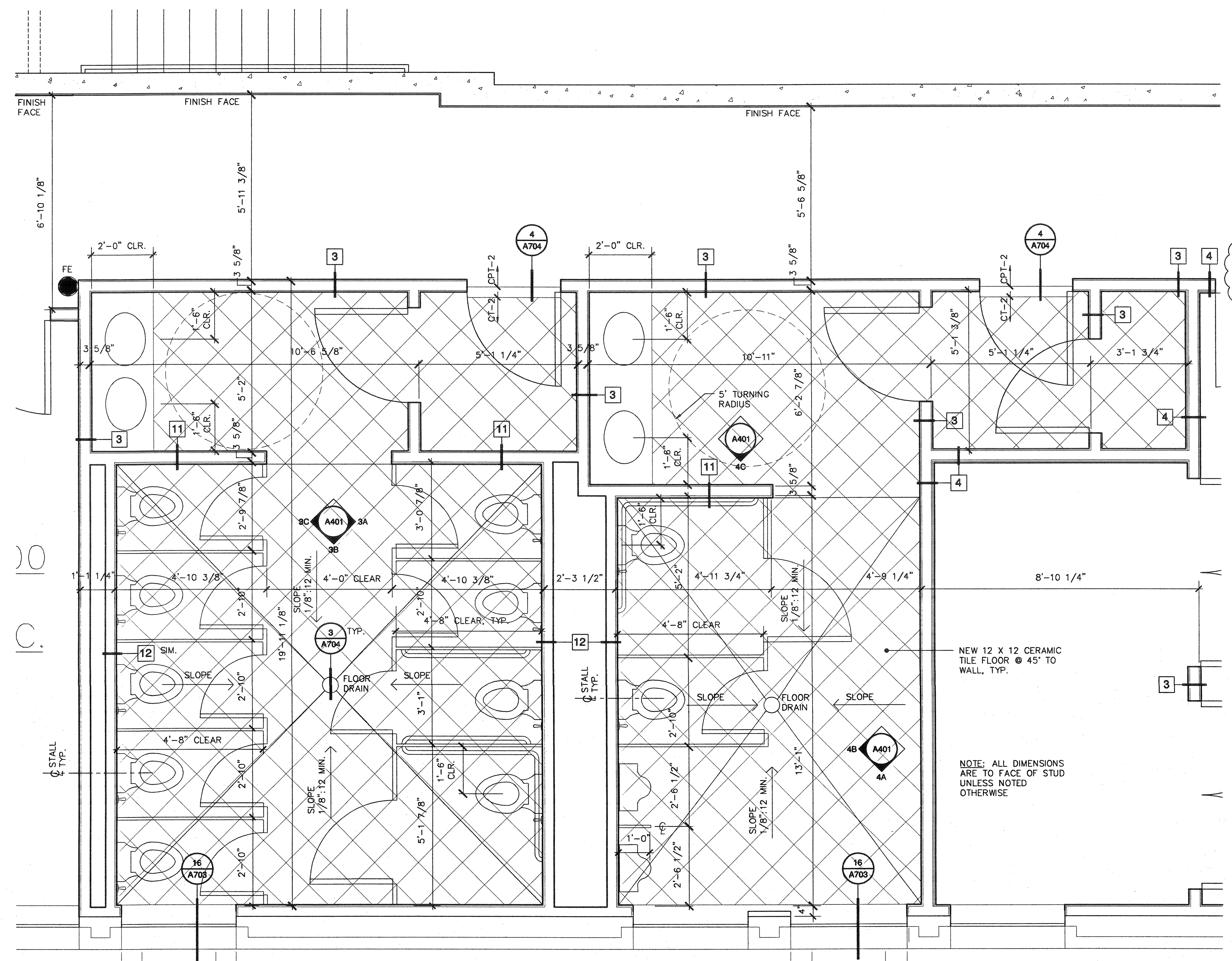
5B



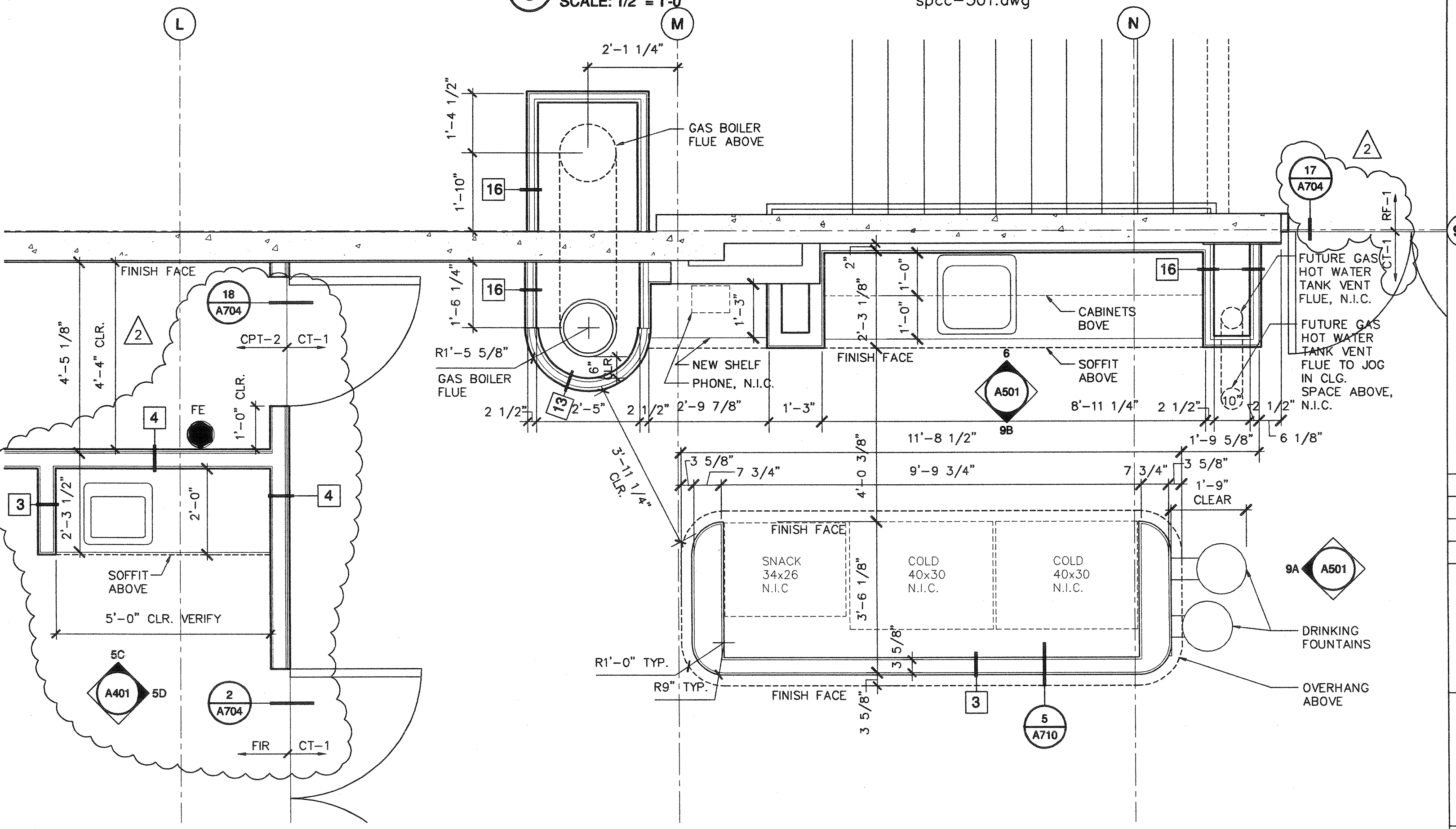
5C



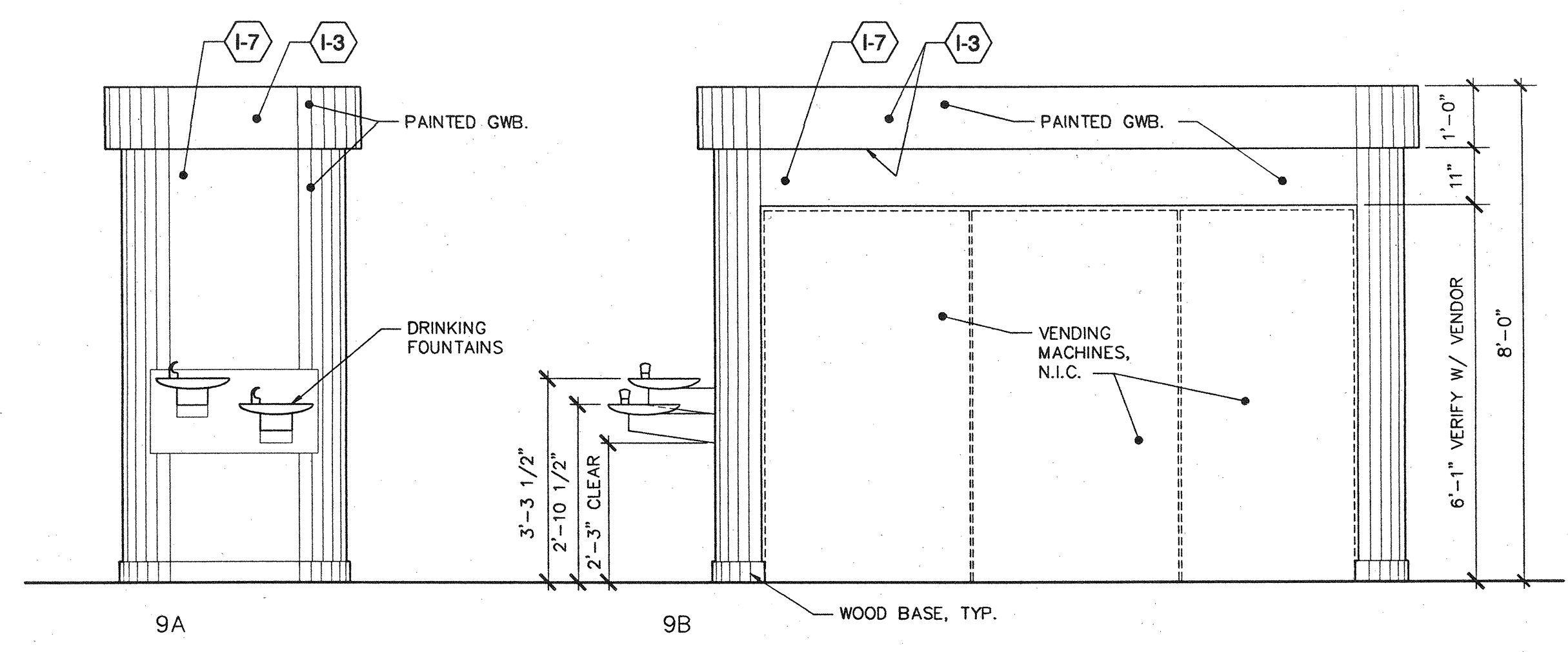
**6 LOUNGE SERVICE BAR - ENLARGED ELEVATION**  
SCALE: 1/2" = 1'-0"  
spcc-501.dwg



**8 RESTROOMS - ENLARGED PLAN**  
SCALE: 1/2" = 1'-0"  
spcc-501.dwg



**7 LOUNGE SERVICE ISLAND - ENLARGED PLAN**  
SCALE: 1/2" = 1'-0"  
spcc-501.dwg



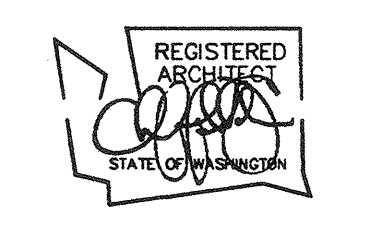
**9 LOUNGE SERVICE ISLAND - ENLARGED ELEVATIONS**  
SCALE: 1/2" = 1'-0"  
spcc-501.dwg

**PAINT SCHEDULE**

- (I-1) PAINT COLOR: PRATT & LAMBERT 2314 SEED PEARL
- (I-2) PAINT COLOR: PRATT & LAMBERT 1297 DIAMOND
- (I-3) PAINT COLOR: SHERWIN WILLIAMS 2395 RAINY DAY
- (I-4) PAINT COLOR: PRATT & LAMBERT 1315 OPHITE
- (I-5) PAINT COLOR: PRATT & LAMBERT 2319 WITCHING HOUR
- (I-6) PAINT COLOR: PRATT & LAMBERT 2014 BRANDYWINE
- (I-7) PAINT COLOR: ZOLOTONE ILLUMINATIONS ZFX-JF135
- (I-8) PAINT COLOR: ZOLOTONE ILLUMINATIONS ZFX-ID136
- (I-9) PAINT COLOR: ZOLOTONE ILLUMINATIONS ZFX-FJ112
- (I-10) PAINT COLOR: PRATT & LAMBERT 2316 HEARTHSTONE

**ARAI/JACKSON**  
Architects & Planners  
1601 East John • Seattle, WA 98112  
Tel: 206-323-8800 Fax: 206-323-8518

**CONSTRUCTION DOCUMENTS**  
BID SET



NO.	REVISION - AS BUILT	DATE
3	OWNER REVISIONS	4/24/03
1	PERMIT CORRECTIONS	7/15/02

REVIEWED: PARK ENGINEER DATE  
All work done in accordance with the City of Seattle Standard Plans and Specifications in effect on the date shown above, and supplemented by Special Provisions.

**SAND POINT**  
MAGNUSON PARK  
COMMUNITY RECREATION CENTER  
BUILDING 47

**ENLARGED PLANS & ELEVATIONS**

DESIGNED	KS, MB	DATE	APR. 24, 2003
DRAWN	KS, MB, MO	DESIGN REVIEW	
CHECKED	GO, JA		
ORDINANCE NO.	119812 & 119987		
CONTRACT NO.	1616	SHEET	23 OF 76
SCALE	AS NOTED		