

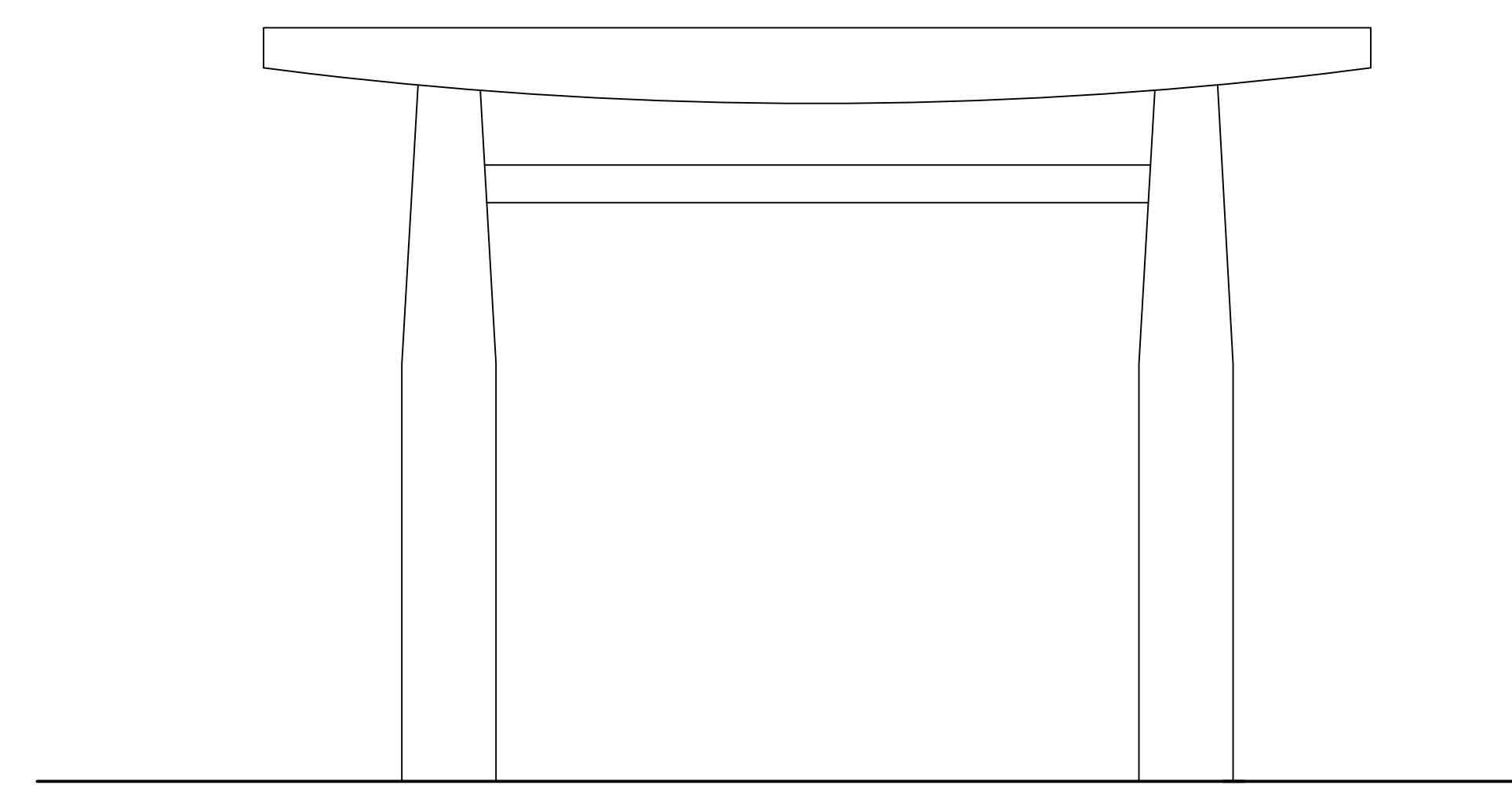
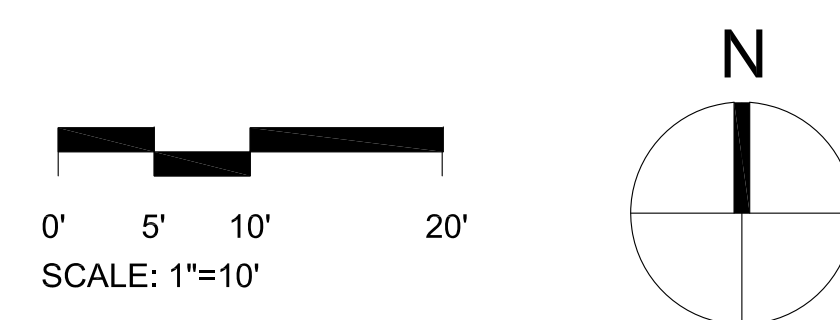
1 SITE PLAN
1"=10'-0"



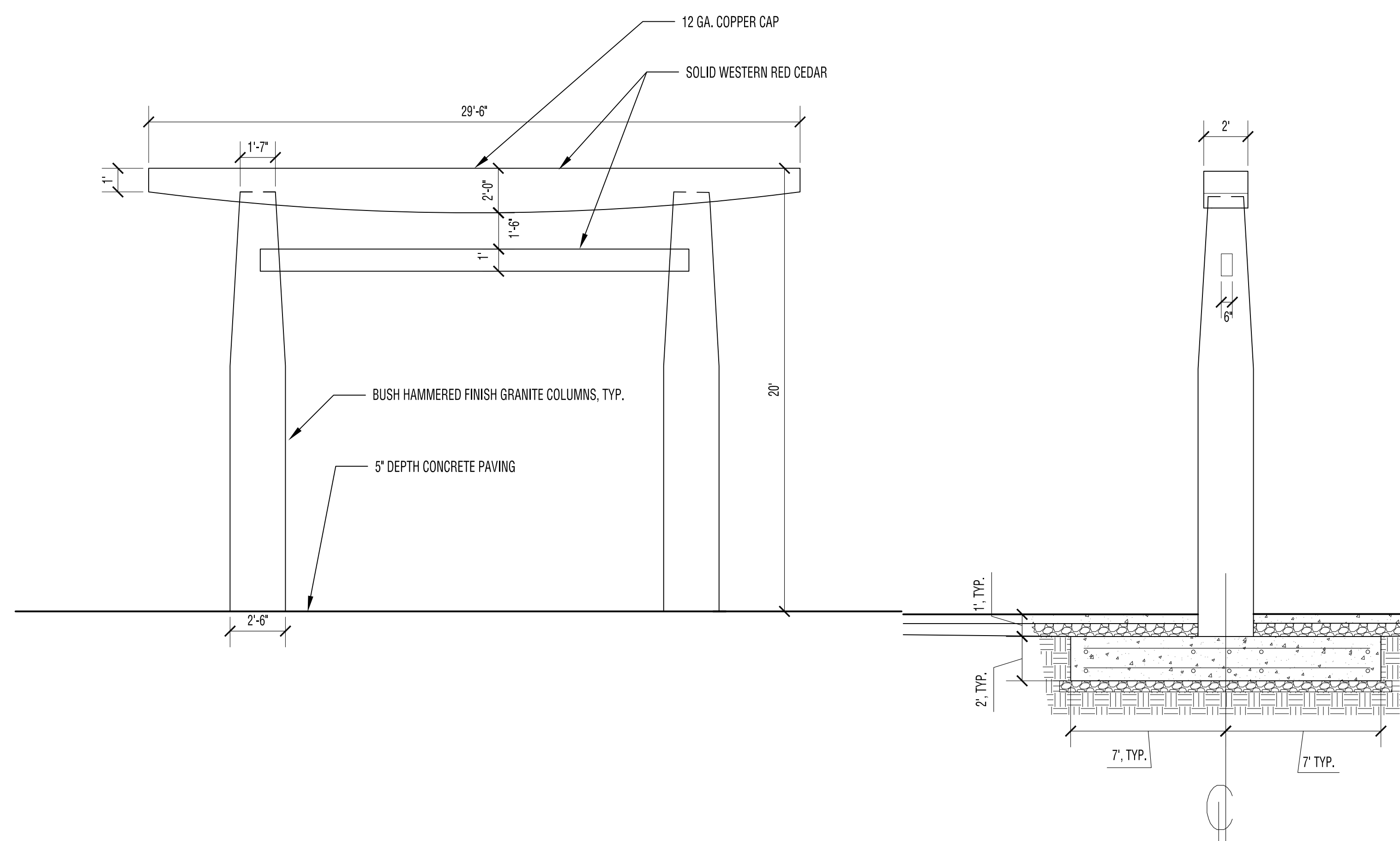
TORII PAVING-REVISED LOCATION

1655 SF PAVING

9/22/2014



A ELEVATION
1/4" = 1'-0"



B DIMENSIONED ELEVATION
1/4" = 1'-0"

C SECTION
1/4" = 1'-0"