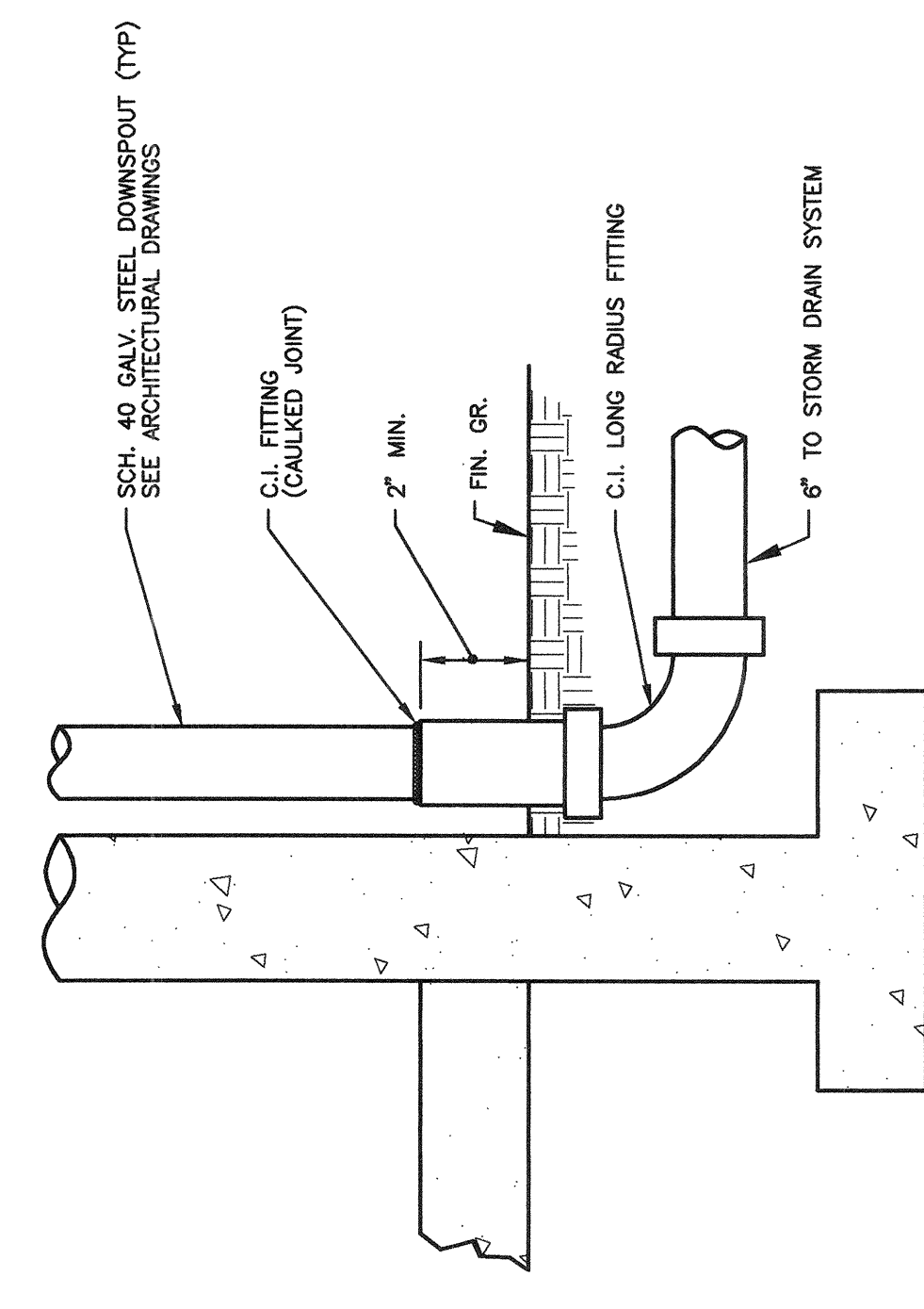


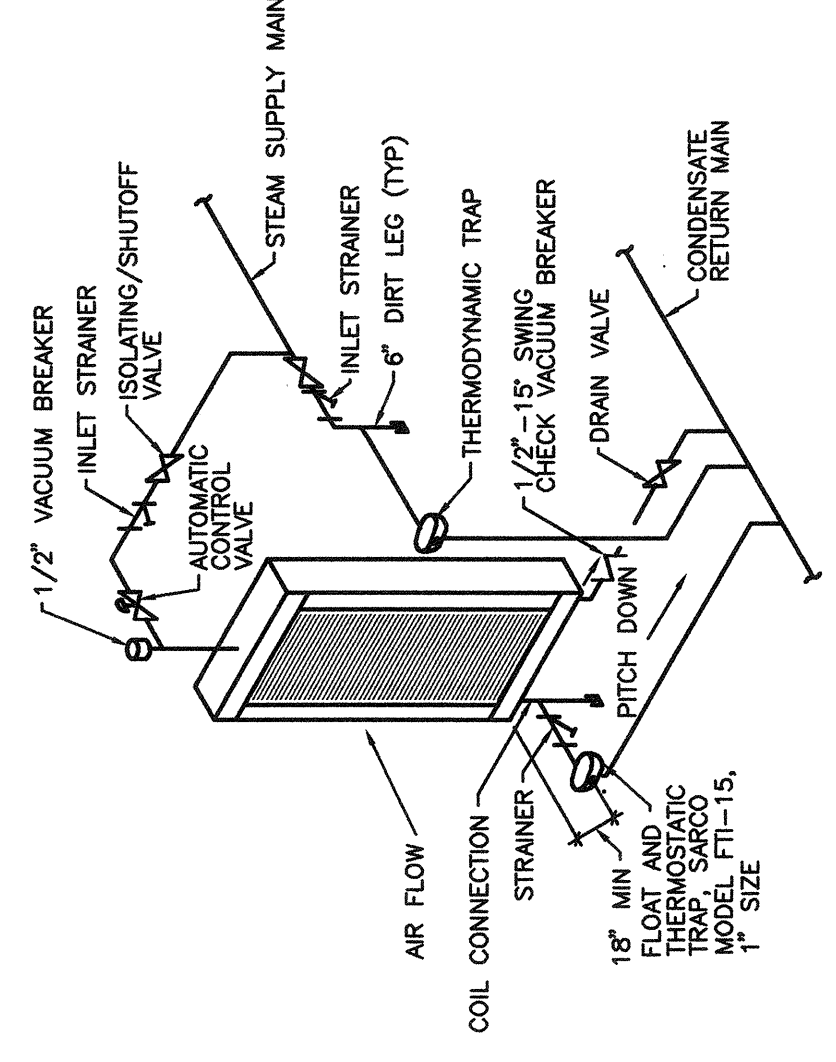
1 PIPE IDENTIFICATION DETAIL  
N307 NO SCALE

**SIZE OF LEGEND LETTERS AND ARROWS**

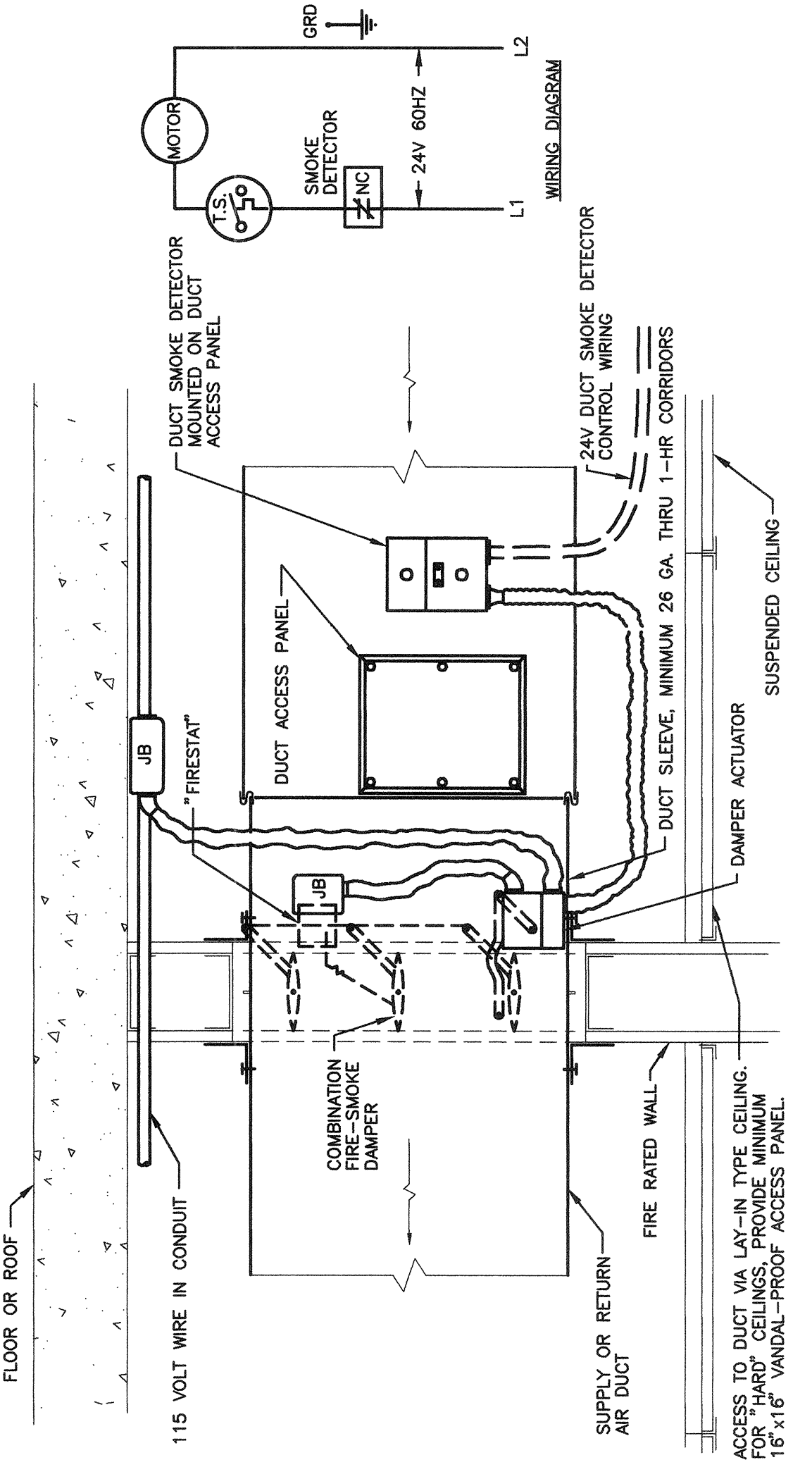
OUTSIDE DIAMETER (INCHES)	MINIMUM LENGTH OF FIELD A (INCHES)	SIZE OF FIELD B (INCHES)	SIZE OF FIELD C x D (INCHES)
3/4 TO 1 1/4	6	1/2	2 x 1/2
1 1/2 TO 2	8	3/4	4 x 3/4
2 1/1 TO 6	12	1 1/4	6 x 1 1/2



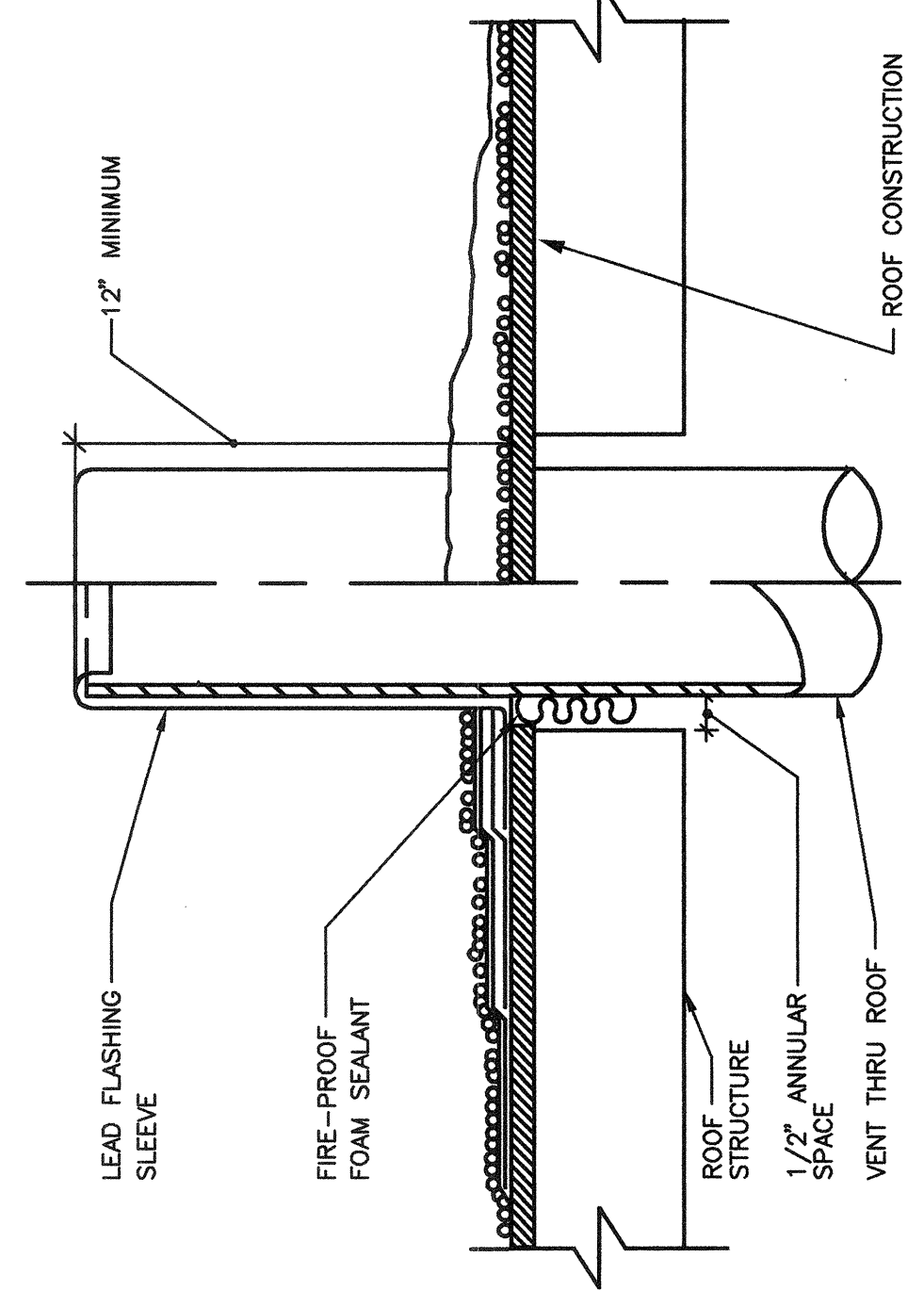
2 DOWNSPOUT CONNECTION DETAIL  
N307 NO SCALE



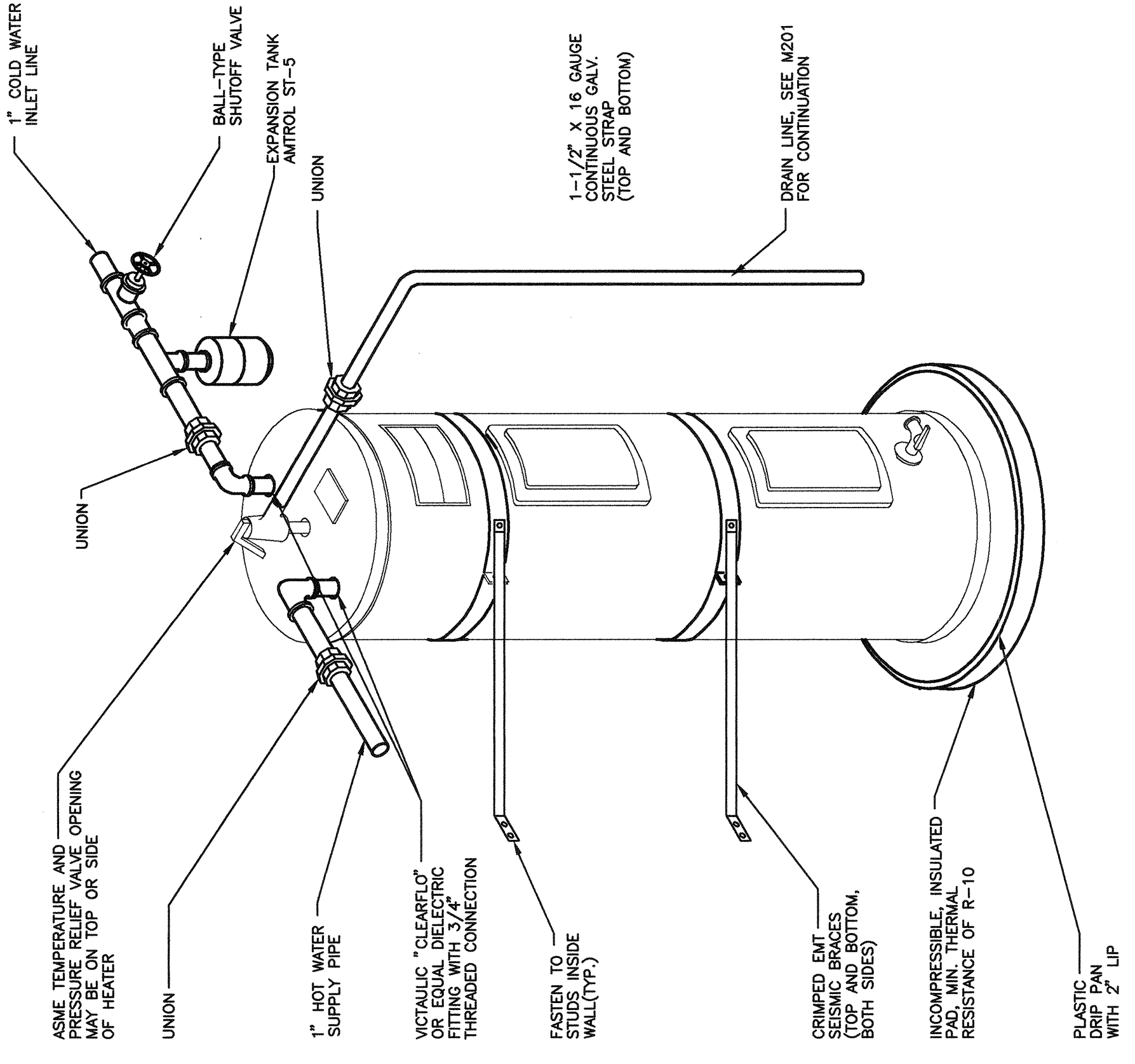
3 TYPICAL STEAM COIL PIPING SCHEMATIC  
N307 NO SCALE



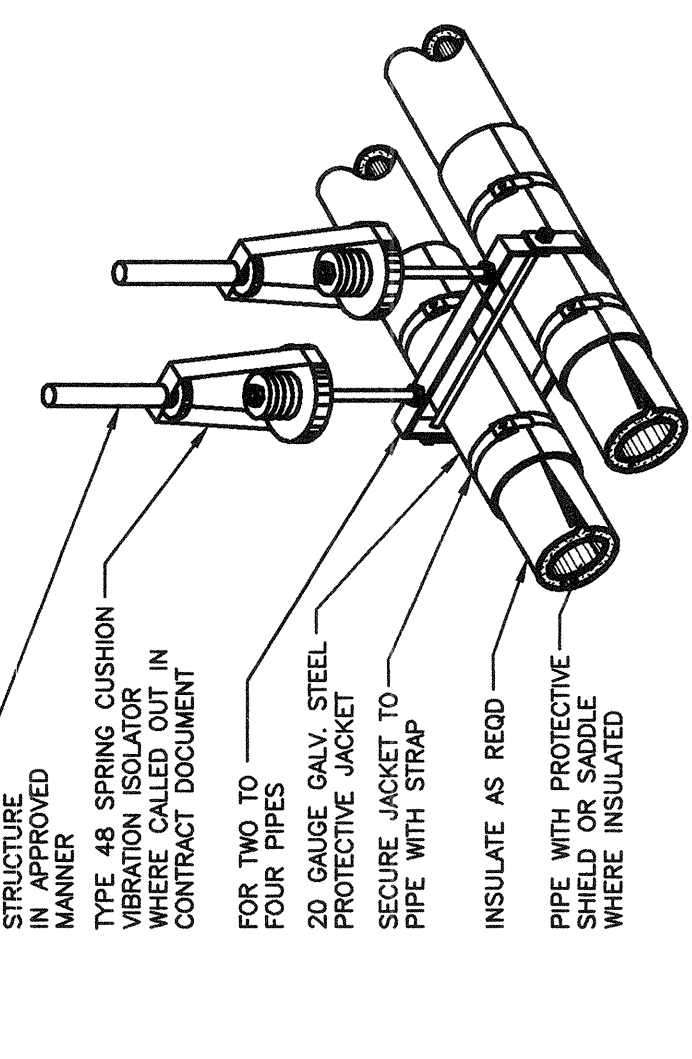
4 COMBINATION FIRE/SMOKE DAMPER DETAIL  
N307 NO SCALE



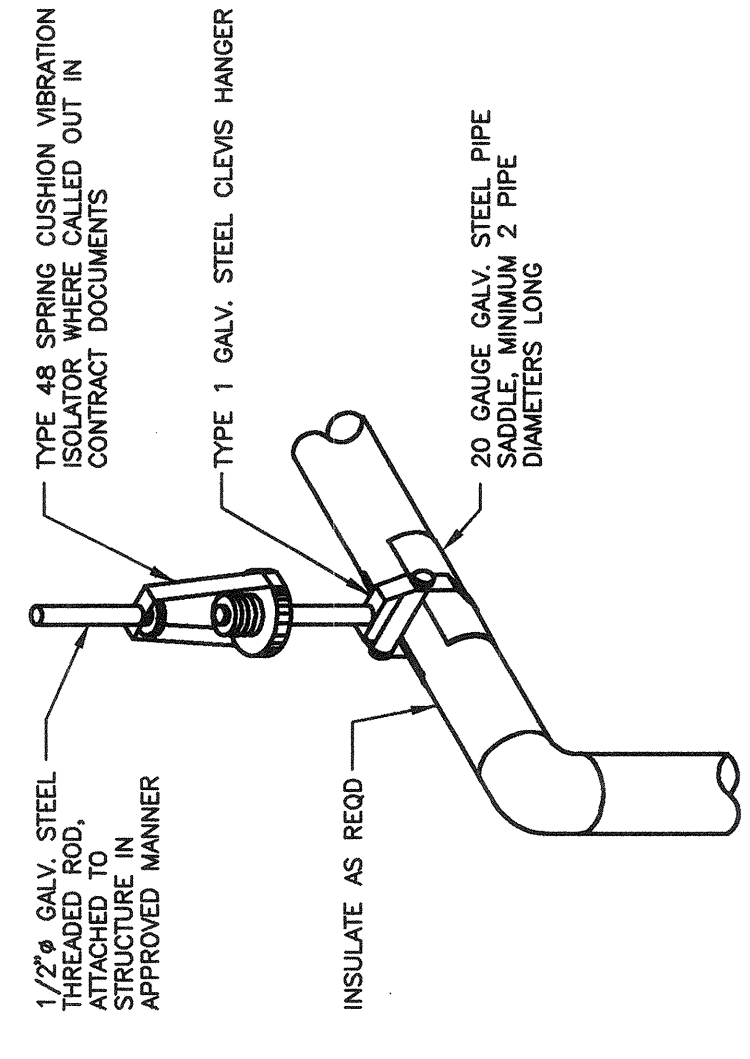
5 VENT THRU ROOF DETAIL  
N307 NO SCALE



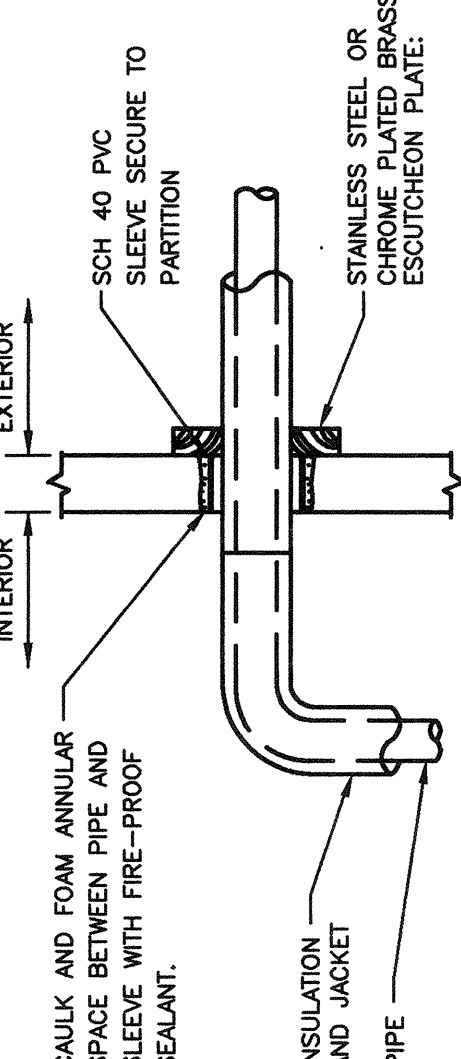
6 ELECTRIC WATER HEATER RETROFIT DETAIL  
N307 NO SCALE



7 MULTIPLE PIPE SPRING TYPE HANGER  
N307 NO SCALE



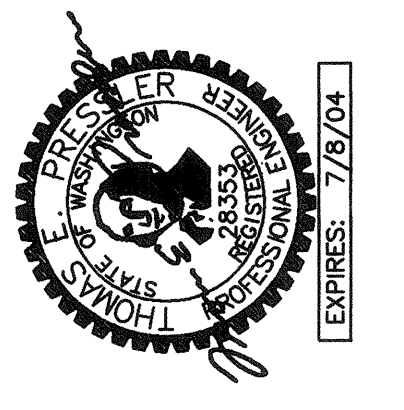
8 SINGLE PIPE SPRING-TYPE HANGER  
N307 NO SCALE



9 PIPE PENETRATION THRU WALL DETAIL  
N307 NO SCALE



CONSTRUCTION DOCUMENTS  
BID SET



NO.	REVISION - AS BUILT	DATE
3	BID SET	12/11/02
2	PERMIT CORRECTIONS	7/19/02
1	REVISION - AS BUILT	

REVIEWED: PARK ENGINEER DATE  
11/5/03  
All work done in accordance with the City of Seattle Standard Plans and Specifications in effect on the date shown above, and supplemented by Special Provisions.



17928 BOTHELL EVERETT HWY SE, SUITE H  
BOTHELL, WASHINGTON 9802  
(425) 481-7735 FAX (425) 481-7692  
CONTACT: MIKE HENABY  
JOB NUMBER: 023261

SAND POINT  
MAGNUSON PARK  
COMMUNITY RECREATION CENTER  
BUILDING 47

MECHANICAL DETAILS

DESIGNED	KWB	DATE	JULY 23, 2002
DRAWN	CEA <td>DESIGN REVIEW</td> <td></td>	DESIGN REVIEW	
CHECKED	TEP		
ORDINANCE NO.	119812 & 119887		
CONTRACT NO.	1818	SHEET	57 OF 76
SCALE	NO SCALE		